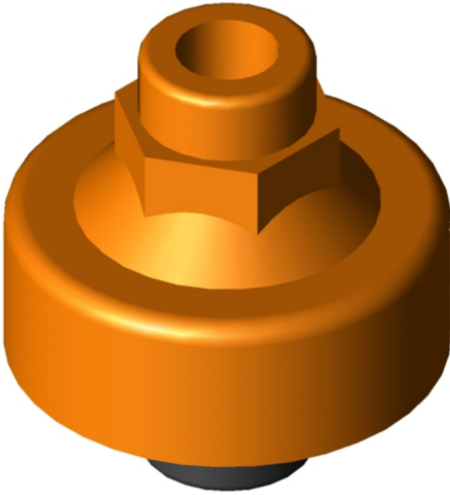


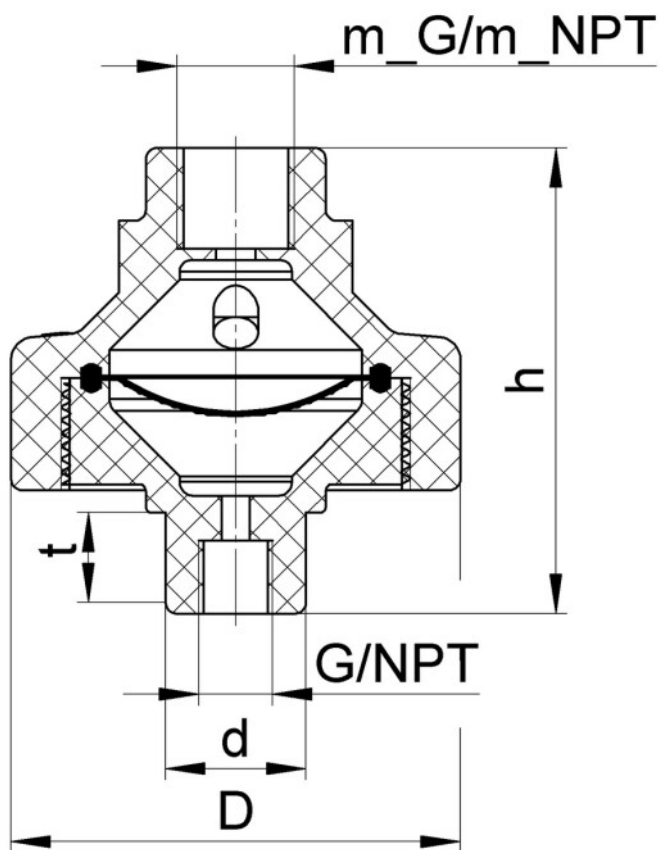
## Diaphragm pressure gauge guard MDM 902

### PVC-U | PTFE | DN20 | PVC-U spigot end (fix)/Female thread

Item-No.: 212970 / Weight: 0.177 kg / Customs Tariff No.: 902690



Display range Pressure gauge	0 bar
Material class	PVC-U
Material sealing element	PTFE
PN	10
Connection	PVC-U spigot end (fix)/Female thread
Cleaning	-
DN	20 mm
Colour	orange
Thread upper part	G 1/4"
Thread lower part	G 1/4"
Pressure gauge	-
Execution pressure gauge	-
Outer diameter pressure gauge	0 mm
Transmitter fluid	-
execution DMU	-



## Dimensions

d	25 mm
D	80 mm
G	¼ Zoll
m_G	¼ Zoll
t	13 mm
h	86 mm