

# AP 2/730 EB

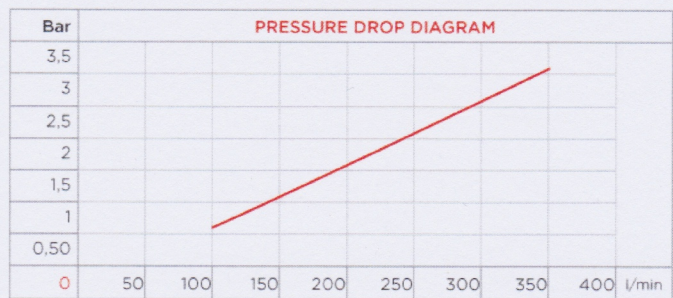
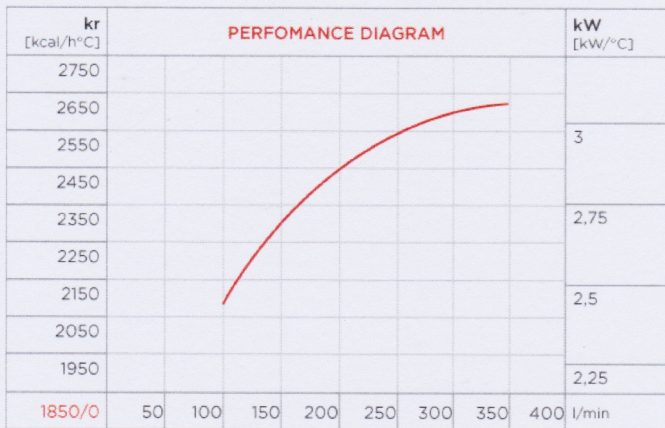


## PURCHASE CODES

AP 2/730 EB three-phase **3RAP2/730EB**

## SPARE PARTS

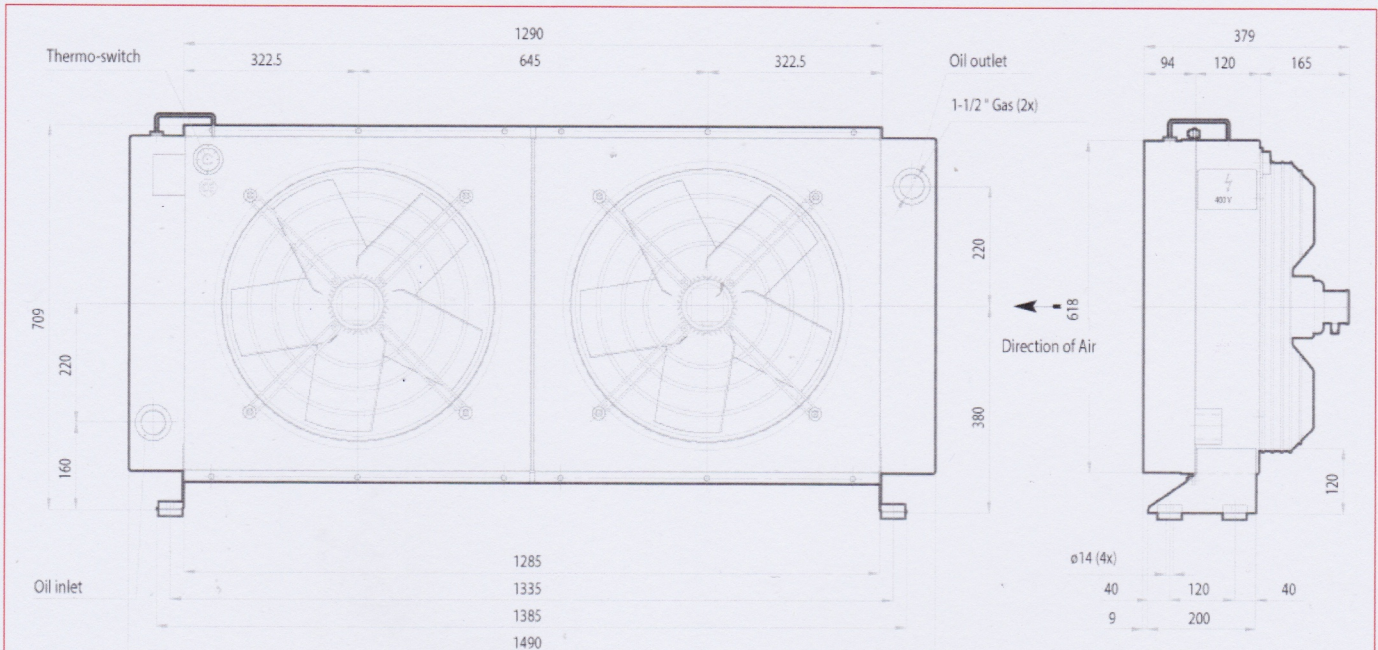
Thermo-switch	1TRM0-90
Shock isolating mounting (4 pcs)	3KIT4232
Electric junction box	1CSSDSAREL
Cooling element	1RO02357
Electric fan	1VNA4D500DV
Frame	3CNAP2/730EB.1



**CORRECTION FACTOR**

cSt	22	30	46	68	100	150	220
f	0,6	1	1,5	2,3	3,5	5	7

Dimensions and technical characteristics are not binding



OIL FLOW	CAPACITY	VOLTAGE	FREQUENCY	POWER	CURRENT	AIR FLOW	PROTECTION	NOISE LEVEL	WEIGHT	ø FAN
l/min	l	V	hz	W	A	m³/h	IP	dB(A)	kg	mm
100-350	30	230/400	50	2x 690	2x 2,34	2x 6.300	54	75	140	500
100-350	30	277/480	60	2x 1050	2x 2,72	2x 8.800	54	77	140	500