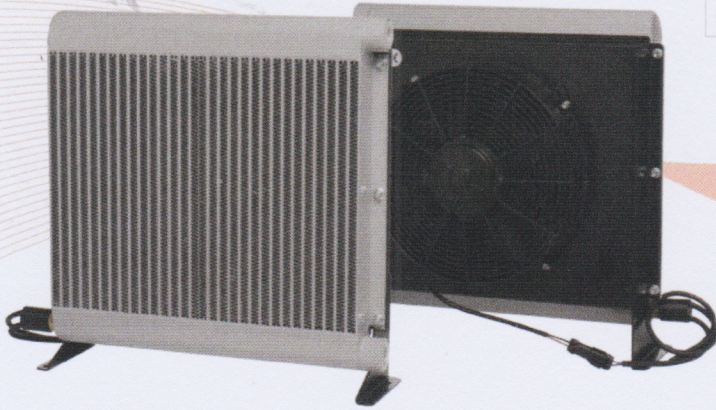


APL 430/2

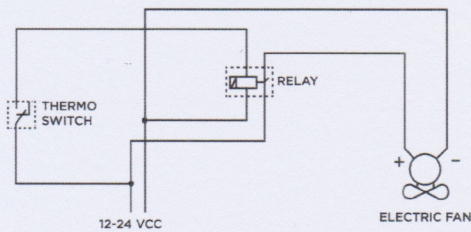
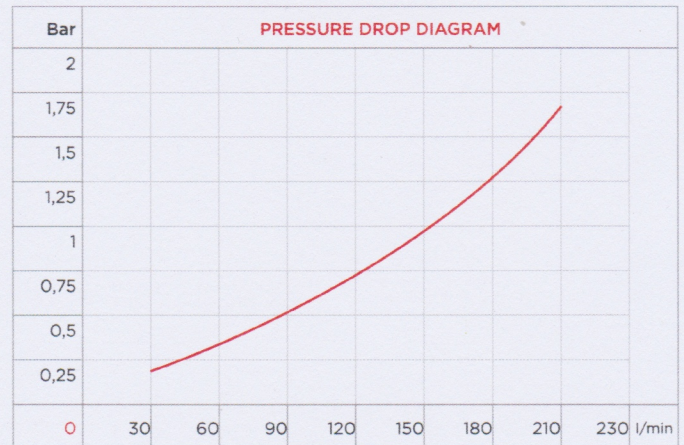
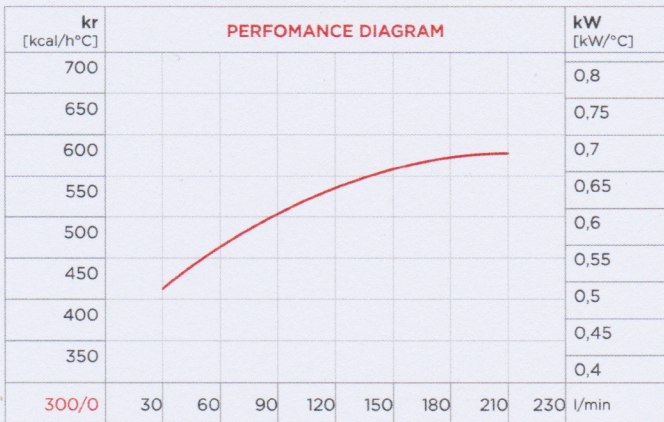


PURCHASE CODES

APL 430/2 12/24V without thermo switch	3RL43212 / 3RL43224
APL 430/2 12/24V with thermo switch	3RL43212T247 / 3RL43224T247 3RL43212T260 / 3RL43224T260

SPARE PARTS

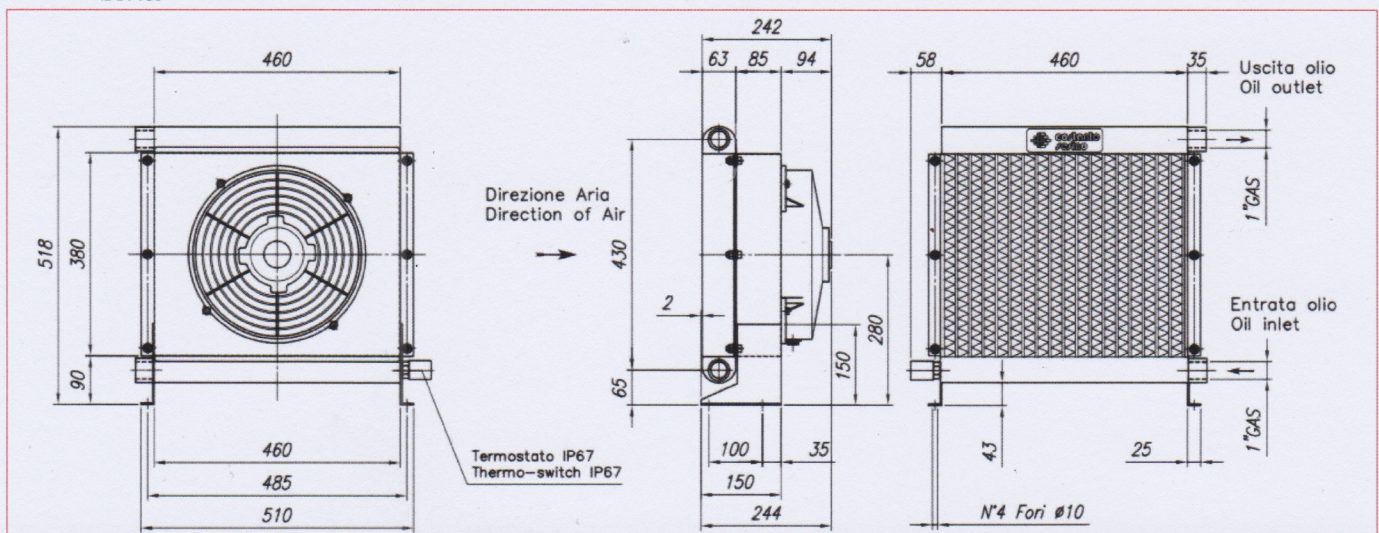
Thermo-switch 47-36 12V IP 67	1TRM47-36/12V
Thermo-switch 47-36 24V IP 67	1TRM47-36/24V
Thermo-switch 60-49 12V IP 67	1TRM60-49/12V
Thermo-switch 60-49 24V IP 67	1TRM60-49/24V
Cooling element	3RNAP432TP
Frame	1430LCNV
12VDC Electric fan	1VNAPL43012C
24VDC Electric fan	1VNAPL43024C



CORRECTION FACTOR

cSt	22	30	46	68	100	150	220
f	0,6	1	1,5	2,3	3,5	5	7

- Dimensions and technical characteristics are not binding



OIL FLOW	VOLTAGE	POWER	CURRENT	AIR FLOW	ELECTRIC PROTECTION	NOISE LEVEL	WEIGHT	CAPACITY	Ø FAN
l/min	V	W	A	m³/h	IP	dB(A)	kg	lit.	mm
30-200	12	210	17	2.400	68	82	20	5,5	310
30-200	24	210	8,5	2.400	68	82	20	5,5	310