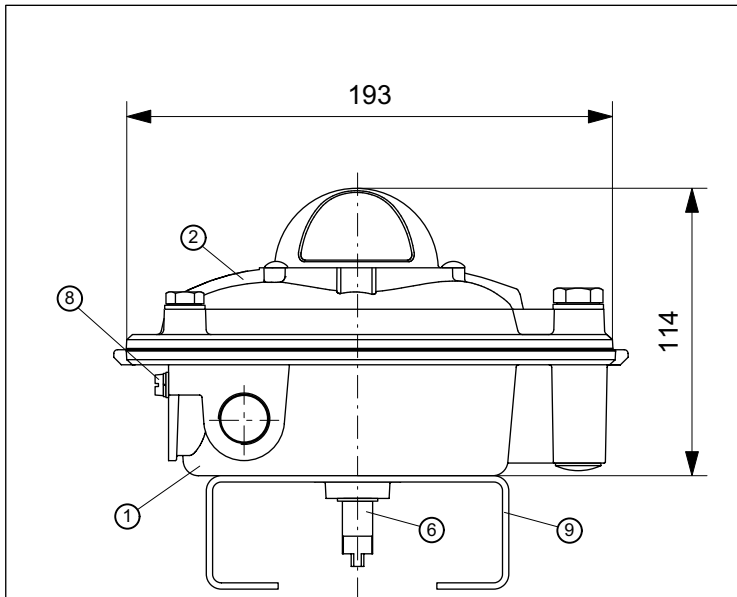




# D-Module DR3A3AZ0

D-Module with two micro-switches Crouzet type 83.161.301 in pressure-capsulated Aluminium housing 193x135x114 mm with vision beacon "OPEN+CLOSED"

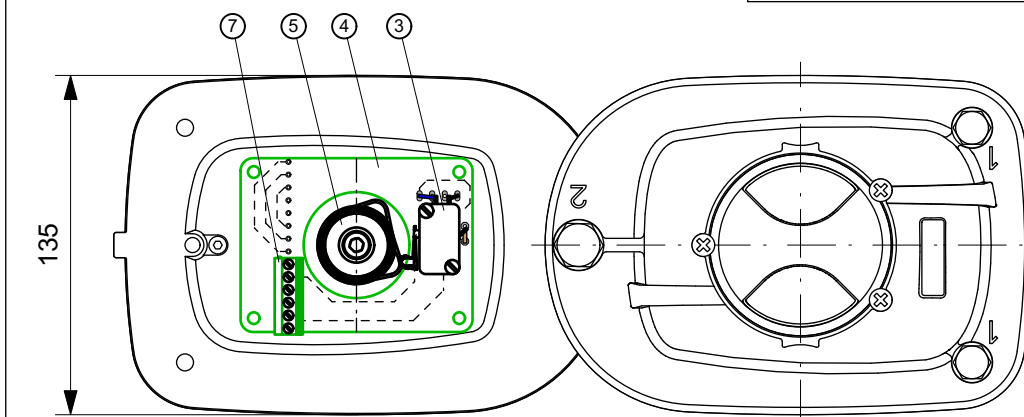


### TECHNICAL DATA

Manufacturer:	Crouzet
Type:	83.161.301
	Silver-contact, SPDT
Switch. power:	max. 4 A, 230 V AC/DC
Mechanical life:	2 x 10 <sup>7</sup> operating cycles
Temperature:	-40 ... +60°C
Housing:	Aluminium die-cast with vision beacon
Sealing:	NBR
Ingress protection:	IP65 / IP66
Switch. precision:	<1,5°
System connection:	3x thread M20x1,5 (without cable glands)

### EX-MARKING

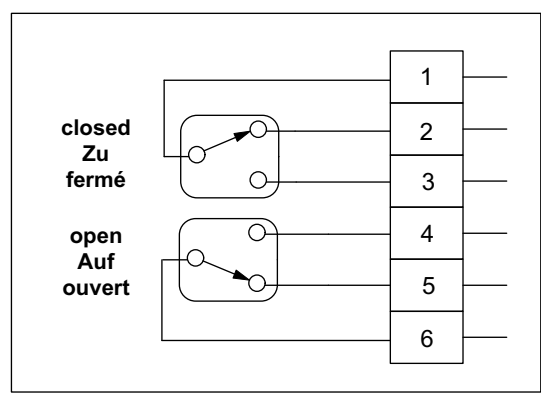
II 2G Ex db IIB T6 Gb  
 II 2D Ex tb IIIC T80°C Db  
 EC-type examination certificate no.: IBExU17ATEX1050X



### OBJECT LIST

Pos.	Pcs.	Description	Material
1	1	Housing base	Aluminium
2	1	Housing cover	Aluminium
3	2	Micro switch	-
4	1	Circuit board	-
5	1	Switch-cam-system	POM
6	1	Axis	Stainless steel
7	1	Terminal block, 6-pole	-
8	1	External earth terminal	Stainless steel
9	1	Bracket size 1 - 4	A2

### WIRING DIAGRAM



created: 20.03.17 / SH  
 checked: 20.03.17 / RT  
 status: 18.09.17

Im Katzentach 16-18    Telefon: 07243-59 31-0    e-Mail: info@rotech.de  
 D-76275 Ettlingen    Telefax: 07243-59 31-31    Internet: www.rotech.de

