



ENAPART



93 S Railroad Avenue Unit C
Bergenfield NJ 07621 USA
www.enapart.com
sales@enapart.com



Via del Canneto 35,
Borgosatollo, Brescia - Italia
www.enapart.it
vendite@enapart.it



Barbaros Mah. Ihlamur Bul. Aĝaoĝlu
My Newwork No:3/15 Ataşehir / İstanbul
www.enapart.net
satis@enapart.net



PRIVADA 10 B SUR #3908 COL.
ANZUREZ, C.P. 72530, PUEBLA, PUE
www.enapart.com.mx
sales@enapart.com.mx



Friedrich-Ebert-Anlage 36, 60325
Frankfurt am Main, Germany
www.enapart.de
anfrage@enapart.de



4 boulevard Carnot, 95400
villiers-le-bel, Paris, France
www.enapart.fr
sales@enapart.fr



65049, ОДЕСА, ВУЛИЦЯ ІВАНА
ФРАНКА, БУДИНОК 55, ПОВЕРХ 3
www.enapart.com.ua
sales@enapart.com.ua



MUNICIPIUL BUCUREȘTI, SECTOR 3,
B-DUL BASARABIA, NR.250, CORP P+5
www.enapart.ro
sales@enapart.ro



〒584-0023 大阪府富田林市若松町
東2丁目2番16号
www.enapart.co.jp
sales@enapart.co.jp



PLAZA NUESTRA SEÑORA DE LAS
NIEVES 12 ,LOCAL ,50012,ZARAGOZA
www.enapart.es
ventas@enapart.es



Складова база „Онгъл“, Склад А2, п.к.
4006, гр. Пловдив, България
www.enapart.bg
sales@enapart.bg



3 Austin Mews, High Street, Hemel
Hempstead, HP1 3AF , United Kingdom
www.enapart.co.uk
sales@enapart.co.uk

Mod. 530/1 - 20 bar



tutti i diritti riservati - all rights reserved

Fan with wall plate**Airflow****Direction****Type:**

»S«

R09P-3130HA-4T-3524

»B«

R09P-3130HP-4T-3524

Available on request

R09_-3130H_-4T-3524

**Diameter:** 315 mm**Fan with guard grill****Airflow****Direction****Type:**

»S«

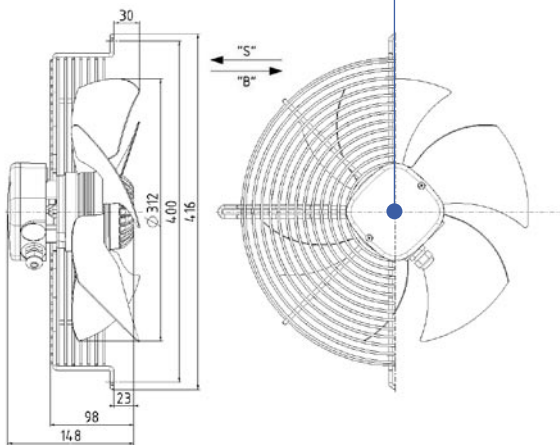
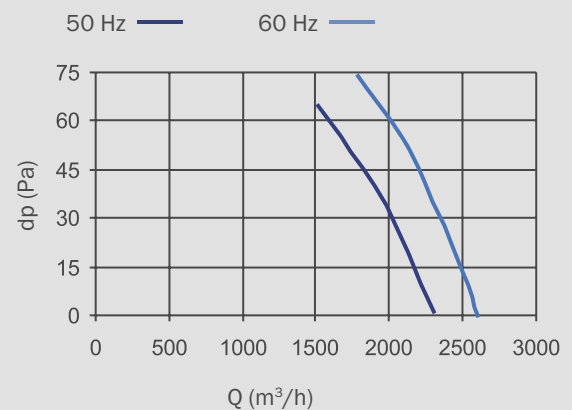
R09R-3130HA-4T-3524

»B«

R09R-3130HP-4T-3524

Code:

0309-4-1039

**Weight:**
3,4 kg**Aerodynamic characteristic:****Fan without guard grill****Airflow****Direction****Type:**

»S«

R09E-3130HA-4T-3524

»B«

R09E-3130HP-4T-3524

Available on request

Performance Data:

3~230 / 400V 50/60Hz

 $P_1 = 100 / 120W$ $n = 1370 / 1530 \text{ min}^{-1}$ $I = 0,41 / 0,23A / 0,41 / 0,23A$ $t_R = 55^\circ C$

Lwa= 69 / 73dB(A)

Connection: terminal box

Ins.Cl. F

IP54

Notes:

Fan characteristic measured in full bell mouth with guard grill



Diameter: 350 mm

R09_-3530H_-4T-4203

Fan with wall plate

Airflow

Direction Type:

»S«

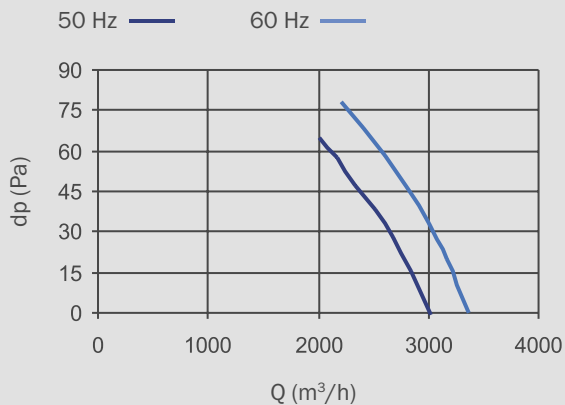
R09P-3530HA-4T-4203

»B«

R09P-3530HP-4T-4203

Available on request

Aerodynamic characteristic:



Performance Data:

3~230 / 400V 50/60Hz

$P_1 = 135 / 170W$

$n = 1380 / 1540min^{-1}$

$I = 0,53 / 0,30A / 0,53 / 0,30A$

$t_R = 50^\circ C$

$Lwa = 72 / 75dB$

Connection: terminal box

Ins.Cl. F

IP54

Notes:

Fan characteristic measured in full bell mouth with guard grill

Fan with guard grill

Airflow

Direction Type:

»S«

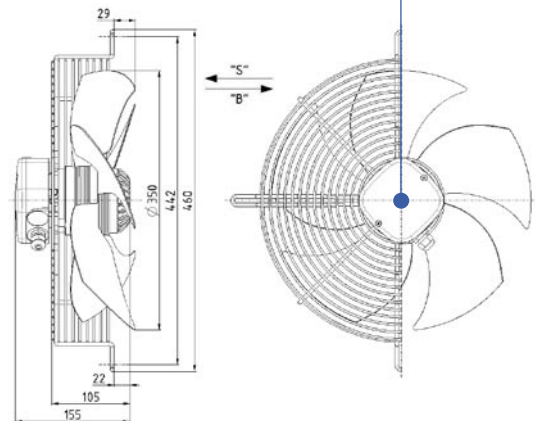
R09R-3530HA-4T-4203

»B«

R09R-3530HP-4T-4203

Code:

0309-4-1023



Weight:

3,7 kg

Fan without guard grill

Airflow

Direction Type:

»S«

R09E-3530HA-4T-4203

»B«

R09E-3530HP-4T-4203

Available on request

Fan with wall plate

Airflow

Direction

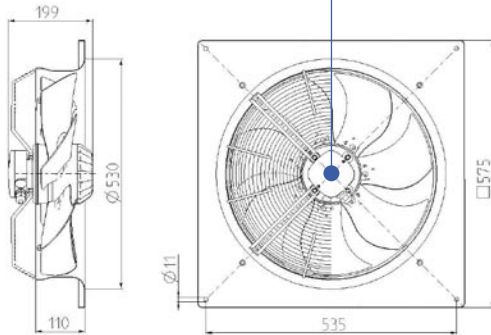
- »S«
- »B«

Type:

- R13P-4530HA-4T2-5059
- R13P-4530HP-4T2-5059

Code:

0313-4-1054



Weight:
15,5 kg

R13_-4530H_-4T2-5059



Diameter: 450 mm

Fan with guard grill

Airflow

Direction

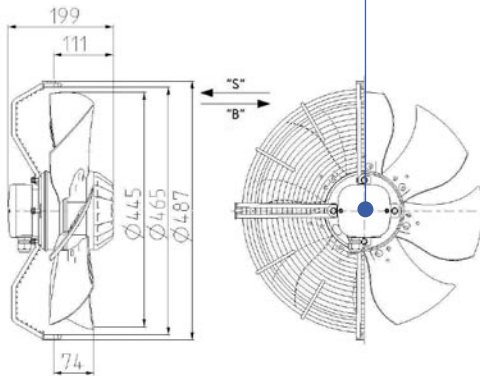
- »S«
- »B«

Type:

- R13R-4530HA-4T2-5059
- R13R-4530HP-4T2-5059

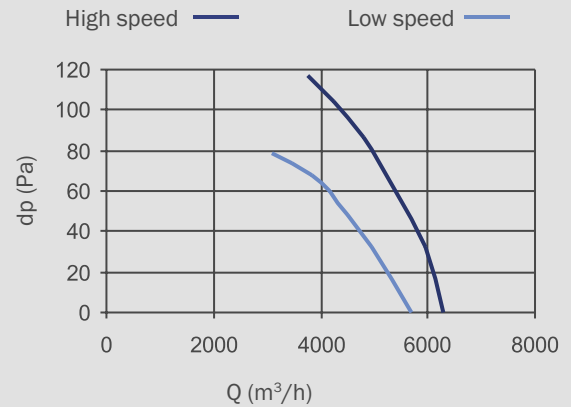
Code:

0313-4-1069



Weight:
10 kg

Aerodynamic characteristic:



Fan without guard grill

Airflow

Direction

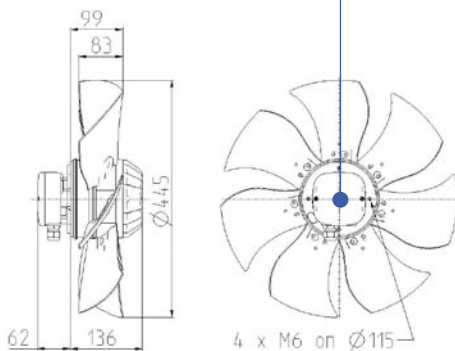
- »S«
- »B«

Type:

- R13E-4530HA-4T2-5059
- R13E-4530HP-4T2-5059

Code:

0313-4-1070



Weight:
8,1 kg

Performance Data:

- 3~400V D/Y 50Hz
- $P_1 = 465 / 330W$
- $n = 1400 / 1260min^{-1}$
- $I = 0,95 / 0,50A$
- $t_R = 70^\circ C$
- $Lwa = 73 / 69dB(A)$
- Connection: terminal box
- Ins.Cl. F
- IP54

Notes:

Fan characteristic measured in full bell mouth with guard grill



Diameter: 450 mm

R13_4530H_6T2-5060

Fan with wall plate

Airflow

Direction

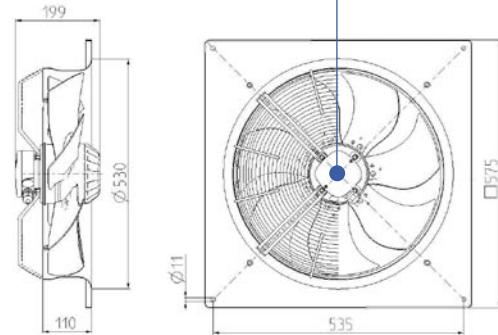
- »S«
- »B«

Type:

- R13P-4530HA-6T2-5060
- R13P-4530HP-6T2-5060

Code:

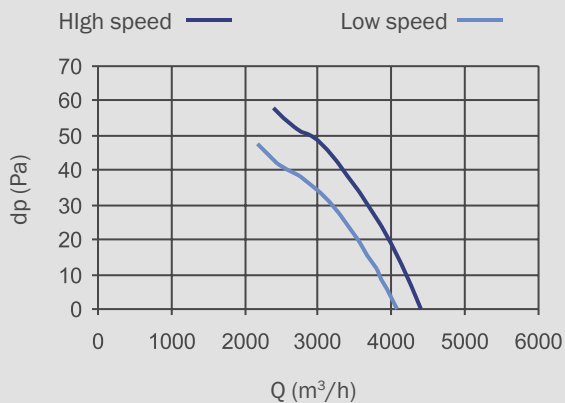
0313-4-1071



Weight:

15,5 kg

Aerodynamic characteristic:



Performance Data:

3~400V D/Y 50Hz

$P_1 = 170 / 105W$

$n = 940 / 840\text{min}^{-1}$

$I = 0,70 / 0,23A$

$t_R = 70^\circ\text{C}$

$L_{wa} = 67 / 62\text{dB(A)}$

Connection: terminal box

Ins.Cl. F

IP54

Notes:

Fan characteristic measured in full bell mouth with guard grill

Fan with guard grill

Airflow

Direction

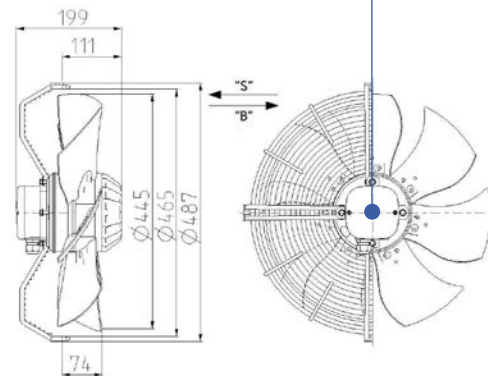
- »S«
- »B«

Type:

- R13R-4530HA-6T2-5060
- R13R-4530HP-6T2-5060

Code:

0313-4-1072



Weight:

10 kg

Fan without guard grill

Airflow

Direction

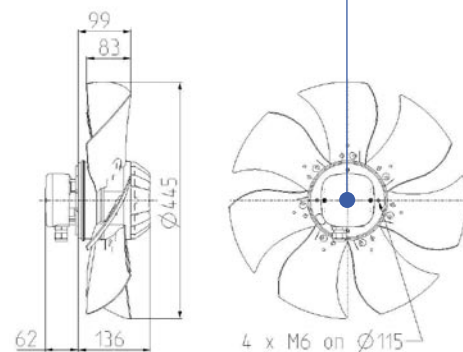
- »S«
- »B«

Type:

- R13E-4530HA-6T2-5060
- R13E-4530HP-6T2-5060

Code:

0313-4-1062



Weight:

8,1 kg

Fan with wall plate

Airflow

Direction

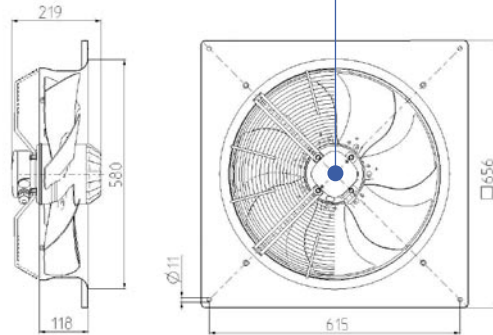
- »S«
- »B«

Type:

- R13P-5030HA-4T2-7056
- R13P-5030HP-4T2-7056

Code:

0313-4-1028



Weight:
18 kg

R13_-5030H_-4T2-7056



Diameter: 500 mm

Fan with guard grill

Airflow

Direction

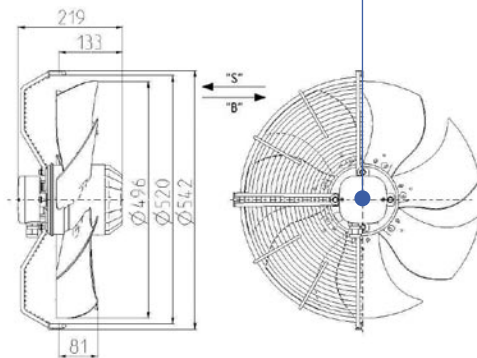
- »S«
- »B«

Type:

- R13R-5030HA-4T2-7056
- R13R-5030HP-4T2-7056

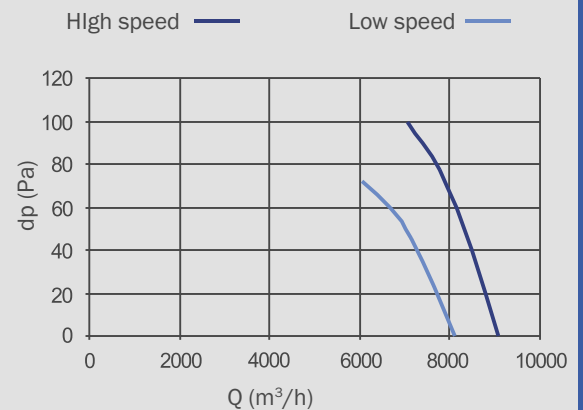
Code:

0313-4-1038



Weight:
12,5 kg

Aerodynamic characteristic:



Fan without guard grill

Airflow

Direction

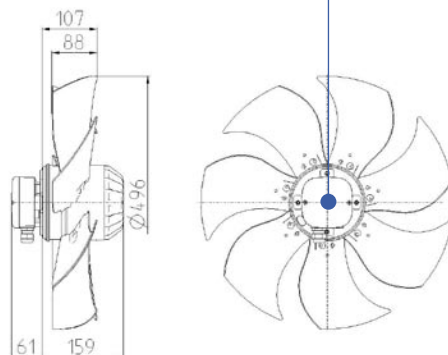
- »S«
- »B«

Type:

- R13E-5030HA-4T2-7056
- R13E-5030HP-4T2-7056

Code:

0313-4-1062



Weight:
10,1 kg

Performance Data:

- 3~400V D/Y 50Hz
- $P_1 = 0,63 / 0,48kW$
- $n = 1415 / 1260min^{-1}$
- $I = 1,75 / 0,85A$
- $t_R = 60^\circ C$
- $Lwa = 76 / 72dB(A)$
- Connection: terminal box
- Ins.Cl. F
- IP54

Notes:

Fan characteristic measured in full bell mouth with guard grill



Diameter: 500 mm

R13_5030H_4M-7075

Fan with wall plate

Airflow

Direction

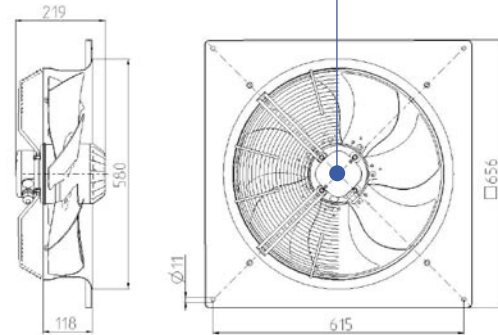
- »S«
- »B«

Type:

- R13P-5030HA-4M-7075
- R13P-5030HP-4M-7075

Code:

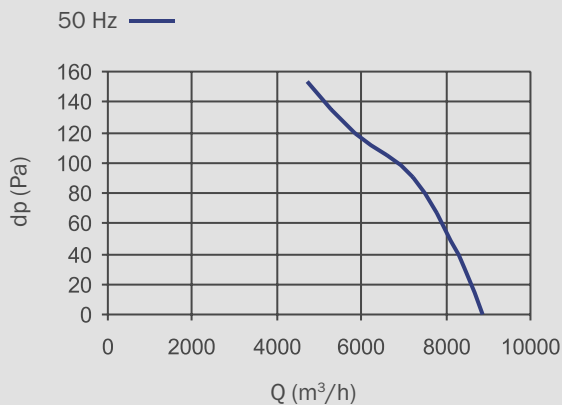
0313-4-1120



Weight:

18,6 kg

Aerodynamic characteristic:



Performance Data:

1~230V 50Hz

$P_1 = 780W$

$n = 1370\text{min}^{-1}$

$I = 3,5A$

$t_R = 60^\circ\text{C}$

$L_{wa} = 76\text{dB(A)}$

$C = 16\mu\text{F} / 450V$

Connection: terminal box

Ins.Cl. F

IP54

Notes:

Fan characteristic measured in full bell mouth with guard grill

Fan with guard grill

Airflow

Direction

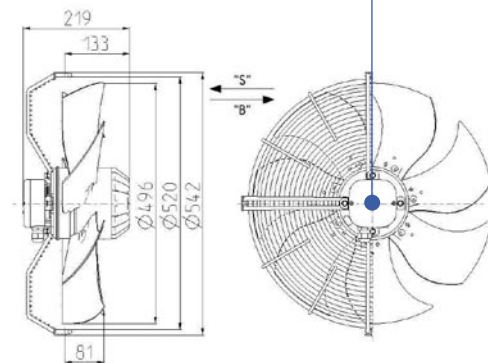
- »S«
- »B«

Type:

- R13R-5030HA-4M-7075
- R13R-5030HP-4M-7075

Code:

0313-4-1081



Weight:

13,1 kg

Fan without guard grill

Airflow

Direction

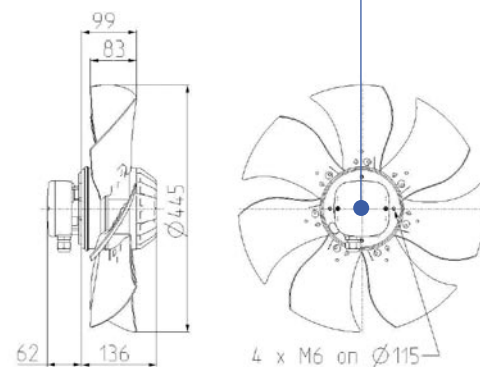
- »S«
- »B«

Type:

- R13E-5030HA-4M-7075
- R13E-5030HP-4M-7075

Code:

0313-4-1121



Weight:

10,7 kg

Fan with wall plate**Airflow****Direction**

»S«

»B«

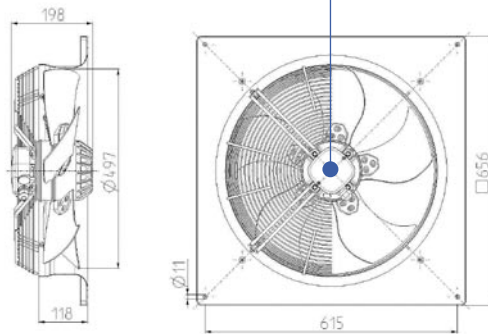
Type:

R13P-5030HA-6M-5072

R13P-5030HP-6M-5072

Code:

0313-4-1105

**Weight:**

15,8 kg

R13_-5030H_-6M-5072

**Diameter:** 500 mm**Fan with guard grill****Airflow****Direction**

»S«

»B«

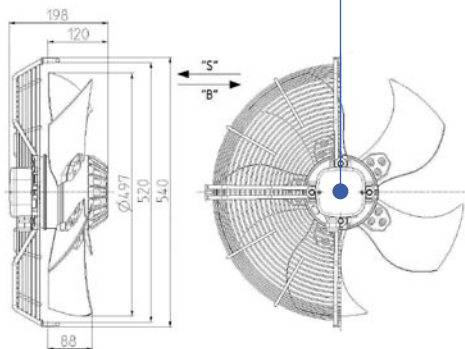
Type:

R13R-5030HA-6M-5072

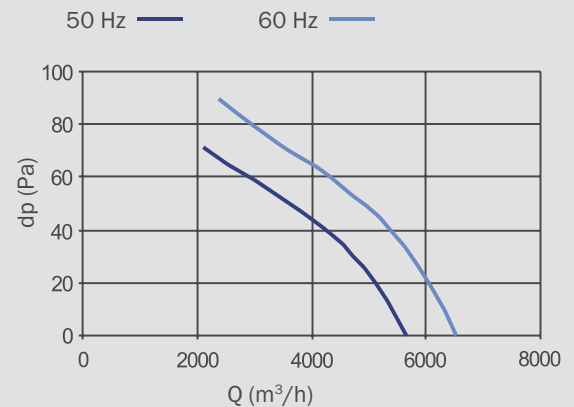
R13R-5030HP-6M-5072

Code:

0313-4-1083

**Weight:**

10,3 kg

Aerodynamic characteristic:**Fan without guard grill****Airflow****Direction**

»S«

»B«

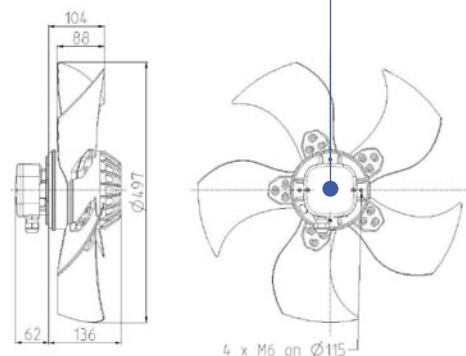
Type:

R13E-5030HA-6M-5072

R13E-5030HP-6M-5072

Code:

0313-4-1104

**Weight:**

7,9 kg

Performance Data:

1~230V 50/60Hz

 $P_1 = 245 / 320W$ $n = 900 / 1030min^{-1}$ $I = 1,1 / 1,35A$ $t_R = 60^\circ C$ $L_{wa} = 72 / 76dB(A)$ $C = 8\mu F / 450V$

Connection: terminal box

Ins.Cl. F

IP54

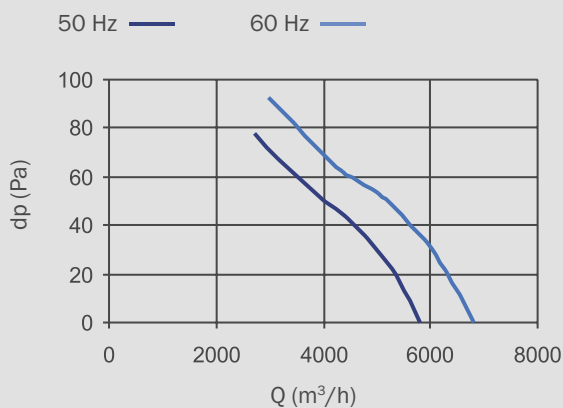
Notes:

Fan characteristic measured in full bell mouth with guard grill



Diameter: 500 mm

Aerodynamic characteristic:



Performance Data:

1~230V 50/60Hz
 $P_1 = 280 / 370W$
 $n = 890 / 1000min^{-1}$
 $I = 1,2 / 1,5A$
 $t_R = 55^\circ C$
 $Lwa = 75 / 78dB(A)$
 $C = 8uF / 450V$
 Connection: terminal box
 Ins.Cl. F
 IP54

Notes:

Fan characteristic measured in full bell mouth with guard grill

R13_-5030H_-6M-5071

Fan with wall plate

Airflow

Direction

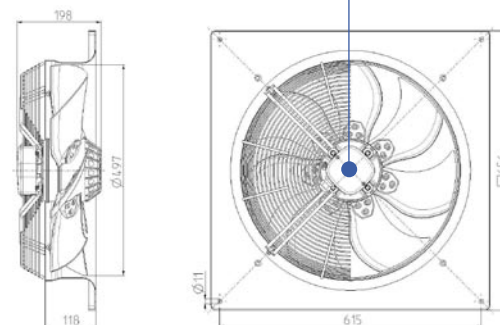
»S«
 »B«

Type:

R13P-5030HA-6M-5071
 R13P-5030HP-6M-5071

Code:

0313-4-1102



Weight:

16 kg

Fan with guard grill

Airflow

Direction

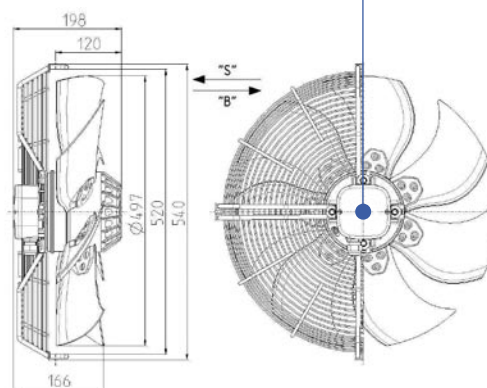
»S«
 »B«

Type:

R13R-5030HA-6M-5071
 R13R-5030HP-6M-5071

Code:

0313-4-1080



Weight:

10,5 kg

Fan without guard grill

Airflow

Direction

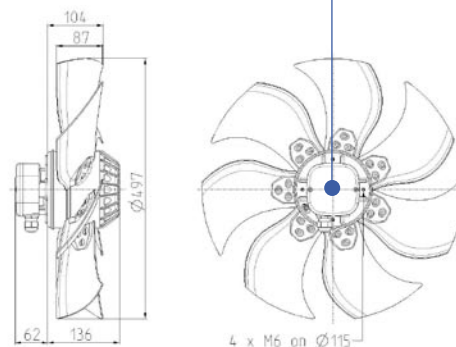
»S«
 »B«

Type:

R13E-5030HA-6M-5071
 R13E-5030HP-6M-5071

Code:

0313-4-1101



Weight:

8 kg

Fan with wall plate**Airflow****Direction**

»S«

»B«

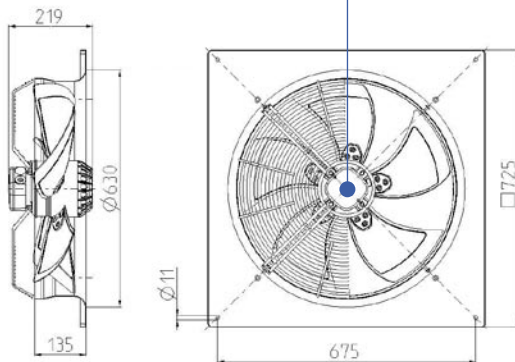
Type:

R13P-5630HA-6M-7036

R13P-5630HP-6M-7036

Code:

0313-4-1031

**Weight:**

21 kg

R13_-5630H_-6M-7036

**Diameter:** 560 mm**Fan with guard grill****Airflow****Direction**

»S«

»B«

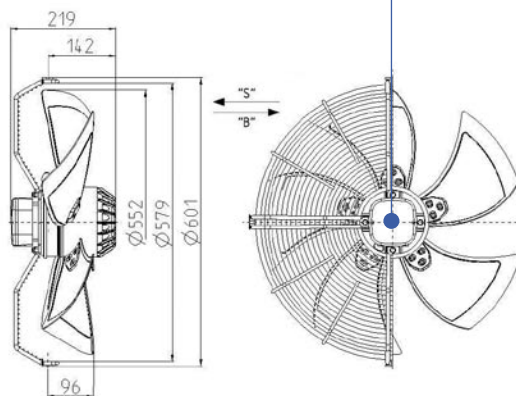
Type:

R13R-5630HA-6M-7036

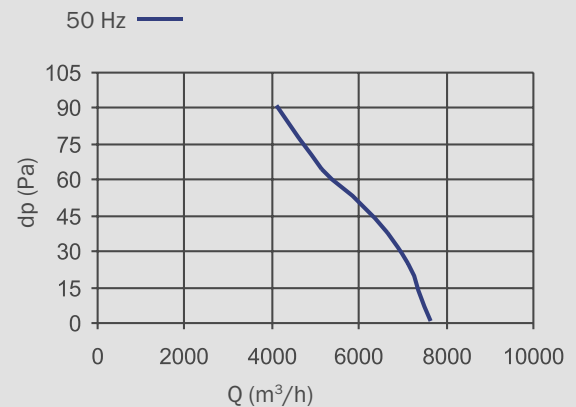
R13R-5630HP-6M-7036

Code:

0313-4-1007

**Weight:**

13,3 kg

Aerodynamic characteristic:**Fan without guard grill****Airflow****Direction**

»S«

»B«

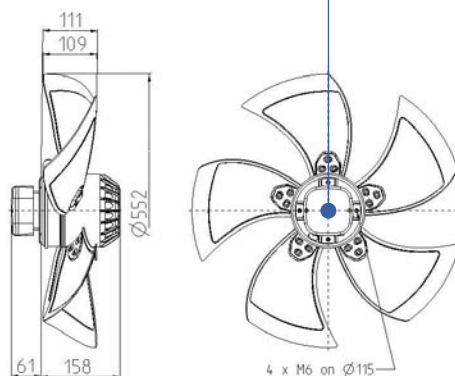
Type:

R13E-5630HA-6M-7036

R13E-5630HP-6M-7036

Code:

0313-4-1066

**Weight:**

10,5 kg

Performance Data:

1~230V 50Hz

 $P_1 = 420W$ $n = 865min^{-1}$ $I = 1,9A$ $t_R = 55^\circ C$ $L_{wa} = 76dB(A)$ $C = 12.5\mu F / 450V$

Connection: terminal box

Ins.Cl. F

IP54

Notes:

Fan characteristic measured in full bell mouth with guard grill



Diameter: 560 mm

R13_5630H_6T2-7008

Fan with wall plate

Airflow

Direction

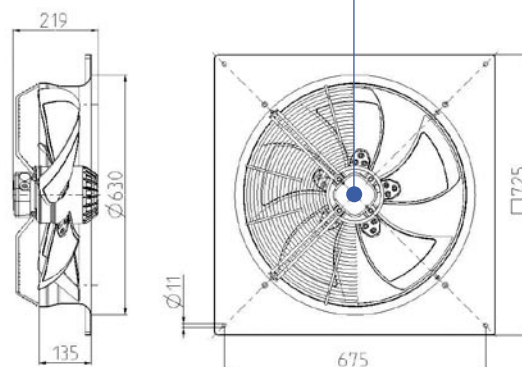
- »S«
- »B«

Type:

- R13P-5630HA-6T2-7008
- R13P-5630HP-6T2-7008

Code:

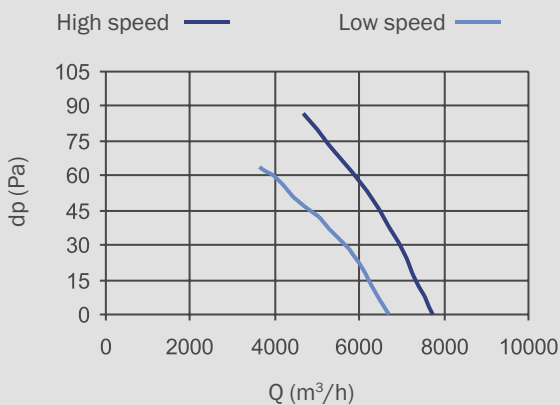
0313-4-1015



Weight:

21 kg

Aerodynamic characteristic:



Performance Data:

3~400V D/Y 50Hz

$P_1 = 0,38 / 0,25$ kW

$n = 910 / 760$ min⁻¹

$I = 0,85 / 0,44$ A

$t_R = 70$ °C

Lwa = 76 / 71 dB(A)

Connection: terminal box

Ins.Cl. F

IP54

Notes:

Fan characteristic measured in full bell mouth with guard grill

Fan with guard grill

Airflow

Direction

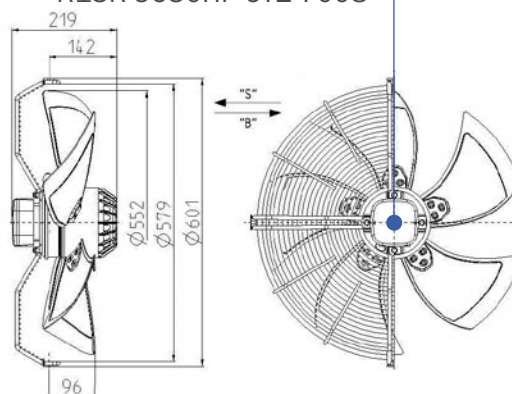
- »S«
- »B«

Type:

- R13R-5630HA-6T2-7008
- R13R-5630HP-6T2-7008

Code:

0313-4-1011



Weight:

13,3 kg

Fan without guard grill

Airflow

Direction

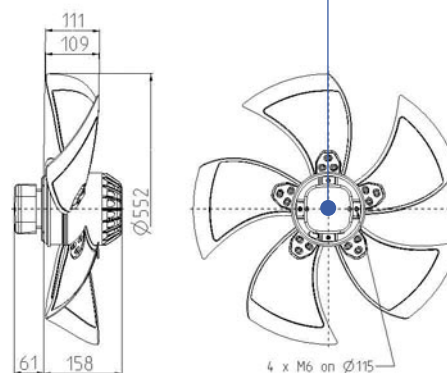
- »S«
- »B«

Type:

- R13E-5630HA-6T2-7008
- R13E-5630HP-6T2-7008

Code:

0313-4-1045



Weight:

10,5 kg

Fan with wall plate

Airflow

Direction

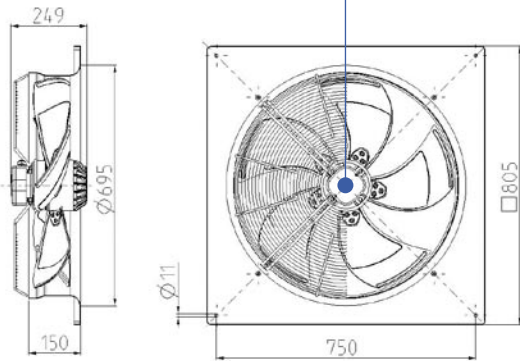
- »S«
- »B«

Type:

- R13P-6330HA-6M-X055
- R13P-6330HP-6M-X055

Code:

0313-4-1060



Weight:
21 kg

R13_-6330H_-6M-X055



Diameter: 630 mm

Fan with guard grill

Airflow

Direction

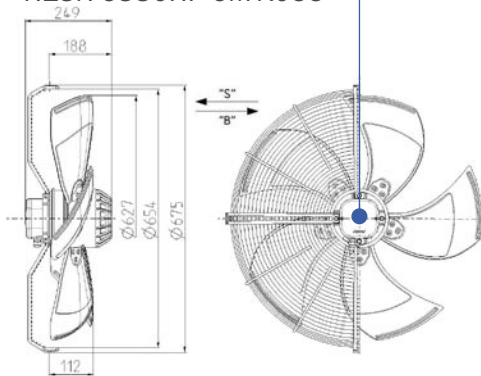
- »S«
- »B«

Type:

- R13R-6330HA-6M-X055
- R13R-6330HP-6M-X055

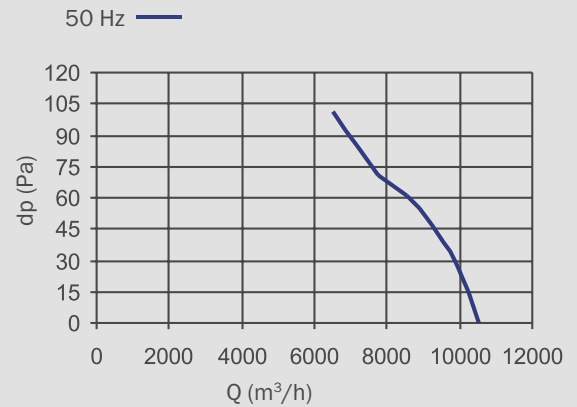
Code:

0313-4-1005



Weight:
13,3 kg

Aerodynamic characteristic:



Fan without guard grill

Airflow

Direction

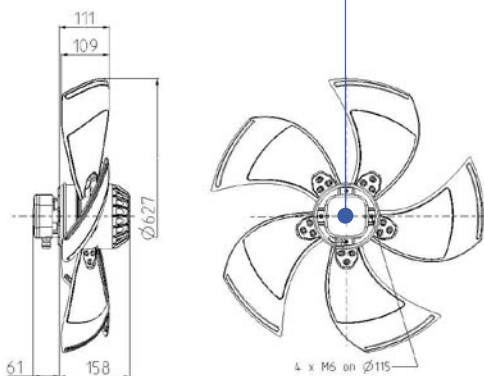
- »S«
- »B«

Type:

- R13E-6330HA-6M-X055
- R13E-6330HP-6M-X055

Code:

0313-4-1061



Weight:
10,5 kg

Performance Data:

- 1~230V 50Hz
- $P_1 = 680W$
- $n = 890min^{-1}$
- $I = 3,1A$
- $t_R = 50^\circ C$
- $Lwa = 77 dB(A)$
- $C = 18\mu F / 450V$
- Connection: terminal box
- Ins.Cl. F
- IP54

Notes:

Fan characteristic measured in full bell mouth with guard grill



Diameter: 630 mm

R13_-6330H_-6T2-7042

Fan with wall plate

Airflow

Direction

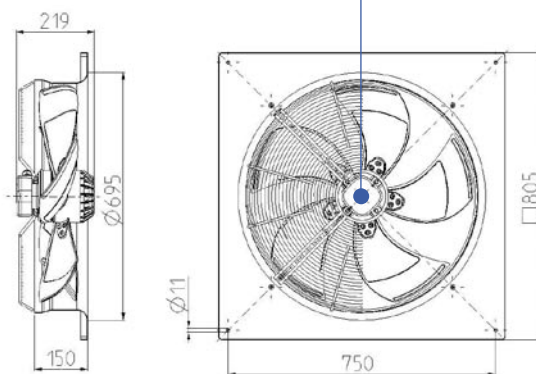
- »S«
- »B«

Type:

- R13P-6330HA-6T2-7042
- R13P-6330HP-6T2-7042

Code:

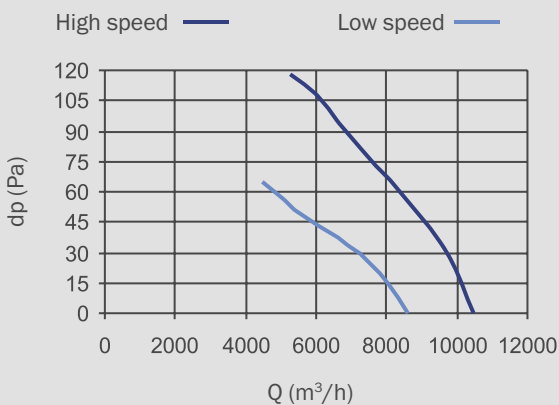
0313-4-1013



Weight:

23,3 kg

Aerodynamic characteristic:



Performance Data:

- 3~400V D/Y 50Hz
- $P_1 = 0,60 / 0,38kW$
- $n = 870 / 640min^{-1}$
- $I = 1,25 / 0,65A$
- $t_R = 65^\circ C$
- $Lwa = 76,5 / 73dB(A)$
- Connection: terminal box
- Ins.Cl. F
- IP54

Notes:

Fan characteristic measured in full bell mouth with guard grill

Fan with guard grill

Airflow

Direction

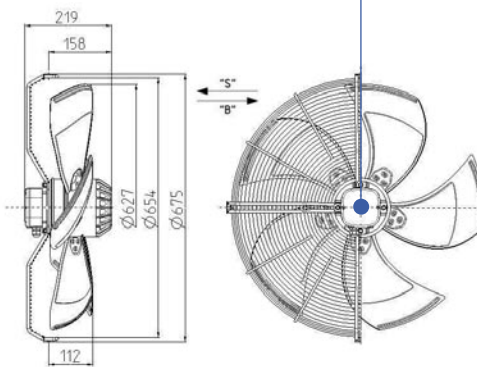
- »S«
- »B«

Type:

- R13R-6330HA-6T2-7042
- R13R-6330HP-6T2-7042

Code:

0313-4-1000



Weight:

14,5 kg

Fan without guard grill

Airflow

Direction

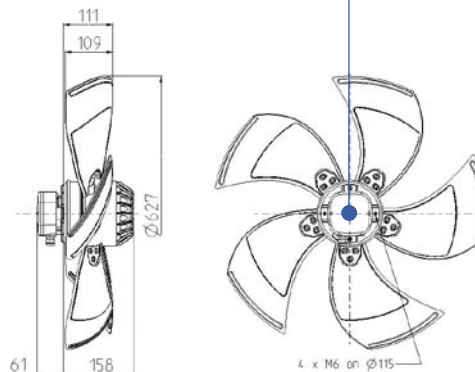
- »S«
- »B«

Type:

- R13E-6330HA-6T2-7042
- R13E-6330HP-6T2-7042

Code:

0313-4-1042

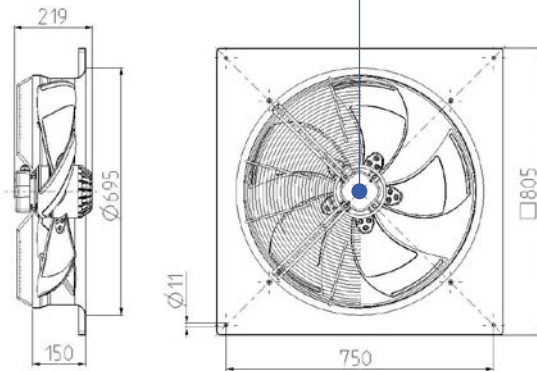


Weight:

10,8 kg

Fan with wall plate**Airflow****Direction**»S«
»B«**Type:**R13P-6330HA-8T2-7038
R13P-6330HP-8T2-7038**Code:**

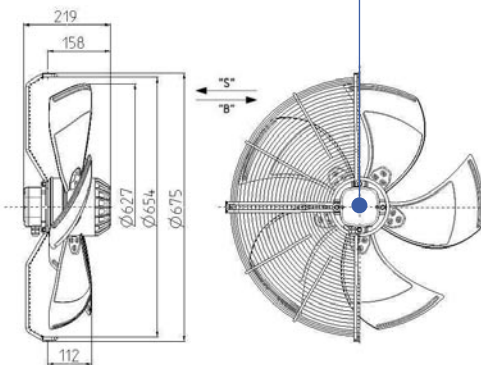
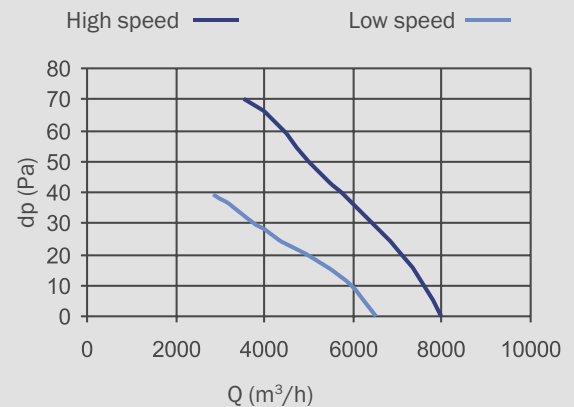
0313-4-1030

**Weight:**
23,3 kg

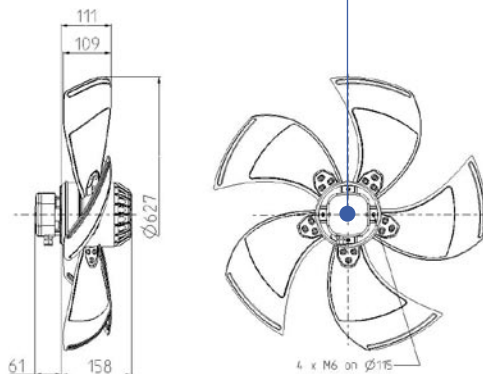
R13_-6330H_-8T2-7038

**Diameter:** 630 mm**Fan with guard grill****Airflow****Direction**»S«
»B«**Type:**R13R-6330HA-8T2-7038
R13R-6330HP-8T2-7038**Code:**

0313-4-1023

**Weight:**
14,5 kg**Aerodynamic characteristic:****Fan without guard grill****Airflow****Direction**»S«
»B«**Type:**R13E-6330HA-8T2-7038
R13E-6330HP-8T2-7038**Code:**

0313-4-1043

**Weight:**
10,8 kg**Performance Data:**

3~400V D/Y 50Hz

 $P_1 = 0,28 / 0,175\text{kW}$ $n = 650 / 510\text{min}^{-1}$ $I = 0,68 / 0,30\text{A}$ $t_R = 70^\circ\text{C}$ $L_{wa} = 70,5 / 66\text{dB(A)}$

Connection: terminal box

Ins.Cl. F

IP54

Notes:

Fan characteristic measured in full bell mouth with guard grill

Fan with wall plate**Airflow****Direction**

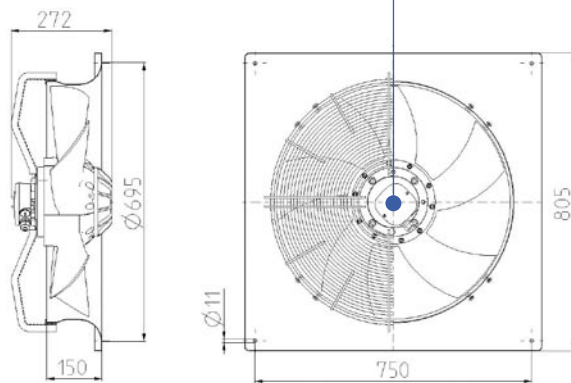
»S«

Type:

R18P-6330HA-4T2-X003

Code:

0318-4-0020

**Weight:**

39 kg

R18_-6330H_-4T2-X003

**Diameter:** 630 mm**Fan with guard grill****Airflow****Direction**

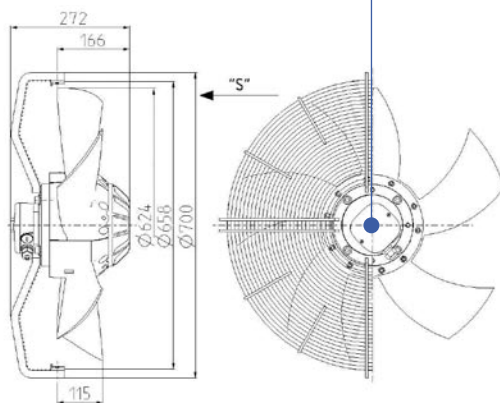
»S«

Type:

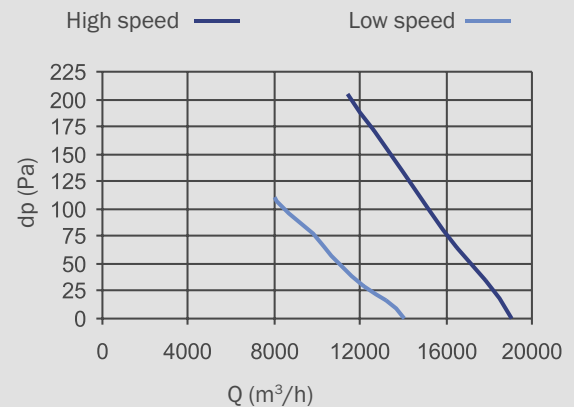
R18R-6330HA-4T2-X003

Code:

0318-4-0014

**Weight:**

30,5 kg

Aerodynamic characteristic:**Fan without guard grill****Airflow****Direction**

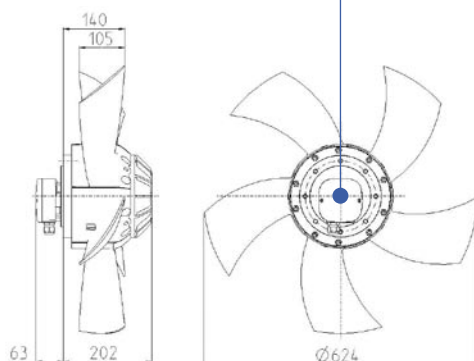
»S«

Type:

R18E-6330HA-4T2-X003

Code:

0318-4-0010

**Weight:**

26 kg

Performance Data:

3~400V D/Y 50Hz

 $P_1 = 2,35 / 1,37\text{kW}$ $n = 1360 / 1000\text{min}^{-1}$ $I = 4,65 / 2,75\text{A}$ $t_R = 55^\circ\text{C}$

Lwa = 89 / 83dB(A)

Connection: terminal box

Ins.Cl. F

IP54

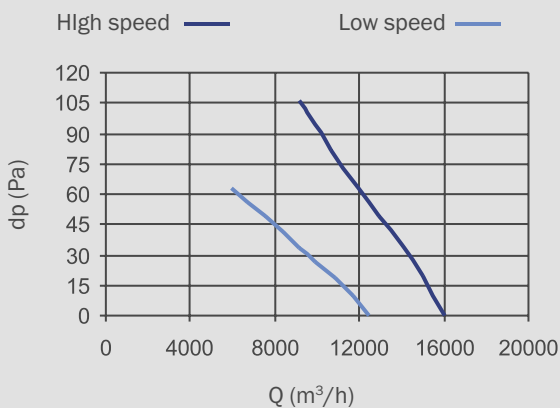
Notes:

Fan characteristic measured in full bell mouth with guard grill



Diameter: 710 mm

Aerodynamic characteristic:



Performance Data:

3~400V D/Y 50Hz
 $P_1 = 0,99 / 0,65\text{kW}$
 $n = 870 / 620\text{min}^{-1}$
 $I = 1,9 / 1,2\text{A}$
 $t_R = 60^\circ\text{C}$
 $L_{wa} = 78 / 74\text{dB(A)}$
 Connection: terminal box
 Ins.Cl. F
 IP54

Notes:

Fan characteristic measured in full bell mouth with guard grill

R18_-7130H_-6T2-7502

Fan with wall plate

Airflow

Direction

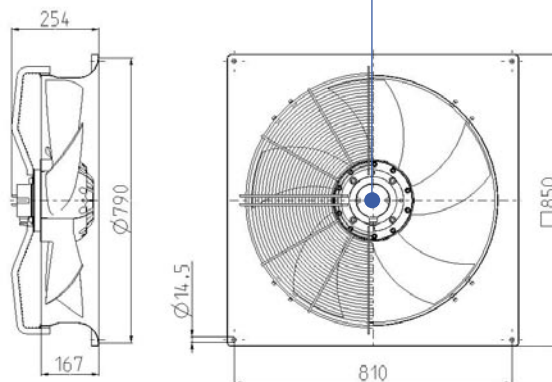
»S«

Type:

R18P-7130HA-6T2-7502

Code:

0318-4-0003



Weight:

34,9 kg

Fan with guard grill

Airflow

Direction

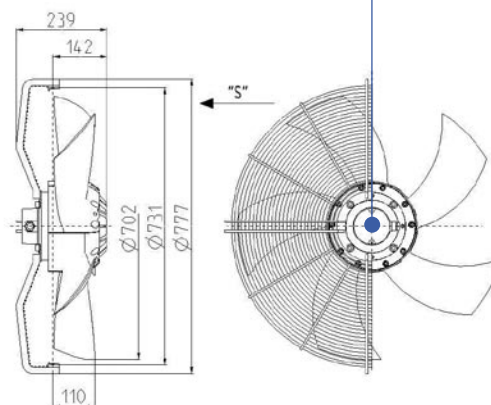
»S«

Type:

R18R-7130HA-6T2-7502

Code:

0318-4-0007



Weight:

27,2 kg

Fan without guard grill

Airflow

Direction

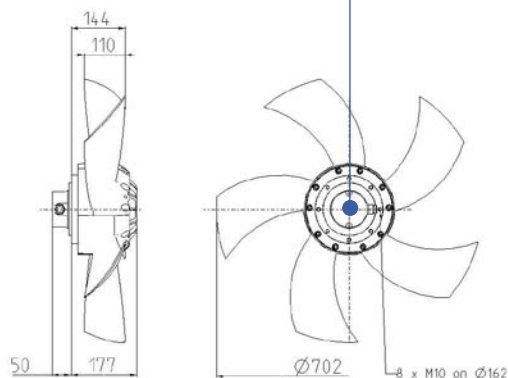
»S«

Type:

R18E-7130HA-6T2-7502

Code:

0318-4-0016



Weight:

22 kg

Fan with wall plate

Airflow

Direction

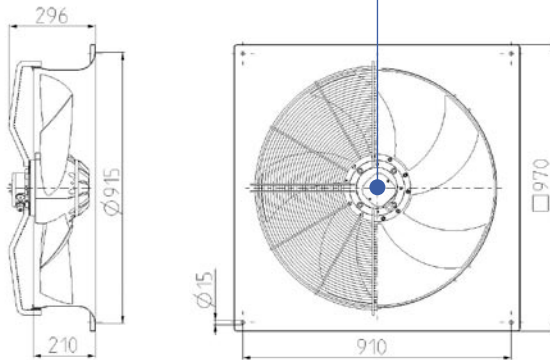
»S«

Type:

R18P-8030HA-6T2-X004

Code:

0318-4-0028



Weight:
45,7 kg

R18_-8030H_-6T2-X004



Diameter: 800 mm

Fan with guard grill

Airflow

Direction

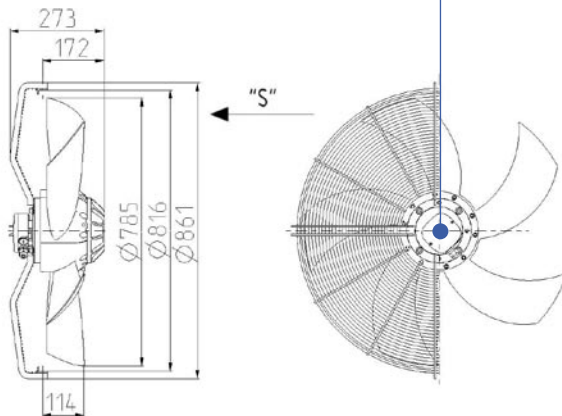
»S«

Type:

R18R-8030HA-6T2-X004

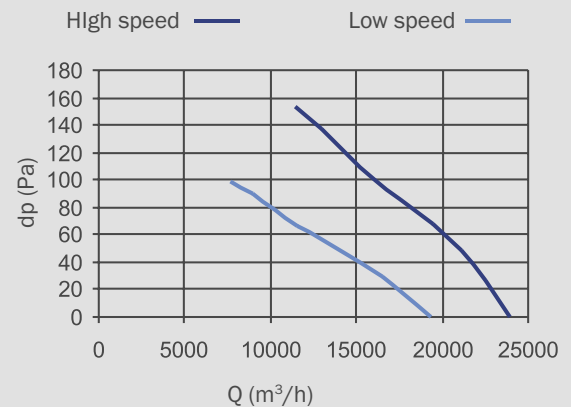
Code:

0318-4-0026



Weight:
32,8 kg

Aerodynamic characteristic:



Fan without guard grill

Airflow

Direction

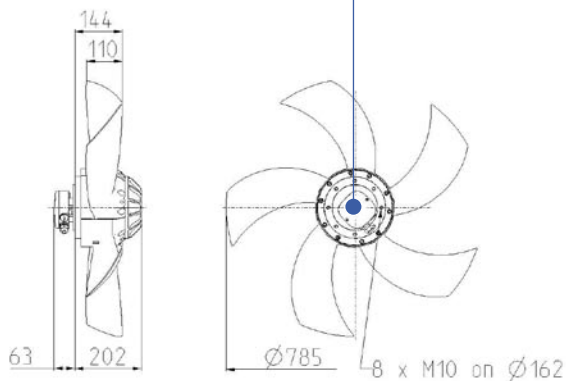
»S«

Type:

R18E-8030HA-6T2-X004

Code:

0318-4-0029



Weight:
27 kg

Performance Data:

3~400V D/Y 50Hz
 $P_1 = 1,56 / 1,05kW$
 $n = 900 / 700min^{-1}$
 $I = 3,5 / 2,0A$
 $t_R = 60^\circ C$
 $Lwa = 82 / 77dB(A)$
 Connection: terminal box
 Ins.Cl. F
 IP54

Notes:

Fan characteristic measured in full bell mouth with guard grill

Fan with wall plate**Airflow****Direction**

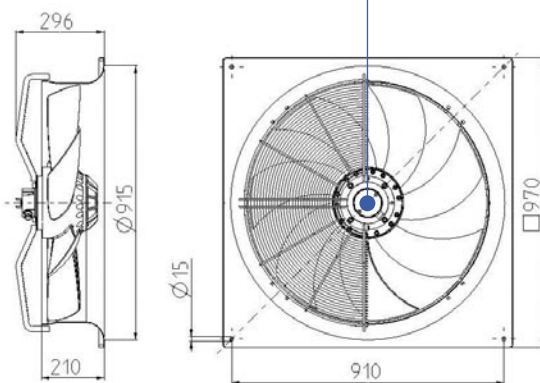
»S«

Type:

R18P-8030HA-8T2-X000

Code:

0318-4-0000

**Weight:**

47,7 kg

R18_-8030H_-8T2-X000

**Diameter:** 800 mm**Fan with guard grill****Airflow****Direction**

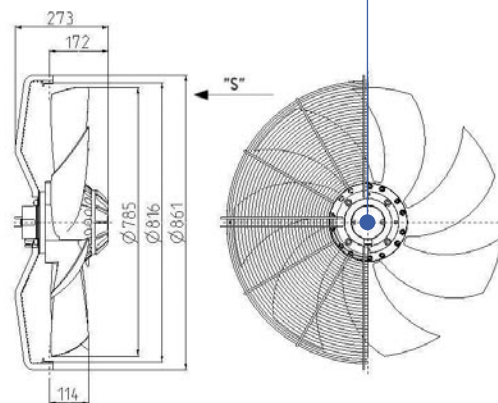
»S«

Type:

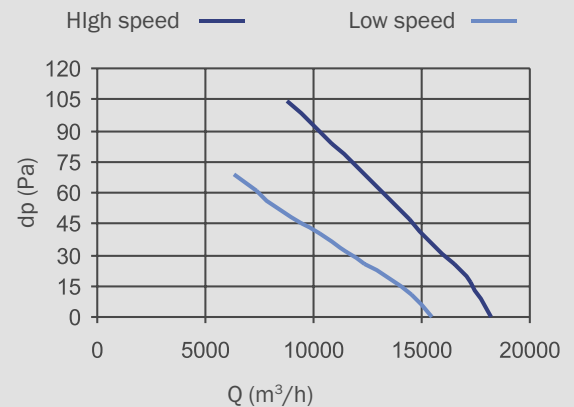
R18R-8030HA-8T2-X000

Code:

0318-4-0004

**Weight:**

34,8 kg

Aerodynamic characteristic:**Fan without guard grill****Airflow****Direction**

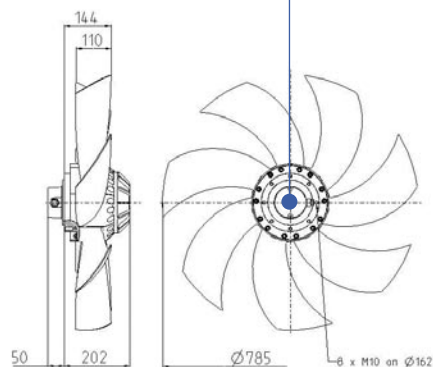
»S«

Type:

R18E-8030HA-8T2-X000

Code:

0318-4-0008

**Weight:**

29 kg

Performance Data:

3~400V D/Y 50Hz

 $P_1 = 0,92 / 0,60\text{kW}$ $n = 680 / 560\text{min}^{-1}$ $I = 2,3 / 1,15\text{A}$ $t_R = 60^\circ\text{C}$ $L_{wa} = 77 / 69,5\text{dB(A)}$

Connection: terminal box

Ins.Cl. F

IP54

Notes:

Fan characteristic measured in full bell mouth with guard grill



Diameter: 800 mm

R18_-8030H_-12T2-7505

Fan with wall plate

Airflow

Direction

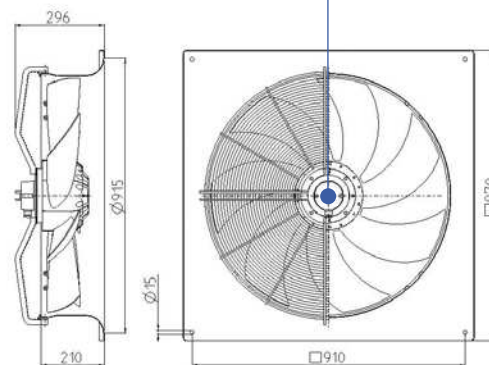
»S«

Type:

R18P-8030HA-12T2-7505

Code:

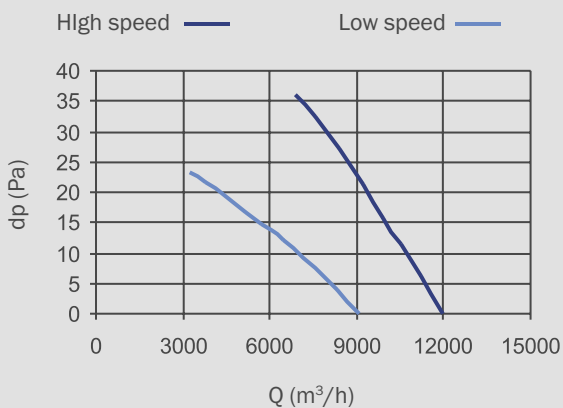
0318-4-0032



Weight:

47,7 kg

Aerodynamic characteristic:



Performance Data:

3~400V D/Y 50Hz

$P_1 = 370 / 170W$

$n = 450 / 320min^{-1}$

$I = 1,2 / 0,5A$

$t_R = 70^\circ C$

$Lwa = 66 / 58dB(A)$

Connection: terminal box

Ins.Cl. F

IP54

Notes:

Fan characteristic measured in full bell mouth with guard grill

Fan with guard grill

Airflow

Direction

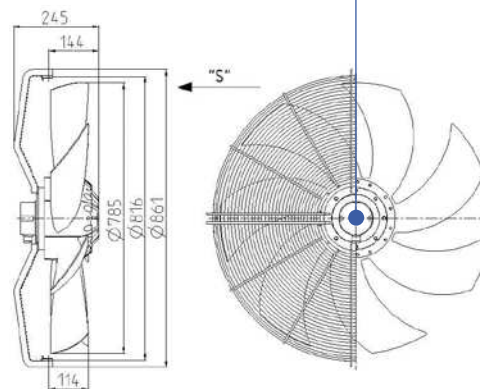
»S«

Type:

R18R-8030HA-12T2-7505

Code:

0318-4-0017



Weight:

34,8 kg

Fan without guard grill

Airflow

Direction

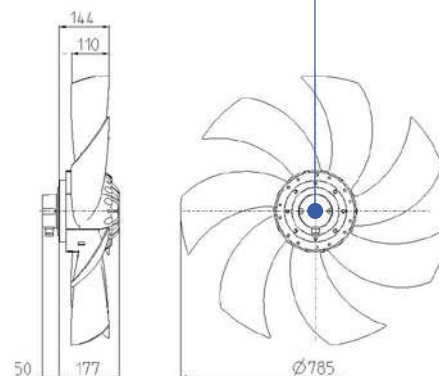
»S«

Type:

R18E-8030HA-12T2-7505

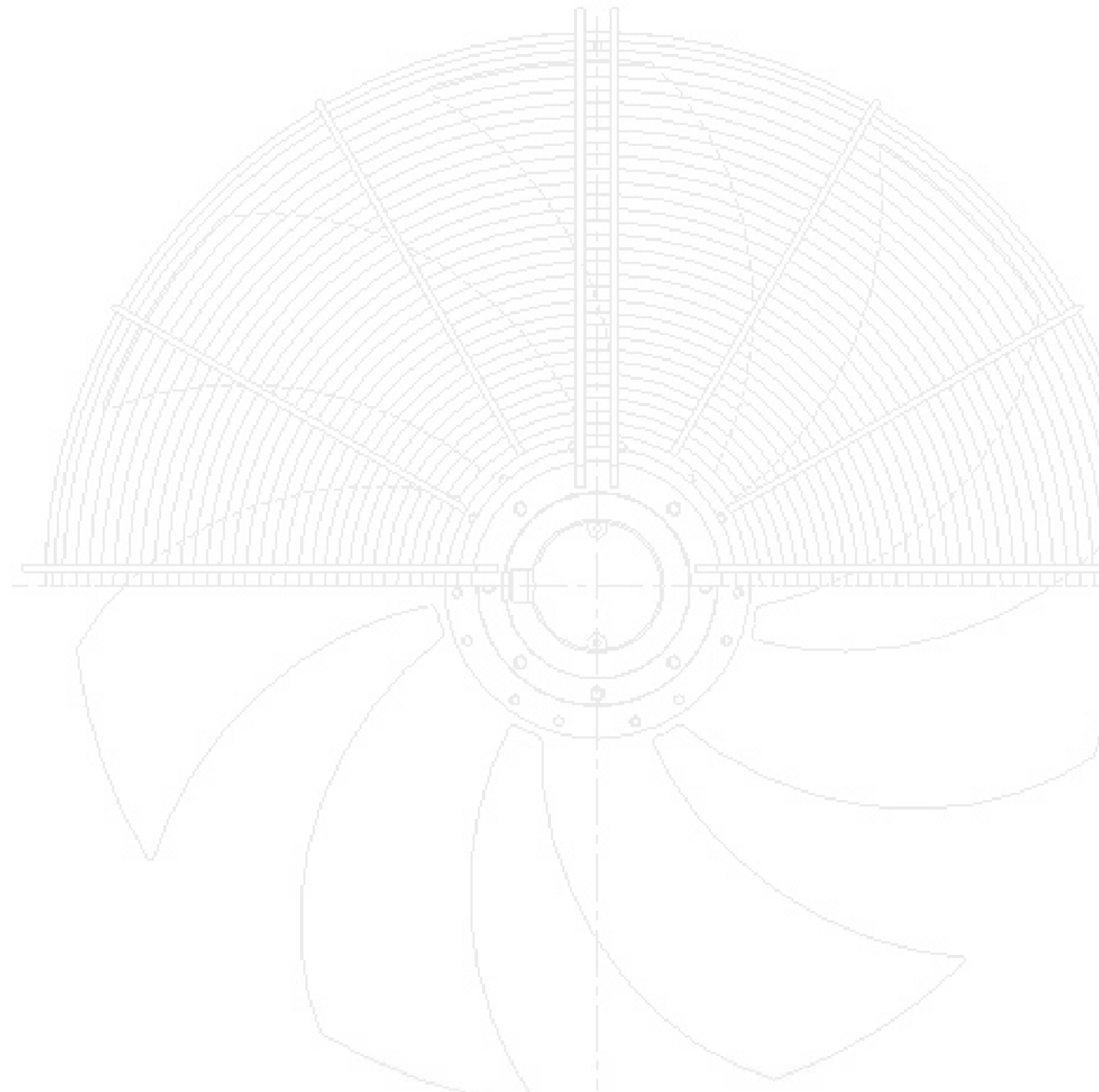
Code:

0318-4-0033



Weight:

29 kg



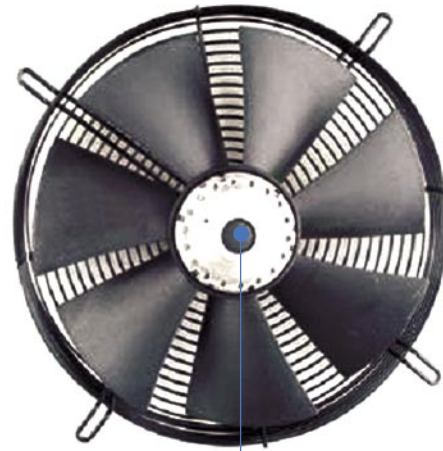
HEF Axial Fans



Example of type key for Axial fans with plastic blades

R11R-40LPS-4M2-3806

- R11** External rotor motor type (R09, R11, R13, R18)
- R** Accessory type (E-without guard grill, R-with guard grill, P-with guard grill and wall plate)
- 40** Fan diameter x 10 (exact diameters are stated in drawings)
- LP** Type of plastic blades (LP, EP, KP)
- S** Airflow direction (S/A - sucking, B/P - blowing)
- 4** Number of poles
- M** Number of phases (M-single phase, T-three phase)
- 2** Number of speeds
- 38** Motor stack height
- 06** Electrical design

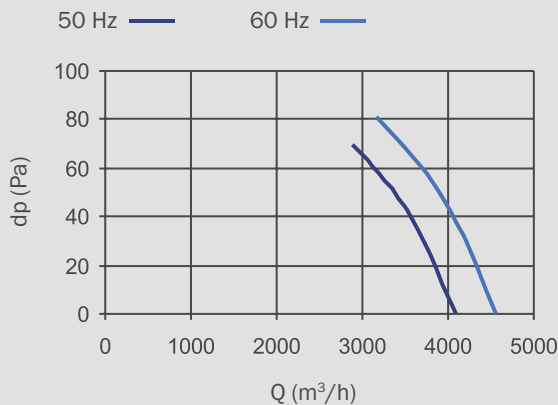


Axial Fans With Plastic Blades



Diameter: 400 mm

Aerodynamic characteristic:



Performance Data:

1~230V 50/60Hz
 P1 = 190/260W
 n = 1310/1450min⁻¹
 I = 0,85/1,10A
 t_R = 60 °C
 Lwa = 73/76dB(A)
 C = 6,3uF / 450V
 Connection: terminal box
 Ins.Cl. F
 IP44

Notes:

Fan characteristic measured in short bell mouth with guard grill

R11_-40LP_-4M-5150

Fan with wall plate

Airflow

Direction

»S«

»B«

Type:

R11P-40LPS-4M-5150

R11P-40LPB-4M-5150

Available on request

Fan with guard grill

Airflow

Direction

»S«

»B«

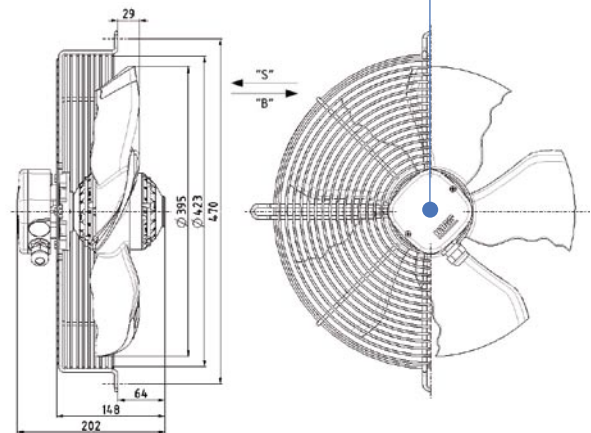
Type:

R11R-40LPS-4M-5150

R11R-40LPB-4M-5150

Code:

0311-4-0313



Weight:

6 kg

Fan without guard grill

Airflow

Direction

»S«

»B«

Type:

R11E-40LPS-4M-5150

R11E-40LPB-4M-5150

Available on request

Fan with wall plate**Airflow****Direction****Type:**

»S«

R11P-42LPS-4M-5150

»B«

R11P-42LPB-4M-5150

Available on request

R11_-42LP_-4M-5150

**Diameter:** 420 mm**Fan with guard grill****Airflow****Direction****Type:**

»S«

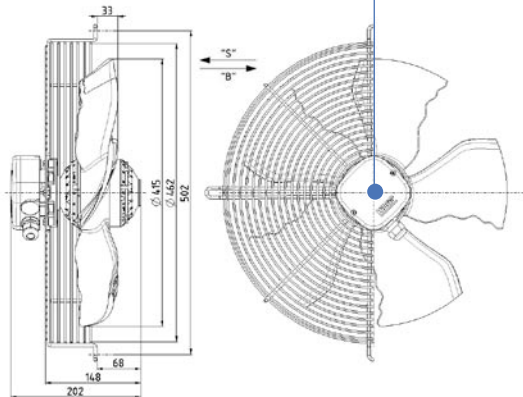
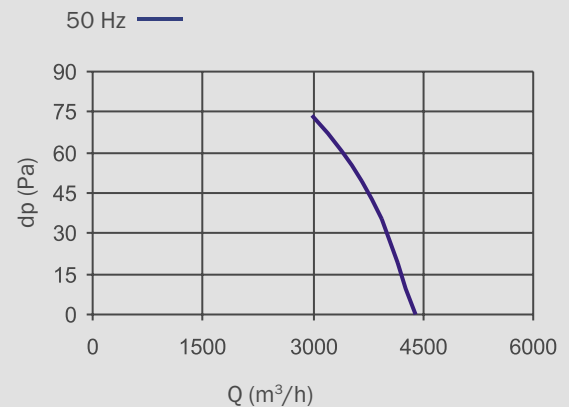
R11R-42LPS-4M-5150

»B«

R11R-42LPB-4M-5150

Code:

0311-4-0312

**Weight:**
6,1 kg**Aerodynamic characteristic:****Fan without guard grill****Airflow****Direction****Type:**

»S«

R11E-42LPS-4M-5150

»B«

R11E-42LPB-4M-5150

Available on request

Performance Data:

1~230V 50Hz

P1 = 220W

n = 1280min⁻¹

I = 1,0A

t_R = 60 °C

Lwa = 76dB(A)

C = 6,3uF / 450V

Connection: terminal box

Ins.Cl. F

IP44

Notes:

Fan characteristic measured in short bell mouth with guard grill

Fan with wall plate**Airflow****Direction****Type:**

»S«

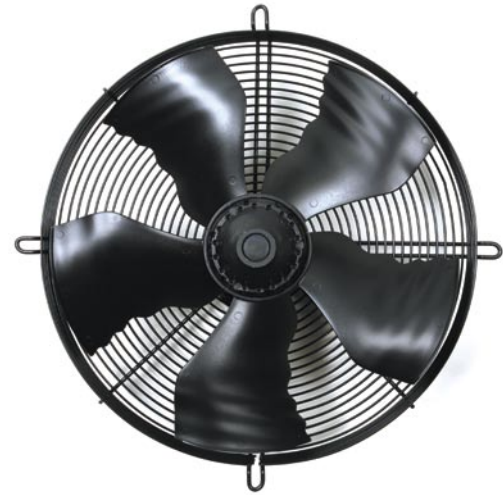
R11P-45LPS-6M-5105

»B«

R11P-45LPB-6M-5105

Available on request

R11_-45LP_-6M-5105

**Diameter:** 450 mm**Fan with guard grill****Airflow****Direction****Type:**

»S«

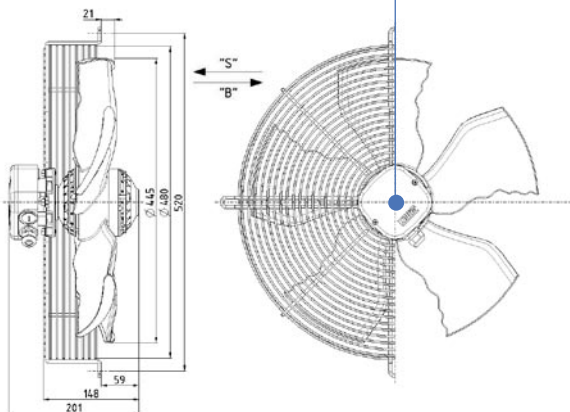
R11R-45LPS-6M-5105

»B«

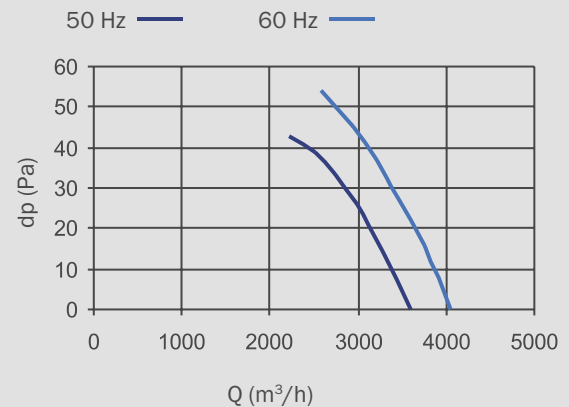
R11R-45LPB-6M-5105

Code:

0311-4-0300

**Weight:**

6,4 kg

Aerodynamic characteristic:**Fan without guard grill****Airflow****Direction****Type:**

»S«

R11E-45LPS-6M-5105

»B«

R11E-45LPB-6M-5105

Available on request

Performance Data:

1~230V 50/60Hz

 $P_1 = 125/165W$ $n = 900/1020min^{-1}$ $I = 0,55/0,70A$ $t_R = 50^{\circ}C$ $Lwa = 67 / 70 dB(A)$ $C = 5\mu F / 450V$

Connection: terminal box

Ins.Cl. F

IP44

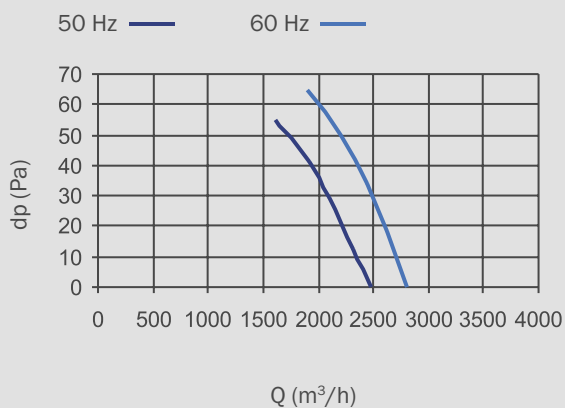
Notes:

Fan characteristic measured in short bell mouth with guard grill



Diameter: 350 mm

Aerodynamic characteristic:



Performance Data:

1~230V 50/60Hz
 $P_1 = 88 / 125W$
 $n = 1380 / 1560\text{min}^{-1}$
 $I = 0,39 / 0,56A$
 $t_R = 55^\circ C$
 $L_{wa} = 65 / 69\text{dB(A)}$
 $C = 4\mu F / 450V$
 Connection: terminal box
 Ins.Cl. F
 IP54

Notes:

Fan characteristic measured in short bell mouth with guard grill

R11_-35KP_-4M-3808

Fan with wall plate

Airflow

Direction

»S«

»B«

Type:

R11P-35KPA-4M-3808

R11P-35KPP-4M-3808

Available on request

Fan with guard grill

Airflow

Direction

»S«

»B«

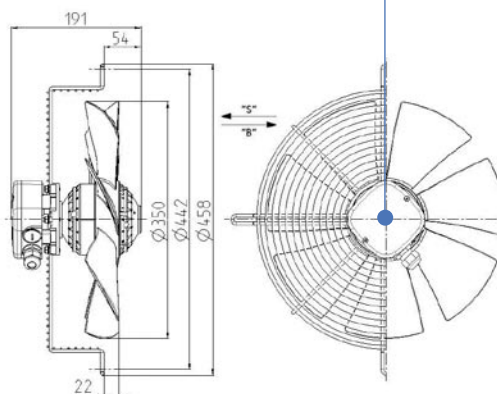
Type:

R11R-35KPA-4M-3808

R11R-35KPP-4M-3808

Code:

0311-4-0243



Weight:
5,5 kg

Fan without guard grill

Airflow

Direction

»S«

»B«

Type:

R11E-35KPA-4M-3808

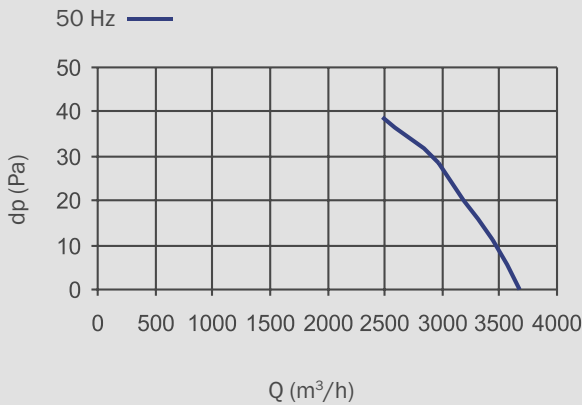
R11E-35KPP-4M-3808

Available on request



Diameter: 450 mm

Aerodynamic characteristic:



Performance Data:

1~230V 50Hz
 $P_1 = 125W$
 $n = 850\text{min}^{-1}$
 $I = 0,54A$
 $t_R = 50^\circ C$
 $L_{wa} = 68\text{dB(A)}$
 $C = 5\mu F / 450V$
 Connection: cable
 Ins.Cl. F
 IP44

Notes:

Fan characteristic measured in short bell mouth with guard grill

R11_-45EPA-6M-5105

Fan with wall plate

Airflow

Direction

- »S«
- »B«

Type:

R11P-45EPA-6M-5105
 R11P-45EPP-6M-5105

Available on request

Fan with guard grill

Airflow

Direction

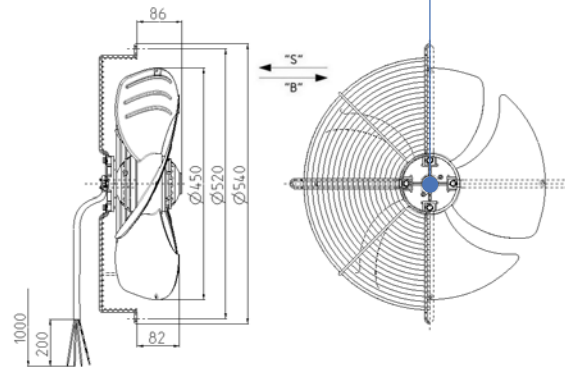
- »S«
- »B«

Type:

R11R-45EPA-6M-5105
 R11R-45EPP-6M-5105

Code:

0311-4-0111



Weight:
6,2 kg

Fan without guard grill

Airflow

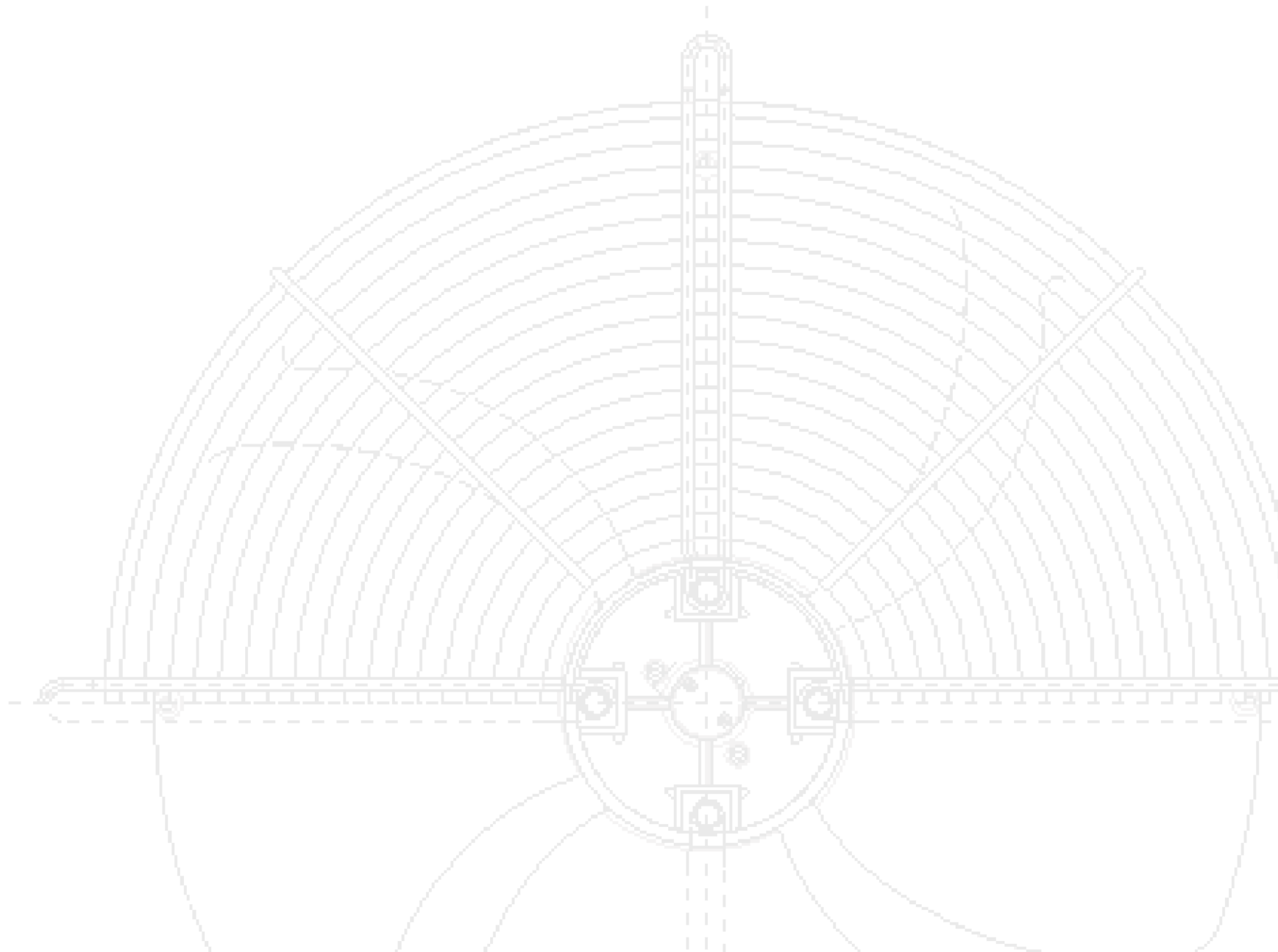
Direction

- »S«
- »B«

Type:

R11E-45EPA-6M-5105
 R11E-45EPP-6M-5105

Available on request

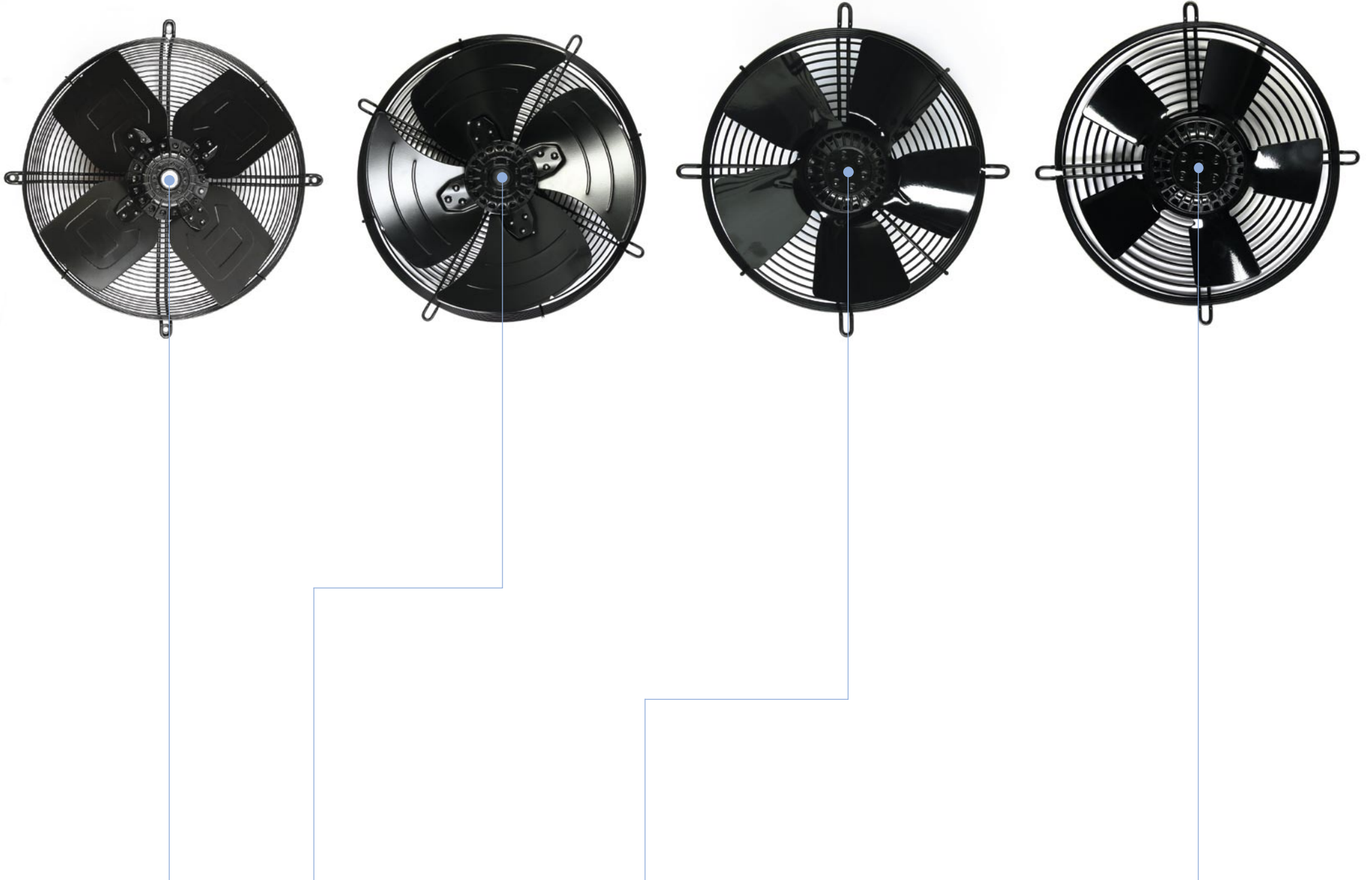


Axial Fans With Plastic Blades

Type key for Axial fans (example)

R09R-3532A-4T2-4200

- R09** External rotor motor type (R09, R11, R13, R18)
- R** Accessory type (E-without guard grill, R-with guard grill, P-with guard grill and wall plate)
- 35** Fan diameter x 10 (exact diameters are stated in drawings)
- 32** Blade angle
- A** Airflow direction (A-sucking, P-blowing)
- 4** Number of poles
- T** Number of phases (M-single phase, T-three phase)
- 2** Number of speeds
- 42** Motor stack height
- 00** Electrical design



Axial Fans



Diameter: 200 mm

R09_-2025_-2M-1511

Fan with wall plate

Airflow

Direction Type:

»S«

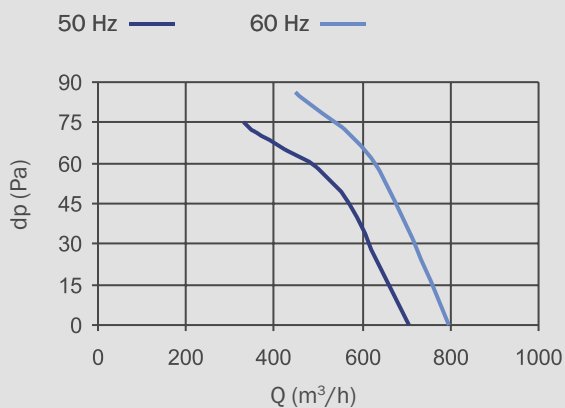
R09P-2025A-2M-1511

»B«

R09P-2025P-2M-1511

Available on request

Aerodynamic characteristic:



Performance Data:

1~230V 50/60Hz

$P_1 = 45 / 55W$

$n = 2580 / 2850\text{min}^{-1}$

$I = 0,21 / 0,24A$

$t_R = 70^\circ C$

$Lwa = 65,7 / 69\text{dB(A)}$

$C = 1,5\mu F / 450V$

Connection: cable

Ins.Cl. F

IP44

Notes:

Fan characteristic measured in full bell mouth with guard grill

Fan with guard grill

Airflow

Direction Type:

»S«

R09R-2025A-2M-1511

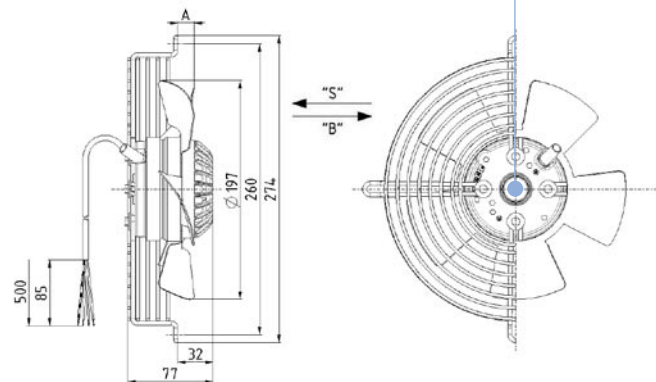
»B«

R09R-2025P-2M-1511

Code:

0309-4-0190

0309-4-0214



»S« Dimension A = 13 mm

»B« Dimension A = 47 mm

Weight:

1,6 kg

Fan without guard grill

Airflow

Direction Type:

»S«

R09E-2025A-2M-1511

»B«

R09E-2025P-2M-1511

Available on request

Fan with wall plate**Airflow****Direction****Type:**

»S« R09P-2025A-4M-2516

»B« R09P-2025P-4M-2516

Available on request

R09_-2025_-4M-2516

**Diameter:** 200 mm**Fan with guard grill****Airflow****Direction****Type:**

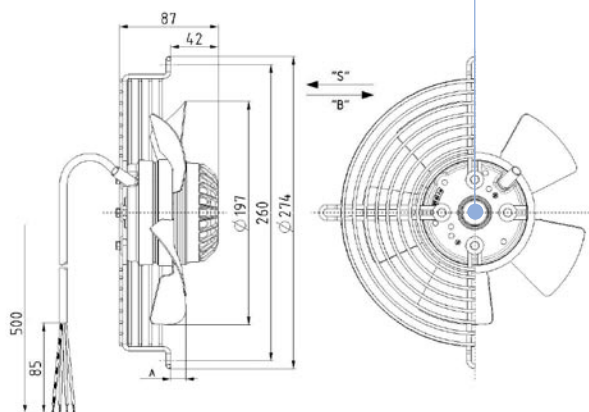
»S« R09R-2025A-4M-2516

»B« R09R-2025P-4M-2516

Code:

0309-4-0213

0309-4-0215



»S« Dimension A = 13 mm

»B« Dimension A = 47 mm

Weight:

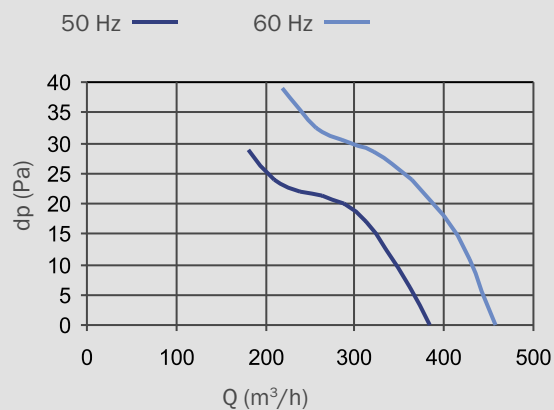
1,9 kg

Fan without guard grill**Airflow****Direction****Type:**

»S« R09E-2025A-4M-2516

»B« R09E-2025P-4M-2516

Available on request

Aerodynamic characteristic:**Performance Data:**

1~230V 50/60Hz

 $P_1 = 30 / 38W$ $n = 1430 / 1680\text{min}^{-1}$ $I = 0,14 / 0,17A$ $t_R = 65^\circ C$ $L_{wa} = 52 / 54\text{dB(A)}$ $C = 1,5\mu F / 450V$

Connection: cable

Ins.Cl. F

IP44

Notes:

Fan characteristic measured in full bell mouth with guard grill



Diameter: 250 mm

R09_-2525P-2M-3510

Fan with wall plate

Airflow

Direction Type:

»S«

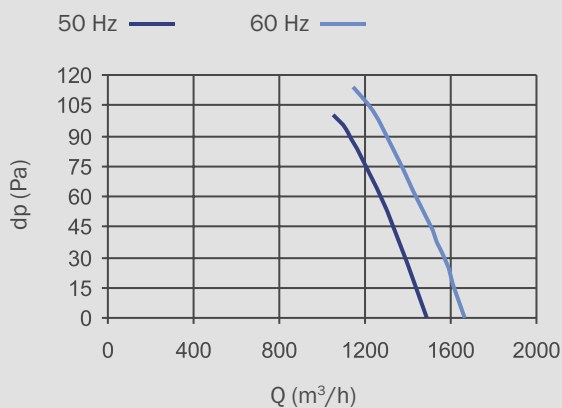
R09P-2525A-2M-3510

»B«

R09P-2525P-2M-3510

Available on request

Aerodynamic characteristic:



Performance Data:

1~230V 50/60Hz

$P_1 = 95 / 130W$

$n = 2700 / 2950min^{-1}$

$I = 0,44 / 0,58A$

$t_R = 50^\circ C$

$L_{wa} = 71,5 / 73dB(A)$

$C = 4\mu F / 450V$

Connection: cable

Ins.Cl. F

IP44

Notes:

Fan characteristic measured in full bell mouth with guard grill

Fan with guard grill

Airflow

Direction Type:

»S«

R09R-2525A-2M-3510

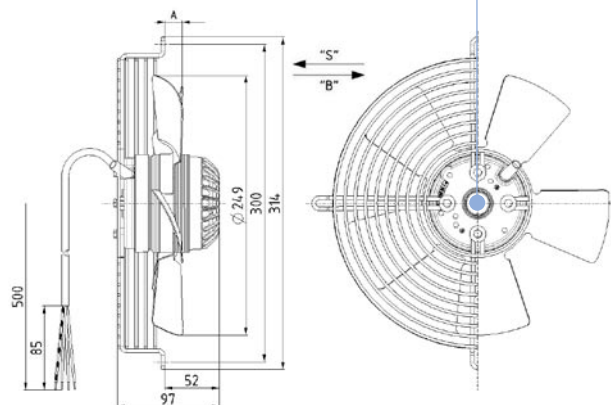
»B«

R09R-2525P-2M-3510

Code:

0309-4-0198

0309-4-0216



»S« Dimension A = 12 mm

»B« Dimension A = 48 mm

Weight:

2,5 kg

Fan without guard grill

Airflow

Direction Type:

»S«

R09E-2525A-2M-3510

»B«

R09E-2525P-2M-3510

Available on request

Fan with wall plate**Airflow****Direction****Type:**

»S« R09P-2525A-4M-2516

»B« R09P-2525P-4M-2516

Available on request

R09_-2525_-4M-2516

**Diameter:** 250 mm**Fan with guard grill****Airflow****Direction****Type:**

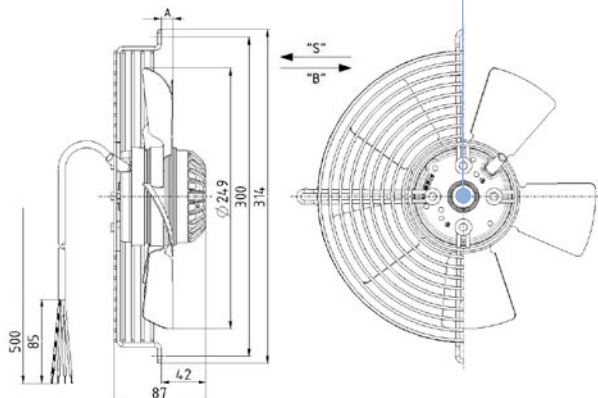
»S« R09R-2525A-4M-2516

»B« R09P-2525P-4M-2516

Code:

0309-4-0199

0309-4-0217



»S« Dimension A = 12 mm

»B« Dimension A = 48 mm

Weight:

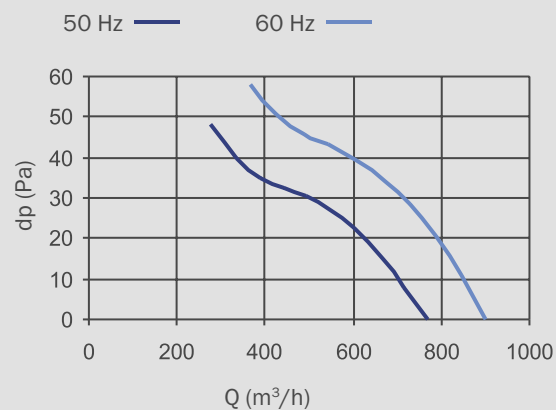
2,1 kg

Fan without guard grill**Airflow****Direction****Type:**

»S« R09E-2525A-4M-2516

»B« R09E-2525P-4M-2516

Available on request

Aerodynamic characteristic:**Performance Data:**

1~230V 50/60Hz

 $P_1 = 35 / 44W$ $n = 1430 / 1680\text{min}^{-1}$ $I = 0,16 / 0,18A$ $t_R = 70^\circ C$ $L_{wa} = 58,5 / 61\text{dB(A)}$ $C = 1,5\mu F / 450V$

Connection: cable

Ins.Cl. F

IP44

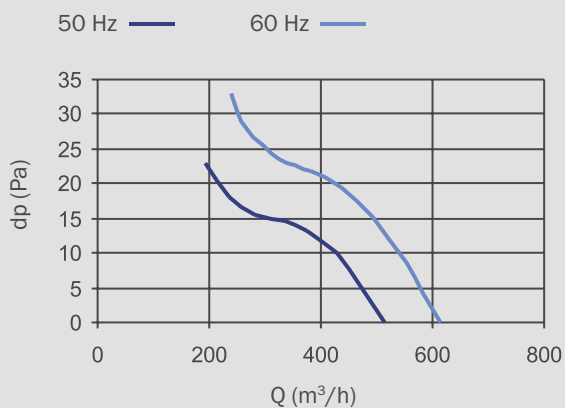
Notes:

Fan characteristic measured in full bell mouth with guard grill



Diameter: 250 mm

Aerodynamic characteristic:



Performance Data:

1~230V 50/60Hz
 $P_1 = 36 / 41W$
 $n = 980 / 1160\text{min}^{-1}$
 $I = 0,16 / 0,18A$
 $t_R = 55^\circ C$
 $L_{wa} = 43,7 / 45\text{dB}(A)$
 $C = 1,5\mu F / 450V$
 Connection: cable
 Ins.Cl. F
 IP44

Notes:

Fan characteristic measured in full bell mouth with guard grill

R09_-2525_-6M-2515

Fan with wall plate

Airflow

Direction Type:

»S« R09P-2525A-6M-2515
 »B« R09P-2525P-6M-2515

Available on request

Fan with guard grill

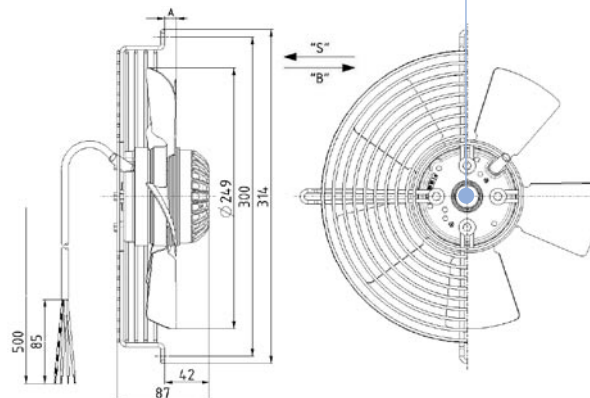
Airflow

Direction Type:

»S« R09R-2525A-6M-2515
 »B« R09R-2525P-6M-2515

Code:

0309-4-0191
 0309-4-0218



»S« Dimension A = 12 mm
 »B« Dimension A = 48 mm

Weight:
 2,1 kg

Fan without guard grill

Airflow

Direction Type:

»S« R09E-2525A-6M-2515
 »B« R09E-2525P-6M-2515

Available on request

Fan with wall plate**Airflow****Direction****Type:**

»S«

R09P-2528A-4M-2516

»B«

R09P-2528P-4M-2516

Available on request

R09_-2528_-4M-2516

**Diameter:** 250 mm**Fan with guard grill****Airflow****Direction****Type:**

»S«

R09R-2528A-4M-2516

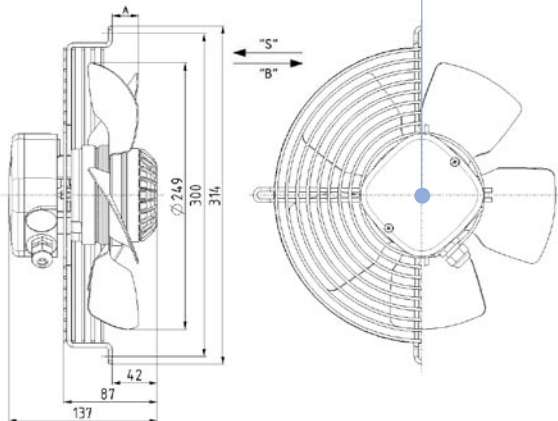
»B«

R09R-2528P-4M-2516

Code:

0309-4-0211

0309-4-0261



»S« Dimension A = 27 mm

»B« Dimension A = 27 mm

Weight:

3,4 kg

Fan without guard grill**Airflow****Direction****Type:**

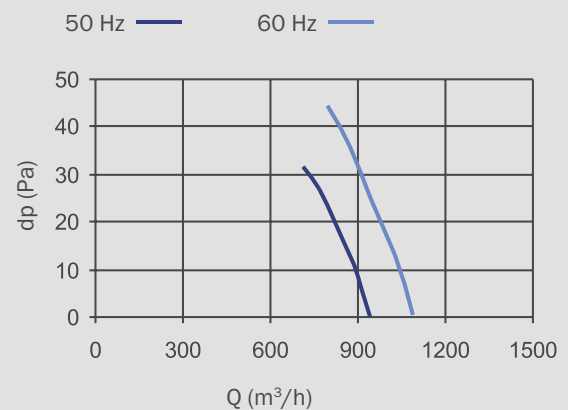
»S«

R09E-2528A-4M-2516

»B«

R09E-2528P-4M-2516

Available on request

Aerodynamic characteristic:**Performance Data:**

1~230V 50/60Hz

 $P_1 = 40 / 52W$ $n = 1360 / 1550min^{-1}$ $I = 0,17 / 0,22A$ $t_R = 70^{\circ}C$ $L_{wa} = 60 / 62,5dB(A)$ $C = 1,5uF / 450V$

Connection: terminal box

Ins.Cl. F

IP54

Notes:

Fan characteristic measured in short bell mouth with guard grill



Diameter: 300 mm

R09_-3028_-4M-3509

Fan with wall plate

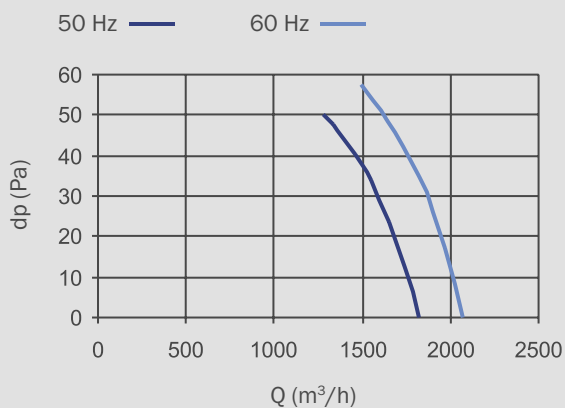
Airflow

Direction Type:

- »S« R09P-3028A-4M-3509
- »B« R09P-3028P-4M-3509

Available on request

Aerodynamic characteristic:



Performance Data:

1~230V 50/60Hz
 $P_1 = 74 / 92W$
 $n = 1330 / 1470\text{min}^{-1}$
 $I = 0,34 / 0,40A$
 $t_R = 50^\circ C$
 $L_{wa} = 67 / 70\text{dB(A)}$
 $C = 2,5\mu F / 450V$
 Connection: terminal box
 Ins.Cl. F
 IP54

Notes:

Fan characteristic measured in short bell mouth with guard grill

Fan with guard grill

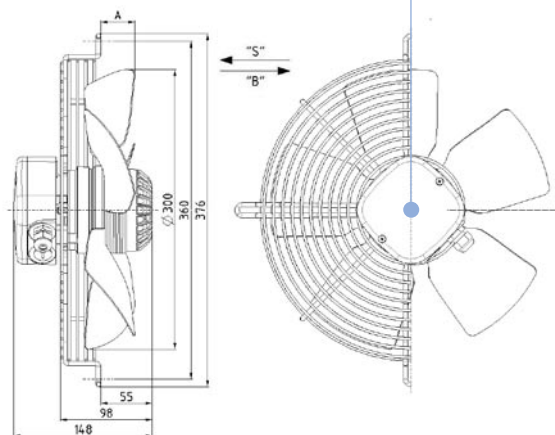
Airflow

Direction Type:

- »S« R09R-3028A-4M-3509
- »B« R09R-3028P-4M-3509

Code:

0309-4-0100
 0309-4-0121



- »S« Dimension A = 39 mm
- »B« Dimension A = 39 mm

Weight:
 3,4 kg

Fan without guard grill

Airflow

Direction Type:

- »S« R09E-3028A-4M-3509
- »B« R09E-3028P-4M-3509

Available on request

Fan with wall plate**Airflow****Direction****Type:**

»S«

R09P-3028A-4T-2513

»B«

R09P-3028P-4T-2513

Available on request

R09_-3028_-4T-2513

**Diameter:** 300 mm**Fan with guard grill****Airflow****Direction****Type:**

»S«

R09R-3028A-4T-2513

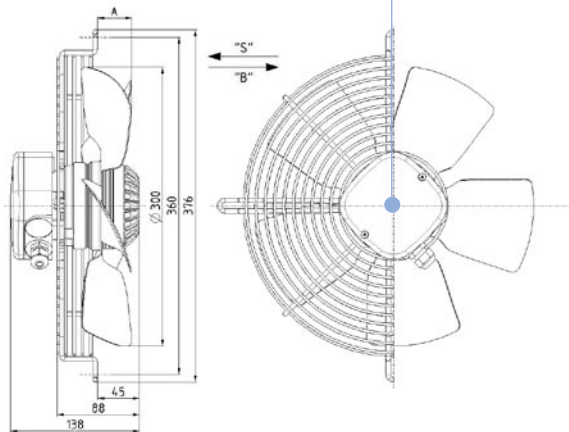
»B«

R09R-3028P-4T-2513

Code:

0309-4-0059

0309-4-0035



»S« Dimension A = 39 mm

»B« Dimension A = 39 mm

Weight:

3 kg

Fan without guard grill**Airflow****Direction****Type:**

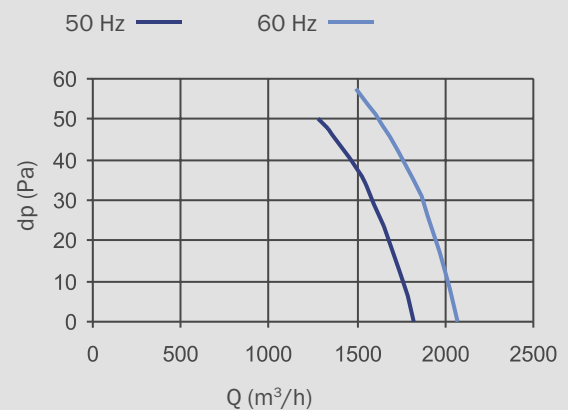
»S«

R09E-3028A-4T-2513

»B«

R09E-3028P-4T-2513

Available on request

Aerodynamic characteristic:**Performance Data:**

3~230 / 400V 50/60Hz

 $P_1 = 72 / 81W$ $n = 1300 / 1440min^{-1}$ $I = 0,31 / 0,18A / 0,28 / 0,16A$ $t_R = 50^\circ C$

LWA = 66 / 69dB(A)

Connection: terminal box

Ins.Cl. F

IP54

Notes:

Fan characteristic measured in short bell mouth with guard grill



Diameter: 315 mm

R09_-3132_-4M-3509

Fan with wall plate

Airflow

Direction

»S«

»B«

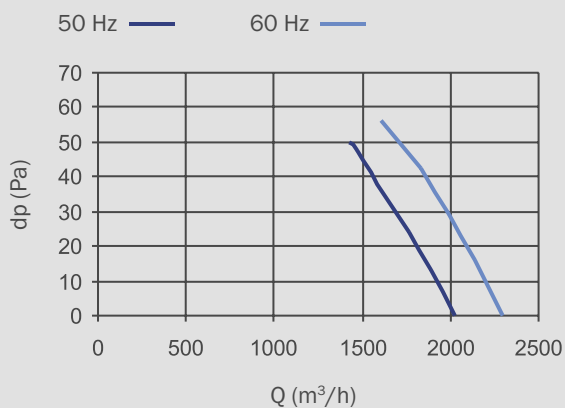
Type:

R09P-3132A-4M-3509

R09P-3132P-4M-3509

Available on request

Aerodynamic characteristic:



Performance Data:

1~230V 50/60Hz

$P_1 = 86 / 117W$

$n = 1340 / 1490\text{min}^{-1}$

$I = 0,38 / 0,51A$

$t_R = 55 / 45^\circ C$

$L_{wa} = 68 / 72\text{dB(A)}$

$C = 3,15\mu F / 450V$

Connection: terminal box

Ins.Cl. F

IP54

Notes:

Fan characteristic measured in short bell mouth with guard grill

Fan with guard grill

Airflow

Direction

»S«

»B«

Type:

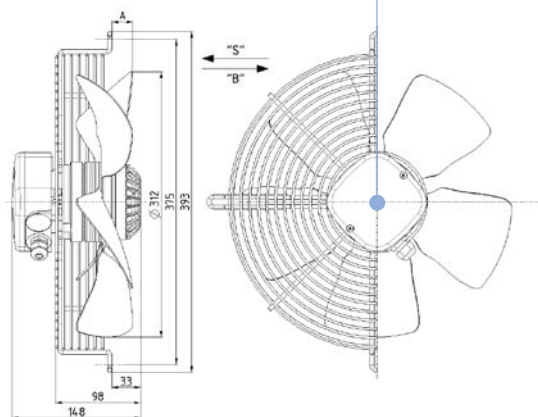
R09R-3132A-4M-3509

R09R-3132P-4M-3509

Code:

0309-4-0048

0309-4-0075



»S« Dimension A = 27 mm

»B« Dimension A = 32 mm

Weight:

3,5 kg

Fan without guard grill

Airflow

Direction

»S«

»B«

Type:

R09E-3132A-4M-3509

R09E-3132P-4M-3509

Available on request

Fan with wall plate**Airflow****Direction****Type:**

»S«

R09P-3132A-4T-3524

»B«

R09P-3132P-4T-3524

Available on request

R09_-3132_-4T-3524

**Diameter:** 315 mm**Fan with guard grill****Airflow****Direction****Type:**

»S«

R09R-3132A-4T-3524

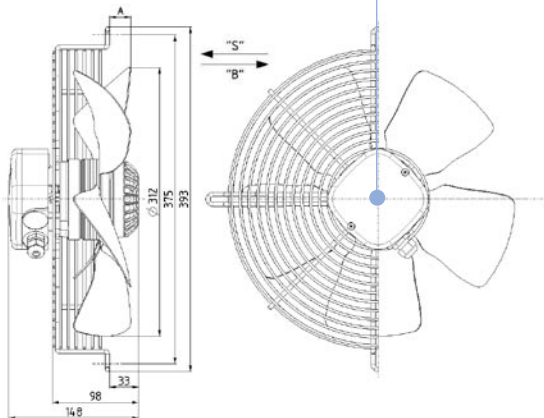
»B«

R09R-3132P-4T-3524

Code:

0309-4-0130

0309-4-0091



»S« Dimension A = 27 mm

»B« Dimension A = 32 mm

Weight:

4 kg

Fan without guard grill**Airflow****Direction****Type:**

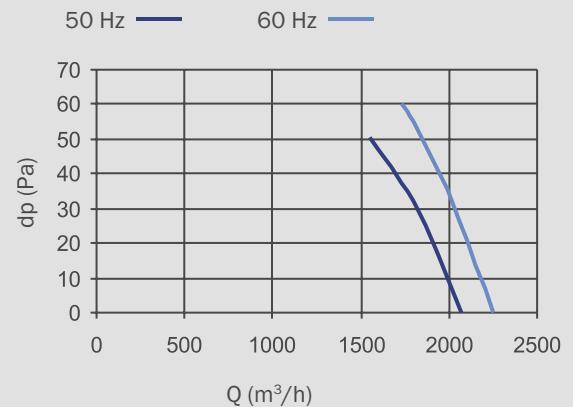
»S«

R09E-3132A-4T-3524

»B«

R09E-3132P-4T-3524

Available on request

Aerodynamic characteristic:**Performance Data:**

3~230 / 400V 50/60Hz

 $P_1 = 80 / 102W$ $n = 1350 / 1500\text{min}^{-1}$ $I = 0,34 / 0,20A / 0,33 / 0,19A$ $t_R = 65^\circ C$

Lwa = 68 / 72dB(A)

Connection: terminal box

Ins.Cl. F

IP54

Notes:

Fan characteristic measured in short bell mouth with guard grill



Diameter: 330 mm

R09_-3332_-4M-4228

Fan with wall plate

Airflow

Direction Type:

»S«

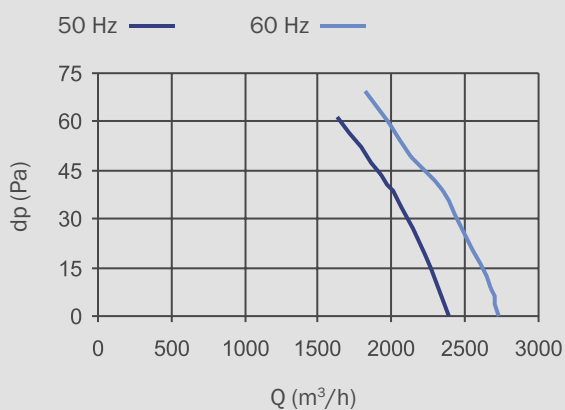
R09P-3332A-4M-4228

»B«

R09P-3332P-4M-4228

Available on request

Aerodynamic characteristic:



Performance Data:

1~230V 50/60Hz

$P_1 = 130 / 170W$

$n = 1330 / 1480min^{-1}$

$I = 0,58 / 0,78A$

$t_R = 60^\circ C$

$L_{wa} = 70 / 72dB(A)$

$C = 4\mu F / 450V$

Connection: terminal box

Ins.Cl. F

IP54

Notes:

Fan characteristic measured in short bell mouth with guard grill

Fan with guard grill

Airflow

Direction Type:

»S«

R09R-3332A-4M-4228

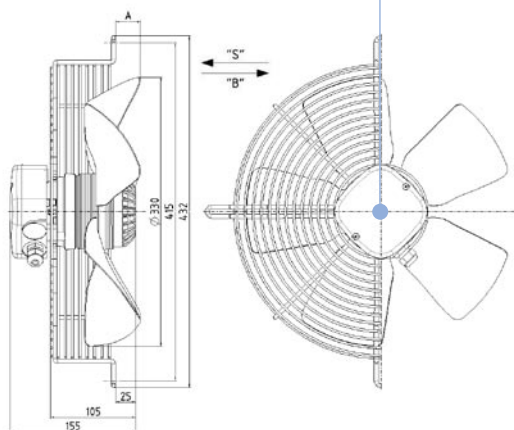
»B«

R09R-3332P-4M-4228

Code:

0309-4-0264

0309-4-0265



»S« Dimension A = 34 mm

»B« Dimension A = 34 mm

Weight:

3,5 kg

Fan without guard grill

Airflow

Direction Type:

»S«

R09E-3332A-4M-4228

»B«

R09E-3332P-4M-4228

Available on request

Fan with wall plate

Airflow

Direction

Type:

- »S« R09P-3532A-4M-4200
- »B« R09P-3532P-4M-4200

Available on request

R09_-3532_-4M-4200



Diameter: 350 mm

Fan with guard grill

Airflow

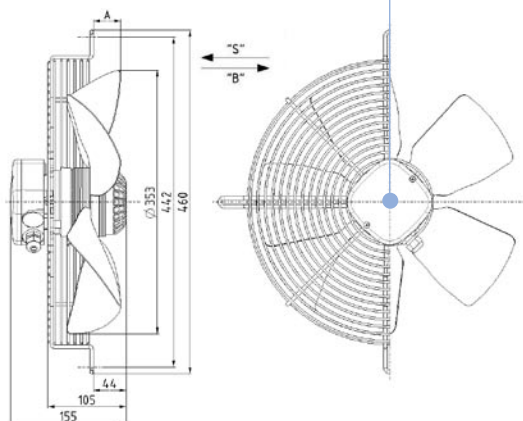
Direction

Type:

- »S« R09R-3532A-4M-4200
- »B« R09R-3532P-4M-4200

Code:

- 0309-4-0108
- 0309-4-0221



- »S« Dimension A = 40 mm
- »B« Dimension A = 40 mm

Weight:
4 kg

Fan without guard grill

Airflow

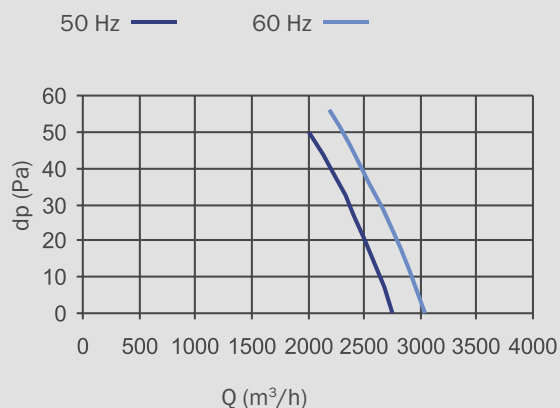
Direction

Type:

- »S« R09E-3532A-4M-4200
- »B« R09E-3532P-4M-4200

Available on request

Aerodynamic characteristic:



Performance Data:

- 1~230V 50/60Hz
- $P_1 = 155 / 158W$
- $n = 1270 / 1390min^{-1}$
- $I = 0,75 / 0,68A$
- $t_R = 50^\circ C$
- $Lwa = 71 / 73dB(A)$
- $C = 5uF / 450V$
- Connection: terminal box
- Ins.Cl. F
- IP54

Notes:

Fan characteristic measured in short bell mouth with guard grill



R09_-3532_-4T-4203

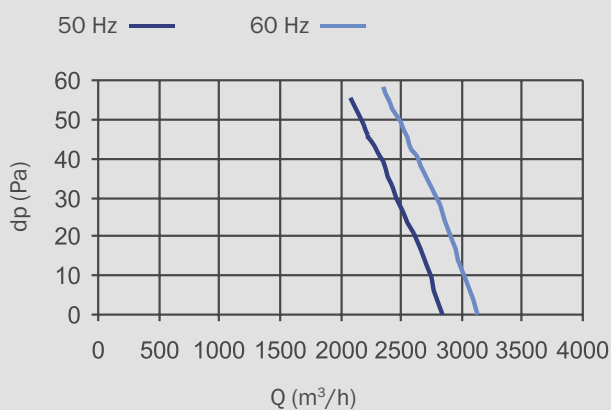
Fan with wall plate**Airflow****Direction**

- »S«
- »B«

Type:

R09P-3532A-4T-4203
R09P-3532P-4T-4203

Available on request

Diameter: 350 mm**Aerodynamic characteristic:****Performance Data:**

3~230 / 400V 50/60Hz

 $P_1 = 135 / 165W$ $n = 1340 / 1460min^{-1}$ $I = 0,55 / 0,31A$ $t_R = 50^\circ C$

Lwa = 72 / 75dB(A)

Connection: terminal box

Ins.Cl. F

IP54

Notes:

Fan characteristic measured in short bell mouth with guard grill

Fan with guard grill**Airflow****Direction**

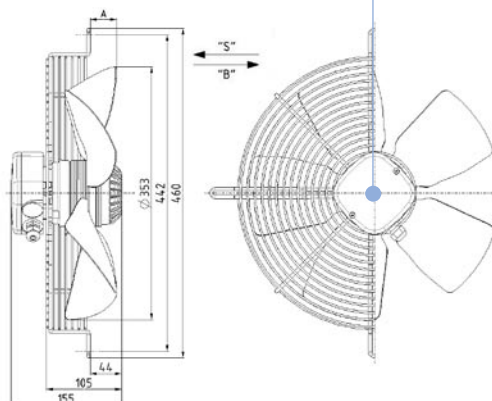
- »S«
- »B«

Type:

R09R-3532A-4T-4203
R09R-3532P-4T-4203

Code:

0309-4-0222
0309-4-0223



»S« Dimension A = 40 mm

»B« Dimension A = 40 mm

Weight:

4 kg

Fan without guard grill**Airflow****Direction**

- »S«
- »B«

Type:

R09E-3532A-4T-4203
R09E-3532P-4T-4203

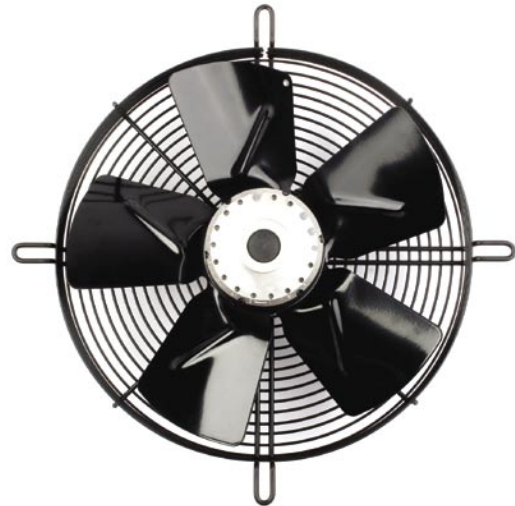
Available on request

Fan with wall plate**Airflow****Direction****Type:**

- »S« R11P-3530A-4M-3119
 »B« R11P-3530P-4M-3119

Available on request

R11_-3530_-4M-3119



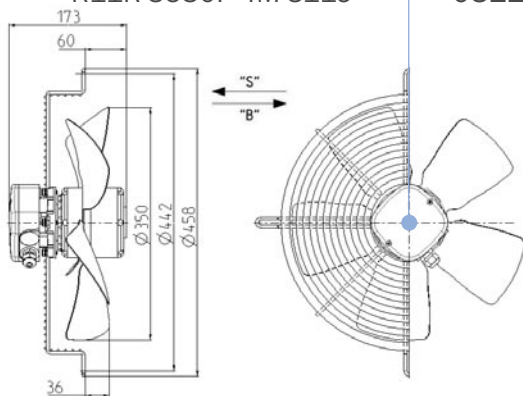
Diameter: 350 mm

Fan with guard grill**Airflow****Direction****Type:**

- »S« R11R-3530A-4M-3119
 »B« R11R-3530P-4M-3119

Code:

- 0311-4-0196
 0311-4-0157



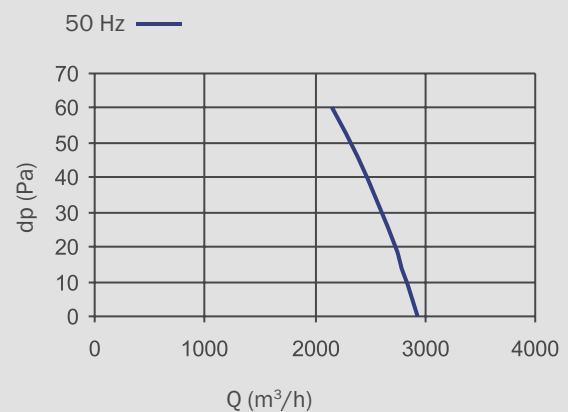
- »S« Dimension A = 36 mm
 »B« Dimension A = 36 mm

Weight:
 5 kg

Fan without guard grill**Airflow****Direction****Type:**

- »S« R09E-3530A-4M-3119
 »B« R09E-3530P-4M-3119

Available on request

Aerodynamic characteristic:**Performance Data:**

1~230V 50Hz
 $P_1 = 128W$
 $n = 1370 / \text{min}^{-1}$
 $I = 0,56A$
 $t_R = 60^\circ C$
 $L_{wa} = 67\text{dB}(A)$
 $C = 5\mu F / 450V$
 Connection: terminal box
 Ins.Cl. F
 IP54

Notes:

Fan characteristic measured in short bell mouth with guard grill



Diameter: 400 mm

R11_-4025_-4M-5137

Fan with wall plate

Airflow

Direction Type:

»S«

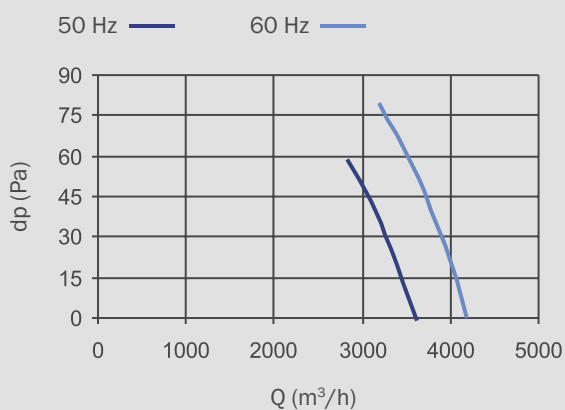
R11P-4025A-4M-5137

»B«

R11P-4025P-4M-5137

Available on request

Aerodynamic characteristic:



Performance Data:

1~230V 50/60Hz

$P_1 = 170 / 205W$

$n = 1370 / 1570\text{min}^{-1}$

$I = 0,82 / 0,89A$

$t_R = 65 / 45^\circ C$

$L_{wa} = 71 / 74\text{dB(A)}$

$C = 6,3\mu F / 450V$

Connection: terminal box

Ins.Cl. F

IP54

Notes:

Fan characteristic measured in short bell mouth with guard grill

Fan with guard grill

Airflow

Direction Type:

»S«

R11R-4025A-4M-5137

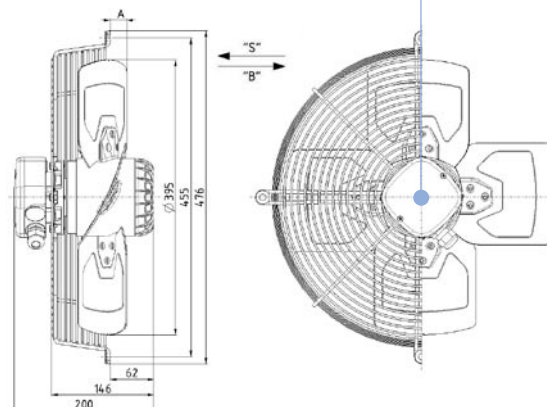
»B«

R11R-4025P-4M-5137

Code:

0311-4-0194

0311-4-0195



»S« Dimension A = 33 mm

»B« Dimension A = 48 mm

Weight:

6.1 kg

Fan without guard grill

Airflow

Direction Type:

»S«

R11E-4025A-4M-5137

»B«

R11E-4025P-4M-5137

Available on request

Fan with wall plate**Airflow****Direction****Type:**

- »S« R11P-4030A-4M-5137
 »B« R11P-4030P-4M-5137

Available on request

R11_-4030_-4M-5137



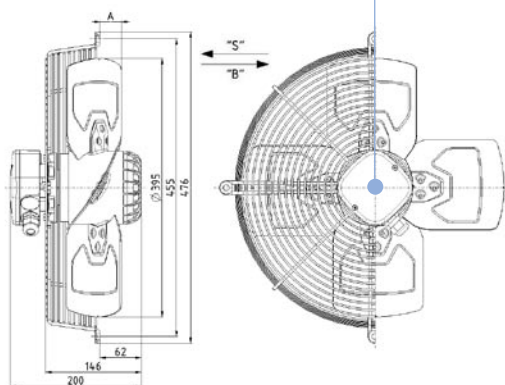
Diameter: 400 mm

Fan with guard grill**Airflow****Direction****Type:**

- »S« R11R-4030A-4M-5137
 »B« R11R-4030P-4M-5137

Code:

- 0311-4-0192
 0311-4-0193



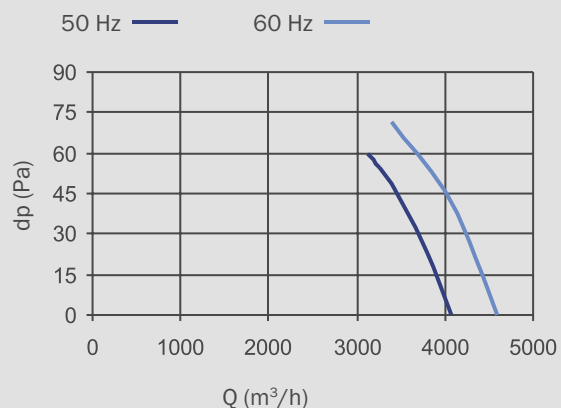
- »S« Dimension A = 41 mm
 »B« Dimension A = 53 mm

Weight:
 6,1 kg

Fan without guard grill**Airflow****Direction****Type:**

- »S« R11E-4030A-4M-5137
 »B« R11E-4030P-4M-5137

Available on request

Aerodynamic characteristic:**Performance Data:**

1~230V 50/60Hz
 $P_1 = 200 / 265W$
 $n = 1345 / 1500min^{-1}$
 $I = 0,90 / 1,15A$
 $t_R = 65 / 45^\circ C$
 $Lwa = 72 / 76dB(A)$
 $C = 6,3uF / 450V$
 Connection: terminal box
 Ins.Cl. F
 IP54

Notes:

Fan characteristic measured in short bell mouth with guard grill



Diameter: 400 mm

R11_-4035_-4M-5715

Fan with wall plate

Airflow

Direction Type:

»S«

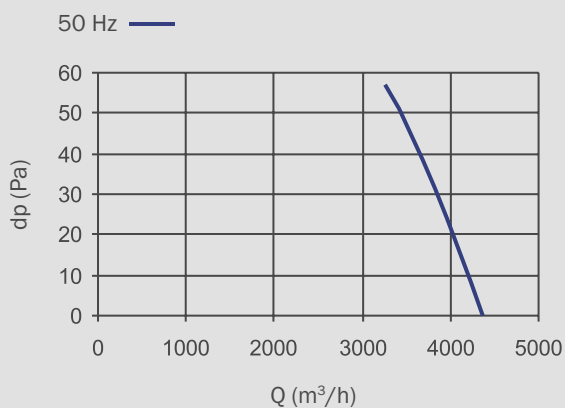
R11P-4035A-4M-5715

»B«

R11P-4035P-4M-5715

Available on request

Aerodynamic characteristic:



Performance Data:

1~230V 50Hz

$P_1 = 245W$

$n = 1320\text{min}^{-1}$

$I = 1,15A$

$t_R = 50^\circ\text{C}$

$L_{wa} = 73\text{dB(A)}$

$C = 6,3\mu\text{F} / 450V$

Connection: terminal box

Ins.Cl. F

IP54

Notes:

Fan characteristic measured in short bell mouth with guard grill

Fan with guard grill

Airflow

Direction Type:

»S«

R11R-4035A-4M-5715

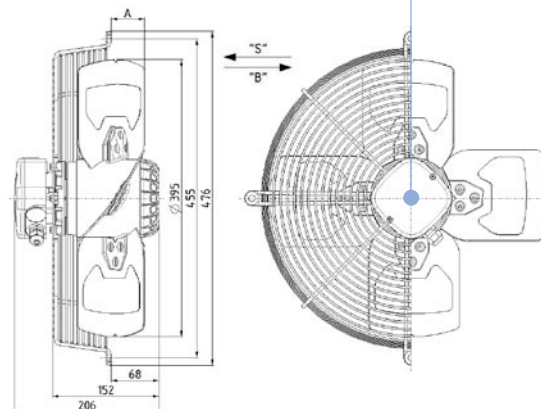
»B«

R11R-4035P-4M-5715

Code:

0311-4-0028

0311-4-0047



»S« Dimension A = 49 mm

»B« Dimension A = 61 mm

Weight:

6,3 kg

Fan without guard grill

Airflow

Direction Type:

»S«

R11E-4035A-4M-5715

»B«

R11E-4035P-4M-5715

Available on request

Fan with wall plate**Airflow****Direction****Type:**

- »S« R11P-4025A-4T2-3830
 »B« R11P-4025P-4T2-3830

Available on request

R11_-4025_-4T2-3830



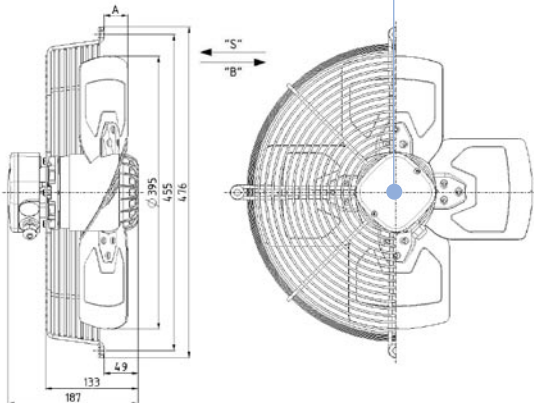
Diameter: 400 mm

Fan with guard grill**Airflow****Direction****Type:**

- »S« R11R-4025A-4T2-3830
 »B« R11R-4025P-4T2-3830

Code:

- 0311-4-0187
 0311-4-0188



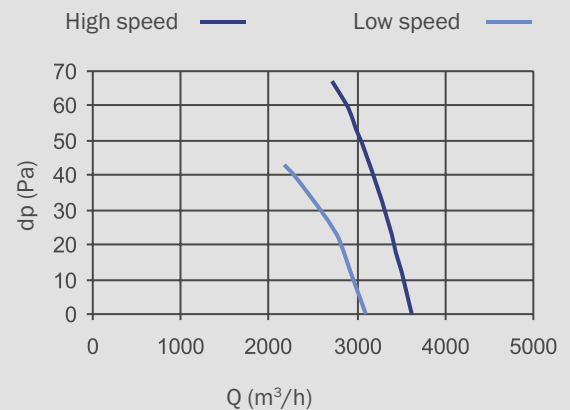
- »S« Dimension A = 33 mm
 »B« Dimension A = 48 mm

Weight:
 5,7 kg

Fan without guard grill**Airflow****Direction****Type:**

- »S« R11E-4025A-4T2-3830
 »B« R11E-4025P-4T2-3830

Available on request

Aerodynamic characteristic:**Performance Data:**

3~400V D/Y 50Hz
 $P_1 = 155 / 113W$
 $n = 1390 / 1170\text{min}^{-1}$
 $I = 0,29 / 0,18A$
 $t_R = 70^\circ C$
 $L_{wa} = 70 / 66\text{dB(A)}$
 Connection: terminal box
 Ins.Cl. F
 IP54

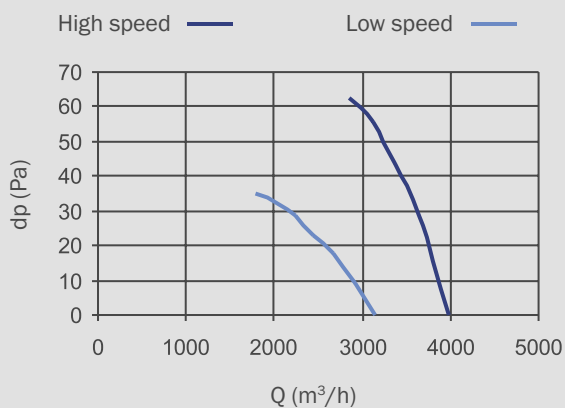
Notes:

Fan characteristic measured in short bell mouth with guard grill



Diameter: 400 mm

Aerodynamic characteristic:



Performance Data:

3~400V D/Y 50Hz
 $P_1 = 195 / 130W$
 $n = 1320 / 1000min^{-1}$
 $I = 0,34 / 0,21A$
 $t_R = 70^\circ C$
 $Lwa = 73 / 66dB(A)$
 Connection: box
 Ins.Cl. F
 IP54

Notes:

Fan characteristic measured in short bell mouth with guard grill

R11_-4030_-4T2-3830

Fan with wall plate

Airflow

Direction Type:

»S« R11P-4030A-4T2-3830
 »B« R11P-4030P-4T2-3830

Available on request

Fan with guard grill

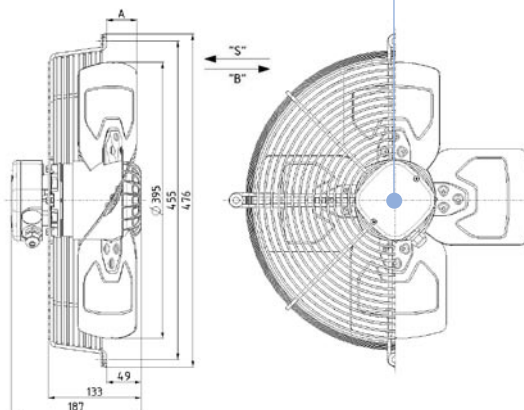
Airflow

Direction Type:

»S« R11R-4030A-4T2-3830
 »B« R11R-4030P-4T2-3830

Code:

0311-4-0034
 0311-4-0042



»S« Dimension A = 41 mm
 »B« Dimension A = 53 mm

Weight:
 5,7 kg

Fan without guard grill

Airflow

Direction Type:

»S« R11E-4030A-4T2-3830
 »B« R11E-4030P-4T2-3830

Available on request

Fan with wall plate**Airflow****Direction****Type:**

- »S« R11P-4035A-4T2-5745
 »B« R11P-4035P-4T2-5745

Available on request

R11_-4035_-4T2-5745



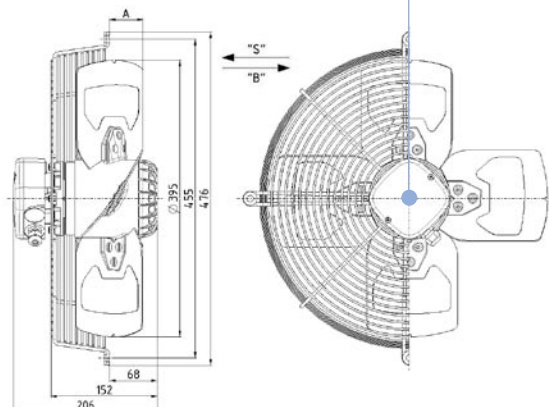
Diameter: 400 mm

Fan with guard grill**Airflow****Direction****Type:**

- »S« R11R-4035A-4T2-5745
 »B« R11R-4035P-4T2-5745

Code:

- 0311-4-0159
 0311-4-0049



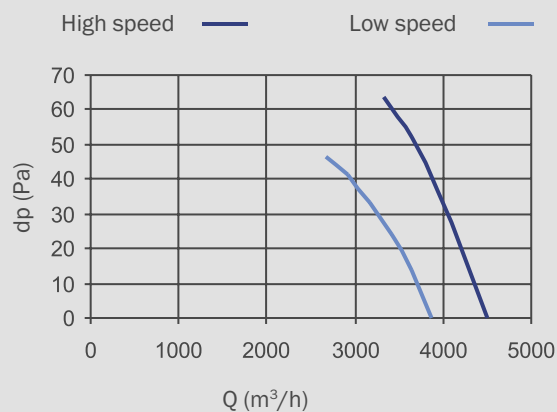
- »S« Dimension A = 49 mm
 »B« Dimension A = 61 mm

Weight:
 6,3 kg

Fan without guard grill**Airflow****Direction****Type:**

- »S« R11E-4035A-4T2-5745
 »B« R11E-4035P-4T2-5745

Available on request

Aerodynamic characteristic:**Performance Data:**

3~400V D/Y 50Hz
 $P_1 = 250 / 188W$
 $n = 1380 / 1160min^{-1}$
 $I = 0,52 / 0,30A$
 $t_R = 70^\circ C$
 $Lwa = 75 / 71dB(A)$
 Connection: terminal box
 Ins.Cl. F
 IP54

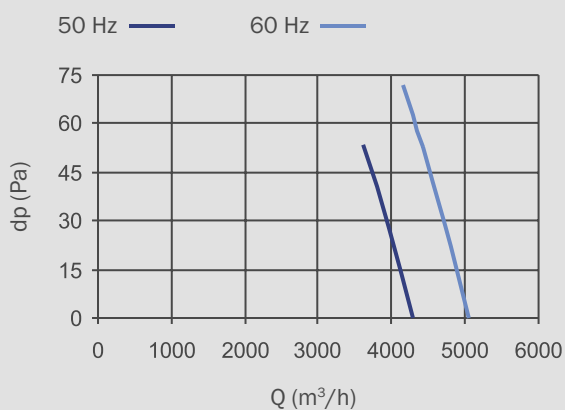
Notes:

Fan characteristic measured in short bell mouth with guard grill



Diameter: 420 mm

Aerodynamic characteristic:



Performance Data:

1~230V 50/60Hz
 $P_1 = 235 / 320W$
 $n = 1400 / 1600min^{-1}$
 $I = 1,15 / 1,40A$
 $t_R = 50^\circ C$
 $Lwa = 70 / 73dB(A)$
 $C = 6,3uF / 450V$
 Connection: terminal box
 Ins.Cl. F
 IP54

Notes:

Fan characteristic measured in short bell mouth with guard grill

Fan with wall plate

Airflow

Direction Type:

»S« R11P-4225A-4M-5715
 »B« R11P-4225P-4M-5715

R11_-4225_-4M-5715

Available on request

Fan with guard grill

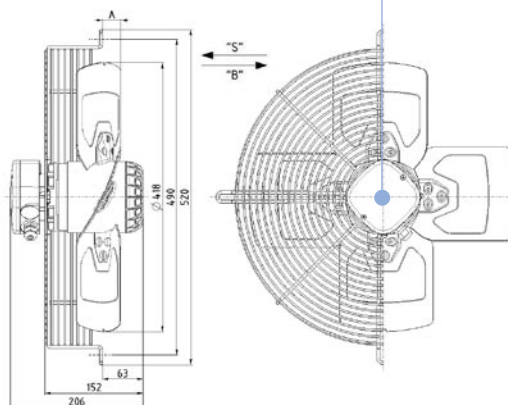
Airflow

Direction Type:

»S« R11R-4225A-4M-5715
 »B« R11R-4225P-4M-5715

Code:

0311-4-0265
 0311-4-0266



»S« Dimension A = 33 mm
 »B« Dimension A = 48 mm

Weight:
 6,3 kg

Fan without guard grill

Airflow

Direction Type:

»S« R11E-4225A-4M-5715
 »B« R11E-4225P-4M-5715

Available on request

Fan with wall plate**Airflow****Direction**

»S«

Type:

R11P-42EFA-6M-5727

Available on request

R11_-42EFA-6M-5727

**Diameter:** 420 mm**Fan with guard grill****Airflow****Direction**

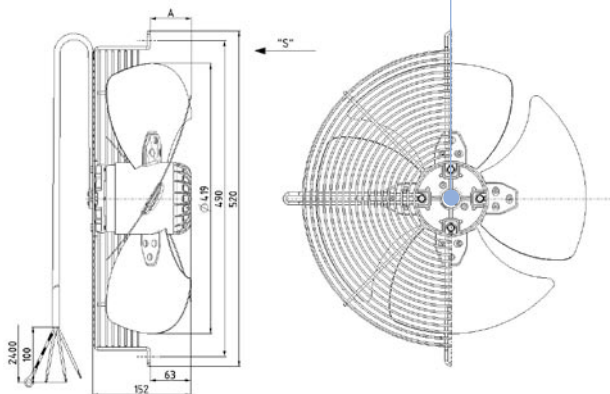
»S«

Type:

R11R-42EFA-6M-5727

Code:

0311-4-0151



»S« Dimension A = 43 mm

»B« Dimension A = 57 mm

Weight:

6,5 kg

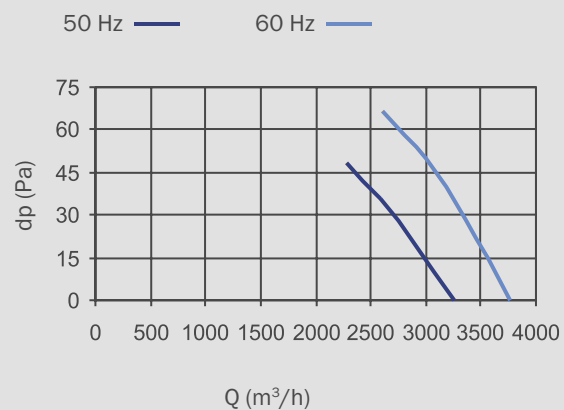
Fan without guard grill**Airflow****Direction**

»S«

Type:

R11E-42EFA-6M-5727

Available on request

Aerodynamic characteristic:**Performance Data:**

1~230V 50/60Hz
 $P_1 = 145 / 205W$
 $n = 940 / 1100\text{min}^{-1}$
 $I = 0,67 / 0,90A$
 $t_R = 60^\circ C$
 $L_{wa} = 64 / 68\text{dB(A)}$
 $C = 6,3\mu F / 450V$
 Connection: cable
 Ins.Cl. F
 IP54

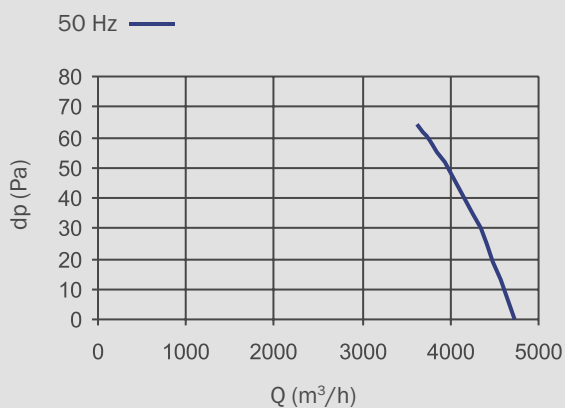
Notes:

Fan characteristic measured in short bell mouth with guard grill



Diameter: 450 mm

Aerodynamic characteristic:



Performance Data:

1~230V 50Hz

$P_1 = 240W$

$n = 1320\text{min}^{-1}$

$I = 1,1A$

$t_R = 50^\circ\text{C}$

$L_{wa} = 72\text{dB(A)}$

$C = 6,3\mu\text{F} / 450V$

Connection: terminal box

Ins.Cl. F

IP54

Notes:

Fan characteristic measured in short bell mouth with guard grill

R11_-4525_-4M-5135

Fan with wall plate

Airflow

Direction Type:

»S«

R11P-4525A-4M-5135

»B«

R11P-4525P-4M-5135

Available on request

Fan with guard grill

Airflow

Direction Type:

»S«

R11R-4525A-4M-5135

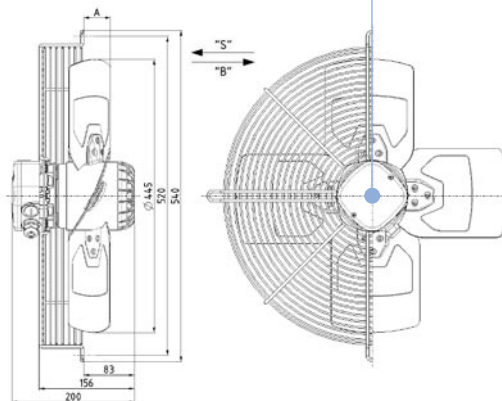
»B«

R11R-4525P-4M-5135

Code:

0311-4-0139

0311-4-0138



»S« Dimension A = 43 mm

»B« Dimension A = 57 mm

Weight:

6,3 kg

Fan without guard grill

Airflow

Direction Type:

»S«

R11E-4525A-4M-5135

»B«

R11E-4525P-4M-5135

Available on request

Fan with wall plate**Airflow****Direction****Type:**

»S«

R11P-4530A-4M-5749

»B«

R11P-4530P-4M-5749

Available on request

R11_-4530_-4M-5749

**Diameter:** 450 mm**Fan with guard grill****Airflow****Direction****Type:**

»S«

R11R-4530A-4M-5749

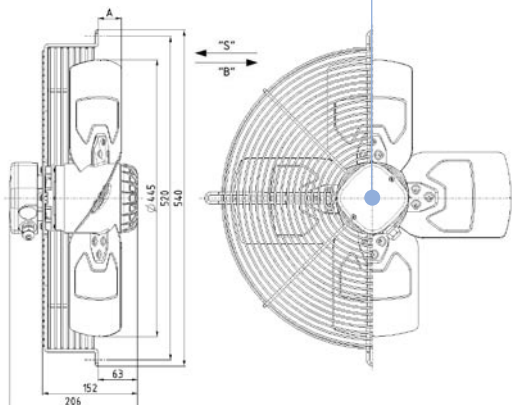
»B«

R11R-4530P-4M-5749

Code:

0311-4-0240

0311-4-0270



»S« Dimension A = 37 mm

»B« Dimension A = 51 mm

Weight:

6,3 kg

Fan without guard grill**Airflow****Direction****Type:**

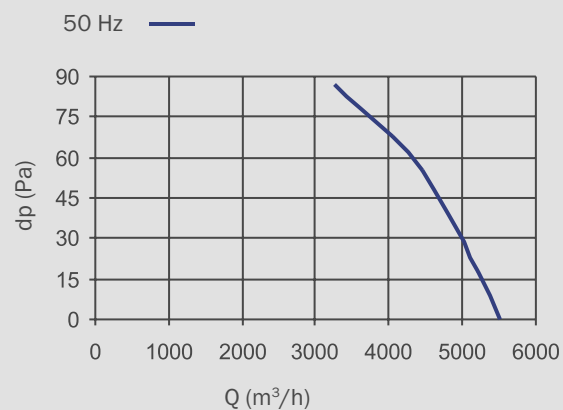
»S«

R11E-4530A-4M-5749

»B«

R11E-4530P-4M-5749

Available on request

Aerodynamic characteristic:**Performance Data:**

1~230V 50Hz

 $P_1 = 310W$ $n = 1270\text{min}^{-1}$ $I = 1,4A$ $t_R = 55^\circ C$ $C = 10\mu F / 450V$ $L_{wa} = 74\text{dB(A)}$

Connection: terminal box

Ins.Cl. F

IP54

Notes:

Fan characteristic measured in short bell mouth with guard grill



Diameter: 450 mm

R11_-4525_-4T-5136

Fan with wall plate

Airflow

Direction Type:

»S«

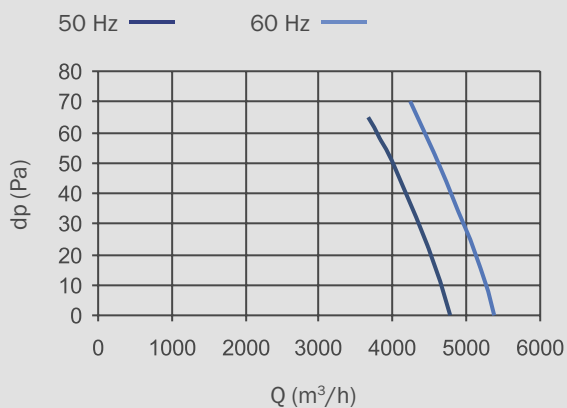
R11P-4525A-4T-5136

»B«

R11P-4525P-4T-5136

Available on request

Aerodynamic characteristic:



Performance Data:

3~230 / 400V 50/60Hz

$P_1 = 215 / 305W$

$n = 1315 / 1470\text{min}^{-1}$

$I = 0,5 / 0,53A$

$t_R = 70^\circ\text{C}$

$L_{wa} = 75 / 72\text{dB(A)}$

Connection: terminal box

Ins.Cl. F

IP54

Notes:

Fan characteristic measured in short bell mouth with guard grill

Fan with guard grill

Airflow

Direction Type:

»S«

R11R-4525A-4T-5136

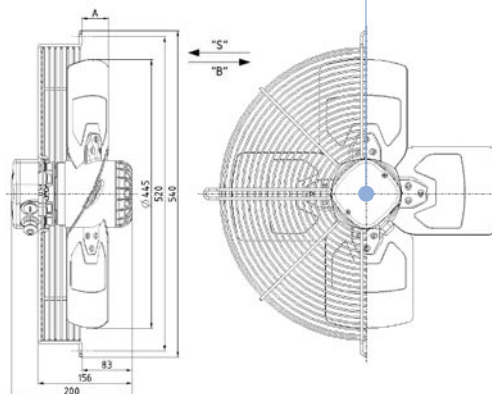
»B«

R11R-4525P-4T-5136

Code:

0311-4-0117

0311-4-0082



»S« Dimension A = 43 mm

»B« Dimension A = 57 mm

Weight:

6,3 kg

Fan without guard grill

Airflow

Direction Type:

»S«

R11E-4525A-4T-5136

»B«

R11E-4525P-4T-5136

Available on request

Fan with wall plate**Airflow****Direction****Type:**

- »S« R13P-4523A-4M-5009
 »B« R13P-4523P-4M-5009

Available on request

R13_-4523_-4M-5009



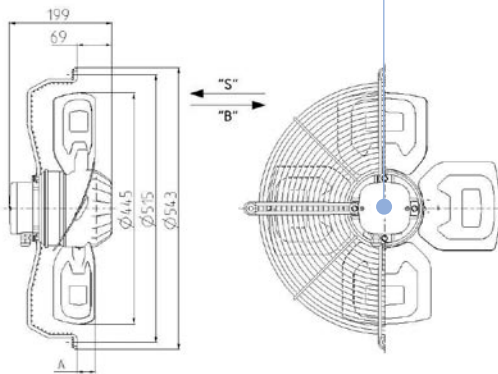
Diameter: 450 mm

Fan with guard grill**Airflow****Direction****Type:**

- »S« R13R-4523A-4M-5009
 »B« R13R-4523P-4M-5009

Code:

- 0313-4-0168
 0313-4-0171



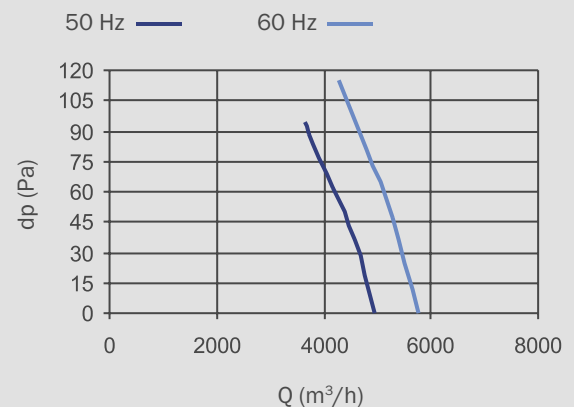
- »S« Dimension A = 31 mm
 »B« Dimension A = 54 mm

Weight:
10 kg

Fan without guard grill**Airflow****Direction****Type:**

- »S« R13E-4523A-4M-5009
 »B« R13E-4523P-4M-5009

Available on request

Aerodynamic characteristic:**Performance Data:**

1~230V 50/60Hz
 $P_1 = 280 / 430W$
 $n = 1420 / 1640min^{-1}$
 $I = 1,4 / 1,85A$
 $t_R = 65^\circ C$
 $Lwa = 72 / 76dB(A)$
 $C = 8\mu F / 400V$
 Connection: terminal box
 Ins.Cl. F
 IP54

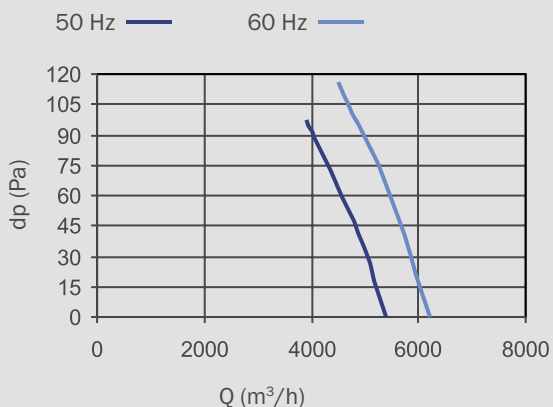
Notes:

Fan characteristic measured in short bell mouth with guard grill



Diameter: 450 mm

Aerodynamic characteristic:



Performance Data:

1~230V 50/60Hz

$P_1 = 310 / 460W$

$n = 1410 / 1630\text{min}^{-1}$

$I = 1,4 / 2,0A$

$t_R = 70^\circ C$

$L_{wa} = 74 / 79\text{dB(A)}$

$C = 8\mu F / 450V$

Connection: terminal box

Ins.Cl. F

IP54

Notes:

Fan characteristic measured in short bell mouth with guard grill

R13_-4525_-4M-5009

Fan with wall plate

Airflow

Direction Type:

»S«

R13P-4525A-4M-5009

»B«

R13P-4525P-4M-5009

Available on request

Fan with guard grill

Airflow

Direction Type:

»S«

R13R-4525A-4M-5009

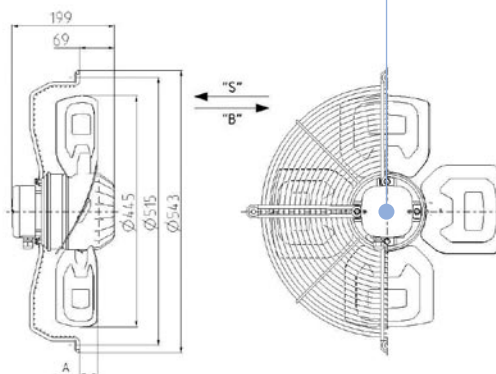
»B«

R13R-4525P-4M-5009

Code:

0313-4-0003

0313-4-0082



»S« Dimension A = 35 mm

»B« Dimension A = 57 mm

Weight:

10 kg

Fan without guard grill

Airflow

Direction Type:

»S«

R13E-4525A-4M-5009

»B«

R13E-4525P-4M-5009

Available on request

Fan with wall plate**Airflow****Direction Type:**

»S« R13P-4530A-4M-7039

»B« R13P-4530P-4M-7039

Available on request

R13_-4530_-4M-7039

**Diameter:** 450 mm**Fan with guard grill****Airflow****Direction Type:**

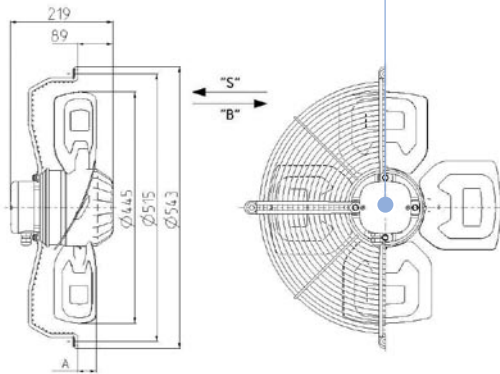
»S« R13R-4530A-4M-7039

»B« R13R-4530P-4M-7039

Code:

0313-4-0178

0313-4-0166



»S« Dimension A = 43 mm

»B« Dimension A = 65 mm

Weight:

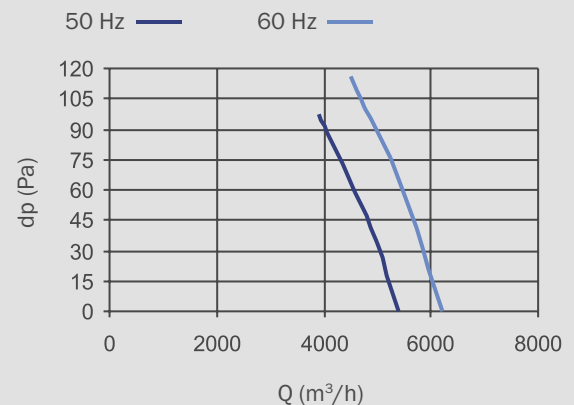
12,1 kg

Fan without guard grill**Airflow****Direction Type:**

»S« R13E-4530A-4M-7039

»B« R13E-4530P-4M-7039

Available on request

Aerodynamic characteristic:**Performance Data:**

1~230V 50/60Hz

 $P_1 = 375 / 570W$ $n = 1390 / 1570\text{min}^{-1}$ $I = 1,7 / 2,5A$ $t_R = 60^\circ C$

Lwa = 76 / 81dB(A)

C = 10uF / 400V

Connection: terminal box

Ins.Cl. F

IP54

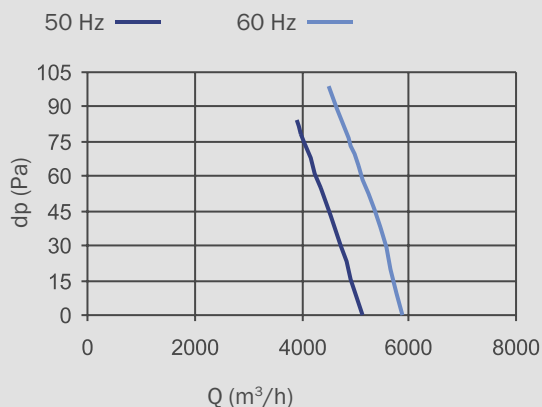
Notes:

Fan characteristic measured in short bell mouth with guard grill



Diameter: 450 mm

Aerodynamic characteristic:



Performance Data:

3~230/400V 50/60Hz

$P_1 = 290 / 410W$

$n = 1380 / 1560\text{min}^{-1}$

$I = 1,5 / 0,90A$

$t_R = 65^\circ C$

$L_{wa} = 72 / 78\text{dB(A)}$

Connection: Terminal box

Ins.Cl. F

IP54

Notes:

Fan characteristic measured in short bell mouth with guard grill

R13_-4525_-4T-3529

Fan with wall plate

Airflow

Direction

- »S«
- »B«

Type:

- R13P-4525A-4T-3529
- R13P-4525P-4T-3529

Available on request

Fan with guard grill

Airflow

Direction

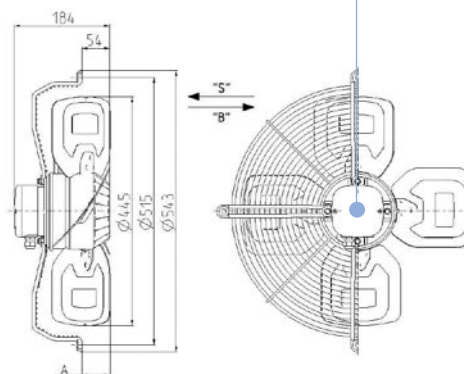
- »S«
- »B«

Type:

- R13R-4525A-4T-3529
- R13R-4525P-4T-3529

Code:

- 0313-4-0138
- 0313-4-0059



»S« Dimension A = 52 mm

»B« Dimension A = 57 mm

Weight:
8,4 kg

Fan without guard grill

Airflow

Direction

- »S«
- »B«

Type:

- R13E-4525A-4T-3529
- R13E-4525P-4T-3529

Available on request

Fan with wall plate**Airflow****Direction****Type:**

»S« R13P-4530A-4T2-3500
 »B« R13P-4530P-4T2-3500

Available on request

R13_-4530_-4T2-3500



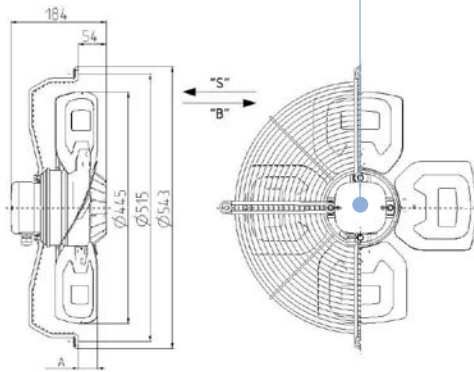
Diameter: 450 mm

Fan with guard grill**Airflow****Direction****Type:**

»S« R13R-4530A-4T2-3500
 »B« R13R-4530P-4T2-3500

Code:

0313-4-0000
 0313-4-0008



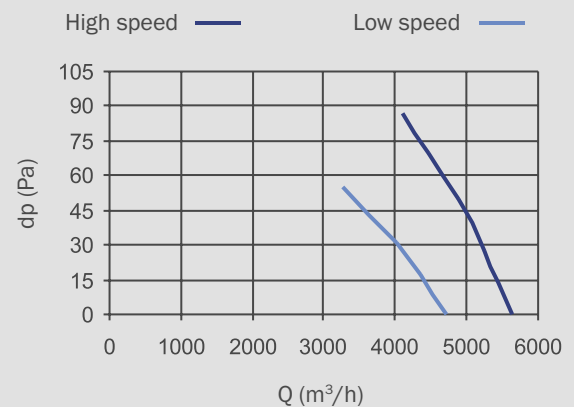
»S« Dimension A = 43 mm
 »B« Dimension A = 65 mm

Weight:
 8,4 kg

Fan without guard grill**Airflow****Direction****Type:**

»S« R13E-4530A-4T2-3500
 »B« R13E-4530P-4T2-3500

Available on request

Aerodynamic characteristic:**Performance Data:**

3~400V D/Y 50Hz
 $P_1 = 360 / 220W$
 $n = 1330 / 1070min^{-1}$
 $I = 0,76 / 0,38A$
 $t_r = 40^\circ C$
 $L_{wa} = 78 / 71dB(A)$
 Connection: terminal box
 Ins.Cl. F
 IP54

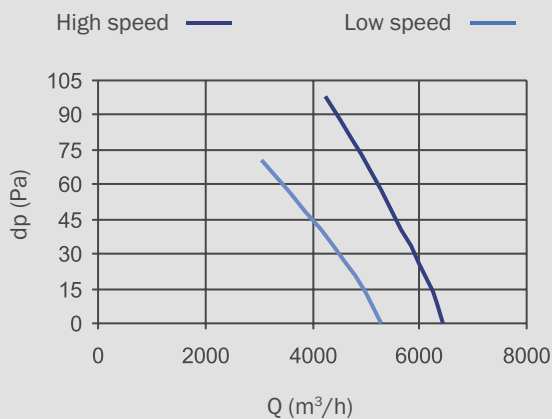
Notes:

Fan characteristic measured in short bell mouth with guard grill



Diameter: 450 mm

Aerodynamic characteristic:



Performance Data:

3~400V D/Y 50Hz
 $P_1 = 465 / 330W$
 $n = 1360 / 1100\text{min}^{-1}$
 $I = 0,95 / 0,45A$
 $t_R = 60^\circ C$
 $L_{wa} = 80 / 73\text{dB(A)}$
 Connection: terminal box
 Ins.Cl. F
 IP54

Notes:

Fan characteristic measured in short bell mouth with guard grill

R13_-4535_-4T2-5004

Fan with wall plate

Airflow

Direction

»S«
 »B«

Type:

R13P-4535A-4T2-5004
 R13P-4535P-4T2-5004

Available on request

Fan with guard grill

Airflow

Direction

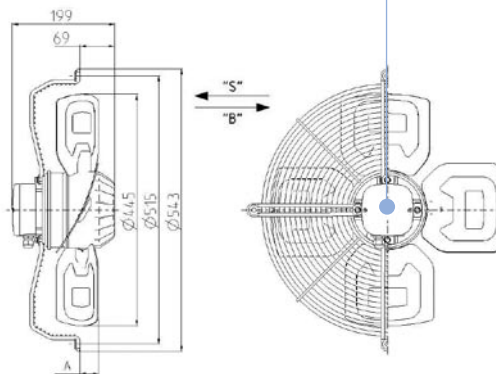
»S«
 »B«

Type:

R13R-4535A-4T2-5004
 R13R-4535P-4T2-5004

Code:

0313-4-0004
 0313-4-0002



»S« Dimension A = 52 mm
 »B« Dimension A = 71 mm

Weight:
 10 kg

Fan without guard grill

Airflow

Direction

»S«
 »B«

Type:

R13E-4535A-4T2-5004
 R13E-4535P-4T2-5004

Available on request

Fan with wall plate**Airflow****Direction Type:**

- »S« R13P-4530A-6M-3532
- »B« R13P-4530P-6M-3532

Available on request

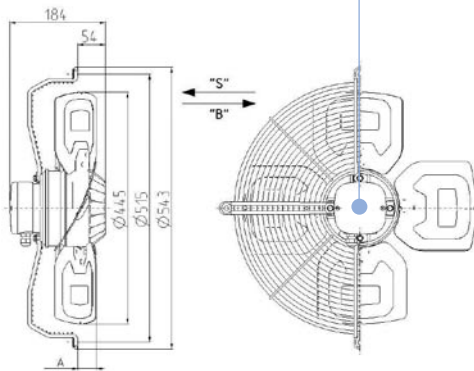
R13_-4530_-6M-3532

**Diameter:** 450 mm**Fan with guard grill****Airflow****Direction Type:**

- »S« R13R-4530A-6M-3532
- »B« R13R-4530P-6M-3532

Code:

- 0313-4-0075
- 0313-4-0067

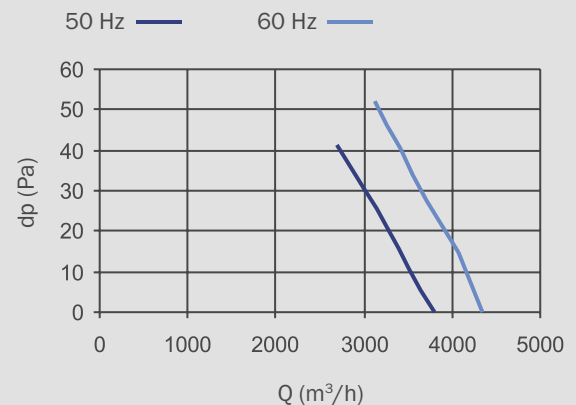


- »S« Dimension A = 43 mm
- »B« Dimension A = 71mm

Weight:
8,4 kg**Fan without guard grill****Airflow****Direction Type:**

- »S« R13E-4530A-6M-3532
- »B« R13E-4530P-6M-3532

Available on request

Aerodynamic characteristic:**Performance Data:**

1~230V 50/60Hz
 $P_1 = 135 / 175W$
 $n = 900 / 1030\text{min}^{-1}$
 $I = 0,63 / 0,76A$
 $t_R = 60^\circ C$
 $L_{wa} = 68 / 72\text{dB(A)}$
 $C = 5\mu F / 450V$
 Connection: terminal box
 Ins.Cl. F
 IP54

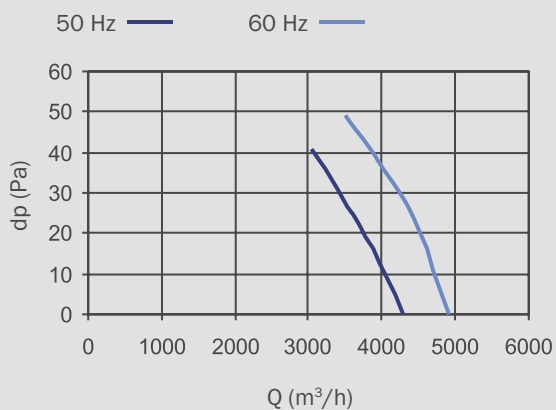
Notes:

Fan characteristic measured in short bell mouth with guard grill



Diameter: 450 mm

Aerodynamic characteristic:



Performance Data:

1~230V 50/60Hz
 $P_1 = 195 / 240W$
 $n = 910 / 1040min^{-1}$
 $I = 1,0 / 1,05A$
 $t_R = 50^\circ C$
 $Lwa = 69 / 73dB(A)$
 $C = 6,3uF / 450V$
 Connection: terminal box
 Ins.Cl. F
 IP54

Notes:

Fan characteristic measured in short bell mouth with guard grill

R13_-4535_-6M-5027

Fan with wall plate

Airflow

Direction

- »S«
- »B«

Type:

R13P-4535A-6M-5027
 R13P-4535P-6M-5027

Available on request

Fan with guard grill

Airflow

Direction

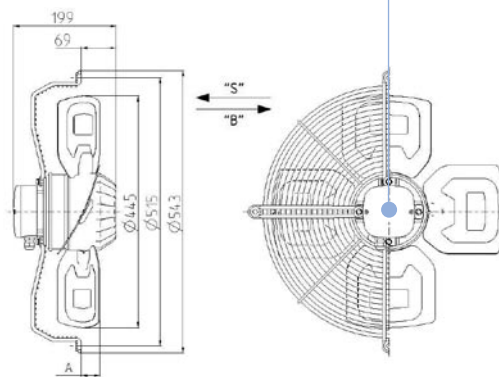
- »S«
- »B«

Type:

R13R-4535A-6M-5027
 R13R-4535P-6M-5027

Code:

0313-4-0045
 0313-4-0201



- »S« Dimension A = 52 mm
- »B« Dimension A = 71 mm

Weight:
10 kg

Fan without guard grill

Airflow

Direction

- »S«
- »B«

Type:

R13E-4535A-6M-5027
 R13E-4535P-6M-5027

Available on request

Fan with wall plate**Airflow****Direction****Type:**

- »S« R13P-4530A-6T2-3525
 »B« R13P-4530P-6T2-3525

Available on request

R13_-4530_-6T2-3525



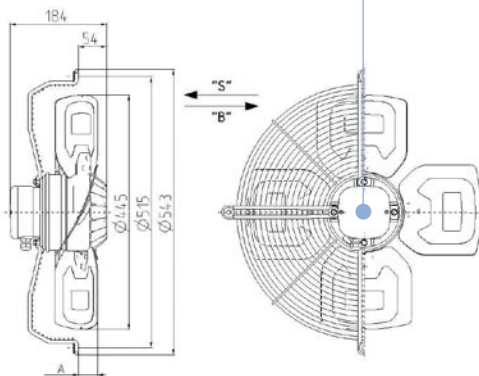
Diameter: 450 mm

Fan with guard grill**Airflow****Direction****Type:**

- »S« R13R-4530A-6T2-3525
 »B« R13R-4530P-6T2-3525

Code:

- 0313-4-0037
 0313-4-0112



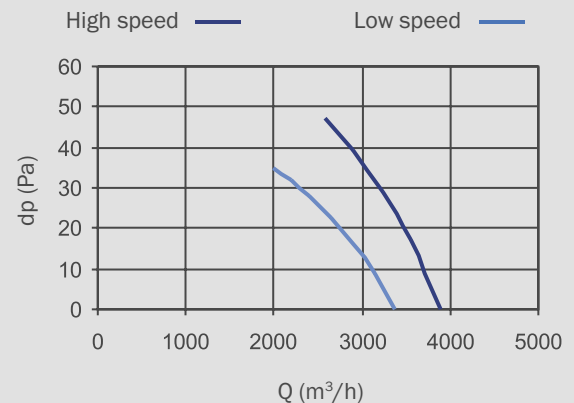
- »S« Dimension A = 43 mm
 »B« Dimension A = 65 mm

Weight:
 8,4 kg

Fan without guard grill**Airflow****Direction****Type:**

- »S« R13E-4530A-6T2-3525
 »B« R13E-4530P-6T2-3525

Available on request

Aerodynamic characteristic:**Performance Data:**

3~400V D/Y 50Hz
 $P_1 = 120 / 85W$
 $n = 915 / 770\text{min}^{-1}$
 $I = 0,28 / 0,14A$
 $t_R = 70^\circ C$
 $L_{wa} = 68 / 63\text{dB(A)}$
 Connection: terminal box
 Ins.Cl. F
 IP54

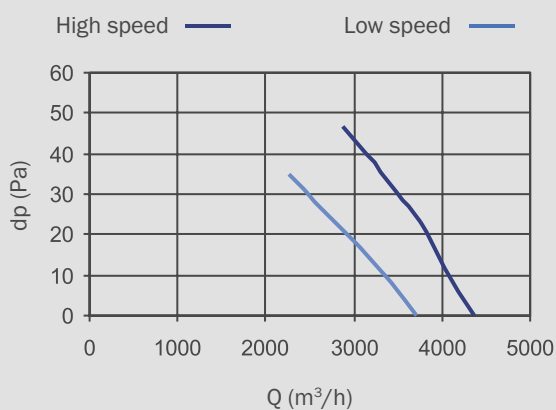
Notes:

Fan characteristic measured in short bell mouth with guard grill



Diameter: 450 mm

Aerodynamic characteristic:



Performance Data:

3~400V D/Y 50Hz

$P_1 = 160 / 110W$

$n = 915 / 765\text{min}^{-1}$

$I = 0,37 / 0,19A$

$t_R = 70^\circ C$

$L_{wa} = 69 / 64\text{dB(A)}$

Connection: terminal box

Ins.Cl. F

IP54

Notes:

Fan characteristic measured in short bell mouth with guard grill

R13_-4535_-6T2-3526

Fan with wall plate

Airflow

Direction

»S«

»B«

Type:

R13P-4535A-6T2-3526

R13P-4535P-6T2-3526

Available on request

Fan with guard grill

Airflow

Direction

»S«

»B«

Type:

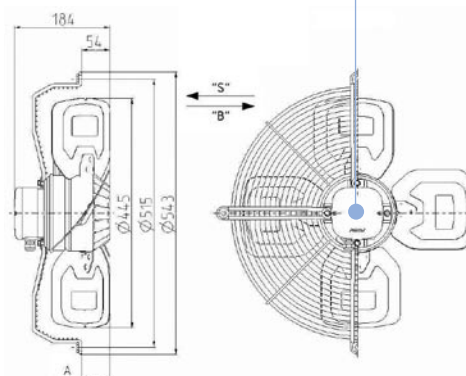
R13R-4535A-6T2-3526

R13R-4535P-6T2-3526

Code:

0313-4-0143

0313-4-0102



»S« Dimension A = 52 mm

»B« Dimension A = 71 mm

Weight:

8,4 kg

Fan without guard grill

Airflow

Direction

»S«

»B«

R13E-4535A-6T2-3526

R13E-4535P-6T2-3526

Available on request

Fan with wall plate**Airflow****Direction****Type:**

»S« R13P-5025A-4M-5009

»B« R13P-5025P-4M-5009

Available on request

R13_-5025_-4M-5009

**Diameter:** 500 mm**Fan with guard grill****Airflow****Direction****Type:**

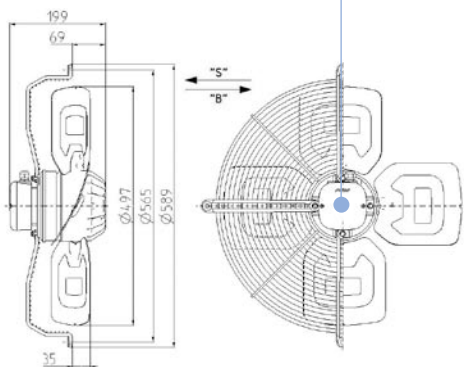
»S« R13R-5025A-4M-5009

»B« R13R-5025P-4M-5009

Code:

0313-4-0073

0313-4-0222



»S« Dimension A = 35 mm

»B« Dimension A = 57 mm

Weight:

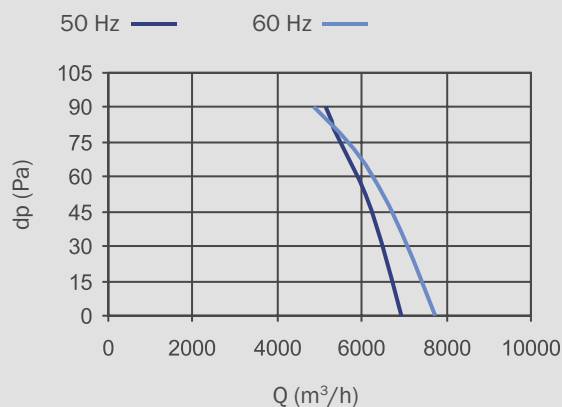
10,4 kg

Fan without guard grill**Airflow****Direction****Type:**

»S« R13E-5025A-4M-5009

»B« R13E-5025P-4M-5009

Available on request

Aerodynamic characteristic:**Performance Data:**

1~230V 50/60Hz

 $P_1 = 440 / 645W$ $n = 1340 / 1450\text{min}^{-1}$ $I = 2,0 / 2,9A$ $t_R = 70^\circ C$ $L_{wa} = 78 / 83\text{dB(A)}$ $C = 8\mu F / 450V$

Connection: terminal box

Ins.Cl. F

IP54

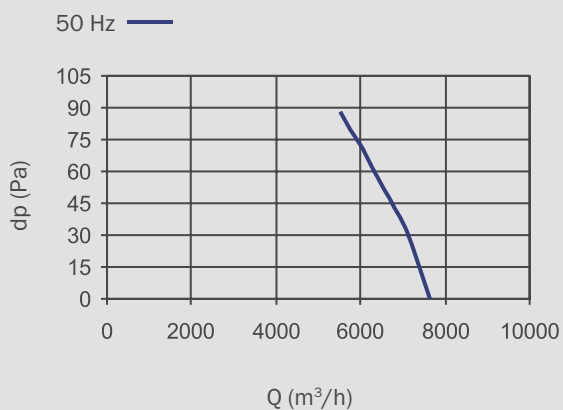
Notes:

Fan characteristic measured in short bell mouth with guard grill



Diameter: 500 mm

Aerodynamic characteristic:



Performance Data:

1~230V 50Hz

$P_1 = 545W$

$n = 1320\text{min}^{-1}$

$I = 2,4A$

$t_R = 70^\circ\text{C}$

$L_{wa} = 82\text{dB(A)}$

$C = 10\mu\text{F} / 450V$

Connection: terminal box

Ins.Cl. F

IP54

Notes:

Fan characteristic measured in short bell mouth with guard grill

R13_5030_4M-7012

Fan with wall plate

Airflow

Direction Type:

»S«

R13P-5030A-4M-7012

»B«

R13P-5030P-4M-7012

Available on request

Fan with guard grill

Airflow

Direction Type:

»S«

R13R-5030A-4M-7012

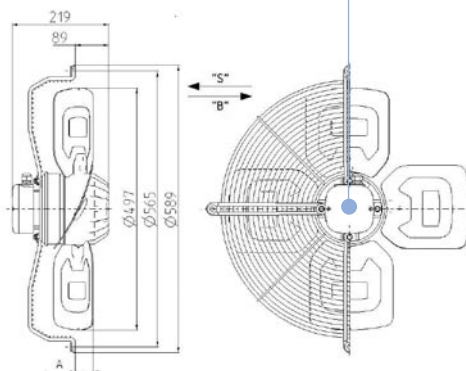
»B«

R13R-5030P-4M-7012

Code:

0313-4-0011

0313-4-0062



»S« Dimension A = 43 mm

»B« Dimension A = 65 mm

Weight:

12,5 kg

Fan without guard grill

Airflow

Direction Type:

»S«

R13E-5030A-4M-7012

»B«

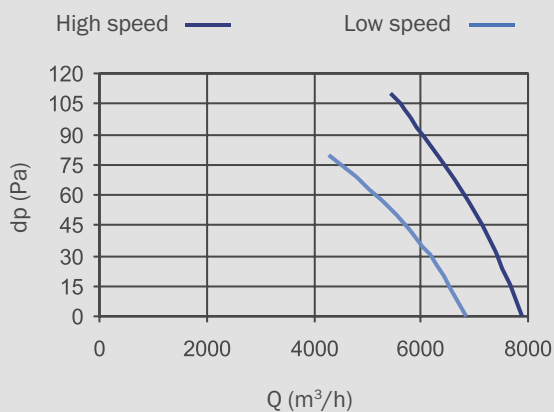
R13E-5030P-4M-7012

Available on request



Diameter: 500 mm

Aerodynamic characteristic:



Performance Data:

3~400V D/Y 50Hz
 $P_1 = 560 / 410W$
 $n = 1380 / 1170\text{min}^{-1}$
 $I = 1,15 / 0,66A$
 $t_R = 70^\circ C$
 $L_{wa} = 81 / 75\text{dB(A)}$
 Connection: terminal box
 Ins.Cl. F
 IP54

Notes:

Fan characteristic measured in short bell mouth with guard grill

R13_-5030_-4T2-7002

Fan with wall plate

Airflow

Direction

- »S«
- »B«

Type:

R13P-5030A-4T2-7002
 R13P-5030P-4T2-7002

Available on request

Fan with guard grill

Airflow

Direction

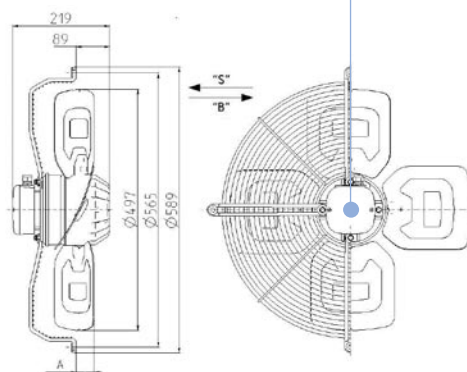
- »S«
- »B«

Type:

R13R-5030A-4T2-7002
 R13R-5030P-4T2-7002

Code:

0313-4-0006
 0313-4-0097



- »S« Dimension A = 43 mm
- »B« Dimension A = 65 mm

Weight:
 12,5 kg

Fan without guard grill

Airflow

Direction

- »S«
- »B«

Type:

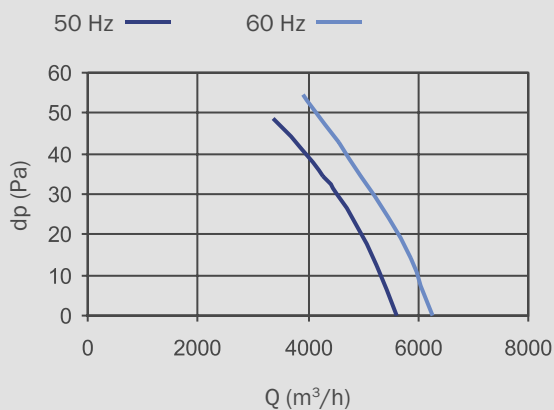
R13E-5030A-4T2-7002
 R13E-5030P-4T2-7002

Available on request



Diameter: 500 mm

Aerodynamic characteristic:



Performance Data:

1~230V 50/60Hz

$P_1 = 255 / 335W$

$n = 870 / 960\text{min}^{-1}$

$I = 1,1 / 1,45A$

$t_R = 50^\circ C$

$L_{wa} = 72 / 76\text{dB(A)}$

$C = 8\mu F / 450V$

Connection: terminal box

Ins.Cl. F

IP54

Notes:

Fan characteristic measured in short bell mouth with guard grill

R13_-5035_-6M-5027

Fan with wall plate

Airflow

Direction

»S«

»B«

Type:

R13P-5035A-6M-5027

R13P-5035P-6M-5027

Available on request

Fan with guard grill

Airflow

Direction

»S«

»B«

Type:

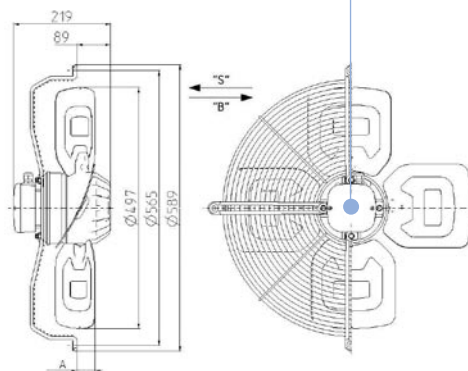
R13R-5035A-6M-5027

R13R-5035P-6M-5027

Code:

0313-4-0047

0313-4-0068



»S« Dimension A = 52 mm

»B« Dimension A = 71 mm

Weight:

10,4 kg

Fan without guard grill

Airflow

Direction

»S«

»B«

Type:

R13E-5035A-6M-5027

R13E-5035P-6M-5027

Available on request

Fan with wall plate**Airflow****Direction****Type:**

»S« R13P-5035A-6T2-5016
 »B« R13P-5035P-6T2-5016

Available on request

R13_-5035_-6T2-5016



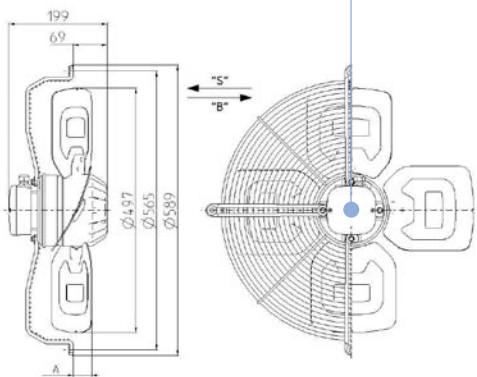
Diameter: 500 mm

Fan with guard grill**Airflow****Direction****Type:**

»S« R13R-5035A-6T2-5016
 »B« R13R-5035P-6T2-5016

Code:

0313-4-0127
 0313-4-0089



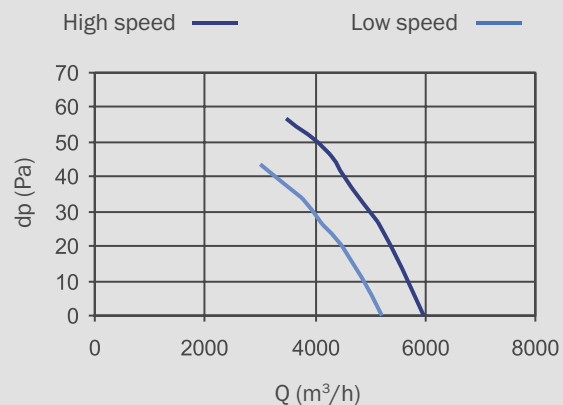
»S« Dimension A = 52 mm
 »B« Dimension A = 71 mm

Weight:
 10,4 kg

Fan without guard grill**Airflow****Direction****Type:**

»S« R13E-5035A-6T2-5016
 »B« R13E-5035P-6T2-5016

Available on request

Aerodynamic characteristic:**Performance Data:**

3~400V D/Y 50Hz
 $P_1 = 250 / 185W$
 $n = 930 / 800min^{-1}$
 $I = 0,65 / 0,32A$
 $t_R = 60^\circ C$
 $Lwa = 73 / 67dB(A)$
 Connection: terminal box
 Ins.Cl. F
 IP54

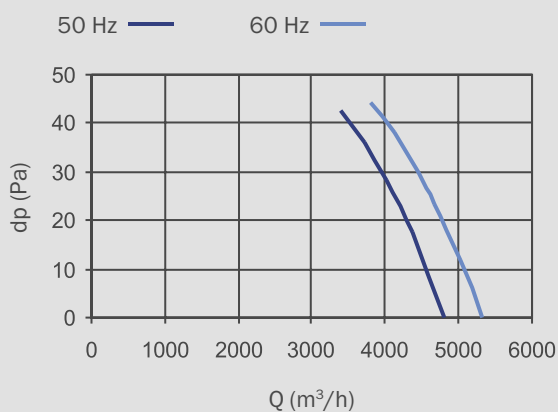
Notes:

Fan characteristic measured in short bell mouth with guard grill



Diameter: 500 mm

Aerodynamic characteristic:



Performance Data:

1~230V 50/60Hz
 $P_1 = 180 / 220W$
 $n = 890 / 980min^{-1}$
 $I = 0,78 / 0,95A$
 $t_R = 60 / 55^{\circ}C$
 $Lwa = 71 / 75dB(A)$
 $C = 6,3\mu F / 450V$
 Connection: cable
 Ins.Cl. F
 IP54

Notes:

Fan characteristic measured in short bell mouth with guard grill

R11_50EFA-6M-5727

Fan with wall plate

Airflow

Direction

»S«

Type:

R11P-50EFA-6M-5716

Available on request

Fan with guard grill

Airflow

Direction

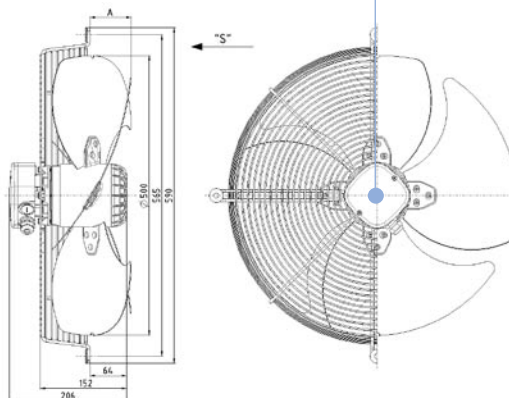
»S«

Type:

R11R-50EFA-6M-5716

Code:

0311-4-0115



Weight:
6,8 kg

Fan without guard grill

Airflow

Direction

»S«

Type:

R11E-50EFA-6M-5716

Available on request

Fan with wall plate**Airflow****Direction****Type:**

»S«

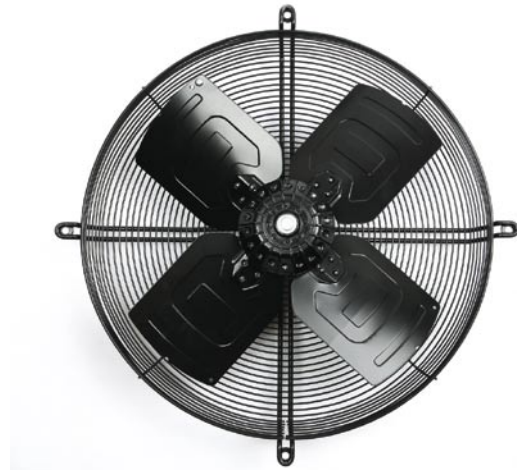
R13P-5625A-4T2-7002

»B«

R13P-5625P-4T2-7002

Available on request

R13_-5625_-4T2-7002

**Diameter:** 560 mm**Fan with guard grill****Airflow****Direction****Type:**

»S«

R13R-5625A-4T2-7002

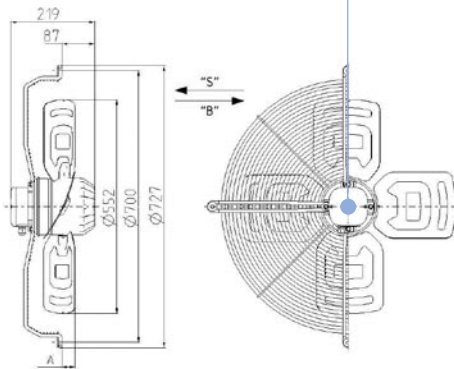
»B«

R13R-5625P-4T2-7002

Code:

0313-4-0001

0313-4-0052



»S« Dimension A = 35 mm

»B« Dimension A = 57 mm

Weight:

14 kg

Fan without guard grill**Airflow****Direction****Type:**

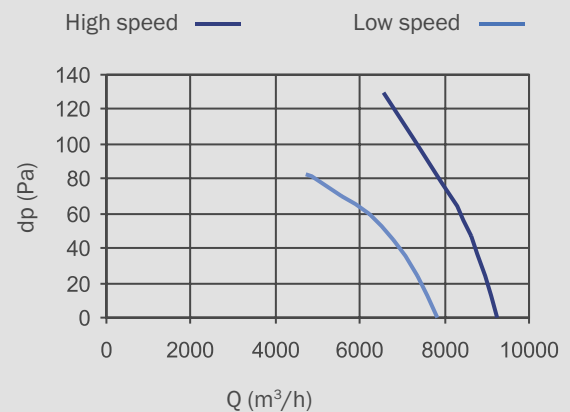
»S«

R13E-5625A-4T2-7002

»B«

R13E-5625P-4T2-7002

Available on request

Aerodynamic characteristic:**Performance Data:**

3~400V D/Y 50Hz

 $P_1 = 670 / 450W$ $n = 1360 / 1130\text{min}^{-1}$ $I = 1,3 / 0,73A$ $t_R = 60^\circ C$ $L_{wa} = 83 / 76\text{dB(A)}$

Connection: terminal box

Ins.Cl. F

IP54

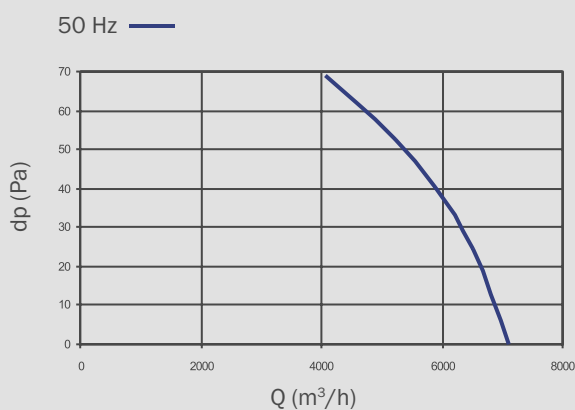
Notes:

Fan characteristic measured in short bell mouth with guard grill



Diameter: 560 mm

Aerodynamic characteristic:



Performance Data:

1~230V 50Hz

$P_1 = 360W$

$n = 900\text{min}^{-1}$

$I = 1,65A$

$t_R = 50^\circ C$

$L_{wa} = 73\text{dB(A)}$

$C = 12,5\mu F / 450V$

Connection: terminal box

Ins.Cl. F

IP54

Notes:

Fan characteristic measured in short bell mouth with guard grill

R13_-5630_-6M-7019

Fan with wall plate

Airflow

Direction

»S«

»B«

Type:

R13P-5630A-6M-7019

R13P-5630P-6M-7019

Available on request

Fan with guard grill

Airflow

Direction

»S«

»B«

Type:

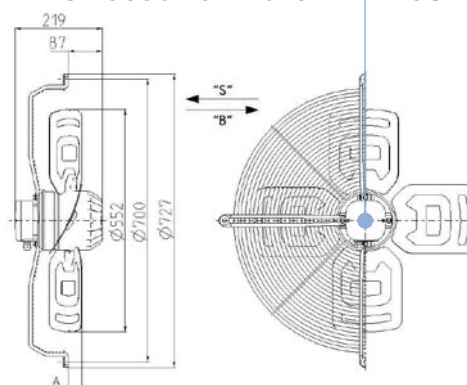
R13R-5630A-6M-7019

R13R-5630P-6M-7019

Code:

0313-4-0024

0313-4-0086



»S« Dimension A = 43 mm

»B« Dimension A = 65 mm

Weight:

14 kg

Fan without guard grill

Airflow

Direction

»S«

»B«

R13E-5630A-6M-7019

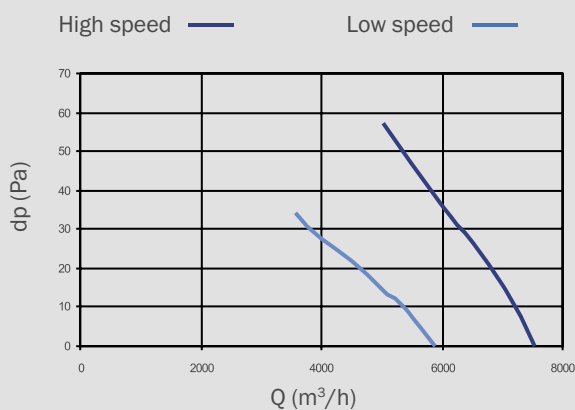
R13E-5630P-6M-7019

Available on request



Diameter: 560 mm

Aerodynamic characteristic:



Performance Data:

3~400V D/Y 50Hz

$P_1 = 345 / 215W$

$n = 870 / 660\text{min}^{-1}$

$I = 0,63 / 0,36A$

$t_R = 70^\circ C$

$L_{wa} = 74 / 67\text{dB(A)}$

Connection: terminal box

Ins.Cl. F

IP54

Notes:

Fan characteristic measured in short bell mouth with guard grill

R13_-5635_-6T2-7021

Fan with wall plate

Airflow

Direction

»S«

»B«

Type:

R13P-5635A-6T2-7021

R13P-5635P-6T2-7021

Available on request

Fan with guard grill

Airflow

Direction

»S«

»B«

Type:

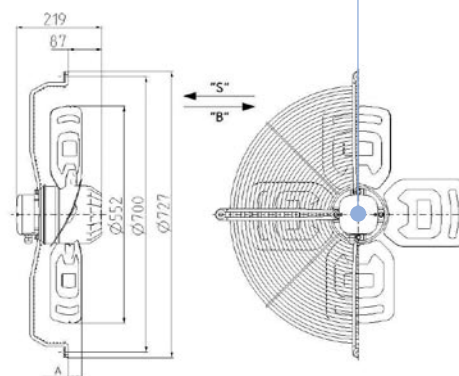
R13R-5635A-6T2-7021

R13R-5635P-6T2-7021

Code:

0313-4-0065

0313-4-0079



»S« Dimension A = 52 mm

»B« Dimension A = 71 mm

Weight:

14 kg

Fan without guard grill

Airflow

Direction

»S«

»B«

R13E-5635A-6T2-7021

R13E-5635P-6T2-7021

Available on request



Diameter: 630 mm

R13_-6330_-6T2-7021

Fan with wall plate

Airflow

Direction

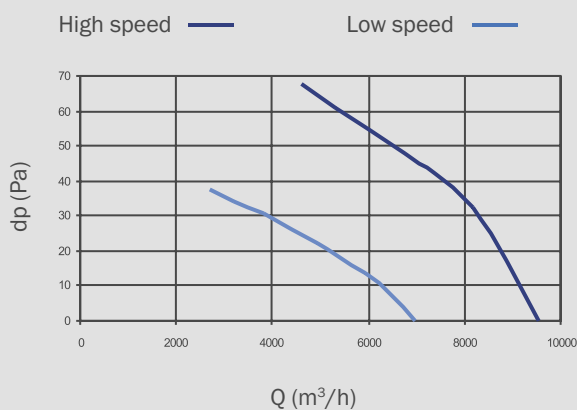
- »S«
- »B«

Type:

R13P-6330A-6T2-7021
R13P-6330P-6T2-7021

Available on request

Aerodynamic characteristic:



Performance Data:

3~400V D/Y 50Hz

$P_1 = 390 / 225W$

$n = 840 / 590\text{min}^{-1}$

$I = 0,66 / 0,38A$

$t_R = 70^\circ C$

$L_{wa} = 78 / 69\text{dB(A)}$

Connection: terminal box

Ins.Cl. F

IP54

Notes:

Fan characteristic measured in short bell mouth with guard grill

Fan with guard grill

Airflow

Direction

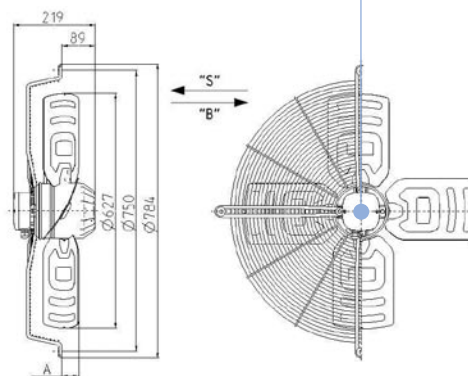
- »S«
- »B«

Type:

R13R-6330A-6T2-7021
R13R-6330P-6T2-7021

Code:

0313-4-0050
0313-4-0048



»S« Dimension A = 43 mm

»B« Dimension A = 65 mm

Weight:
14,6 kg

Fan without guard grill

Airflow

Direction

- »S«
- »B«

Type:

R13E-6330A-6T2-7021
R13E-6330P-6T2-7021

Available on request

Fan with wall plate**Airflow****Direction****Type:**

- »S« R13P-6335A-6T2-7007
- »B« R13P-6335P-6T2-7007

Available on request

R13_-6335_-6T2-7007



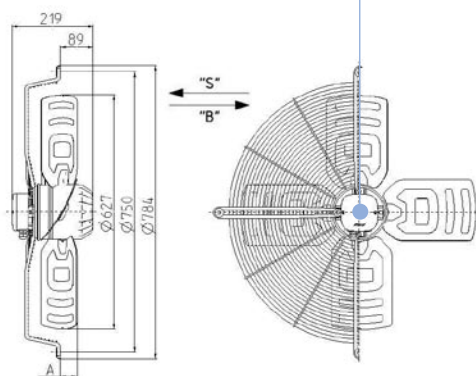
Diameter: 630 mm

Fan with guard grill**Airflow****Direction****Type:**

- »S« R13R-6335A-6T2-7007
- »B« R13R-6335P-6T2-7007

Code:

- 0313-4-0049
- 0313-4-0154



- »S« Dimension A = 52 mm
- »B« Dimension A = 71 mm

Weight:
14,6 kg

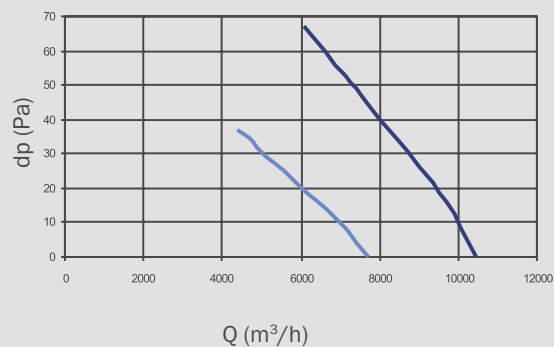
Fan without guard grill**Airflow****Direction****Type:**

- »S« R13E-6335A-6T2-7007
- »B« R13E-6335P-6T2-7007

Available on request

Aerodynamic characteristic:

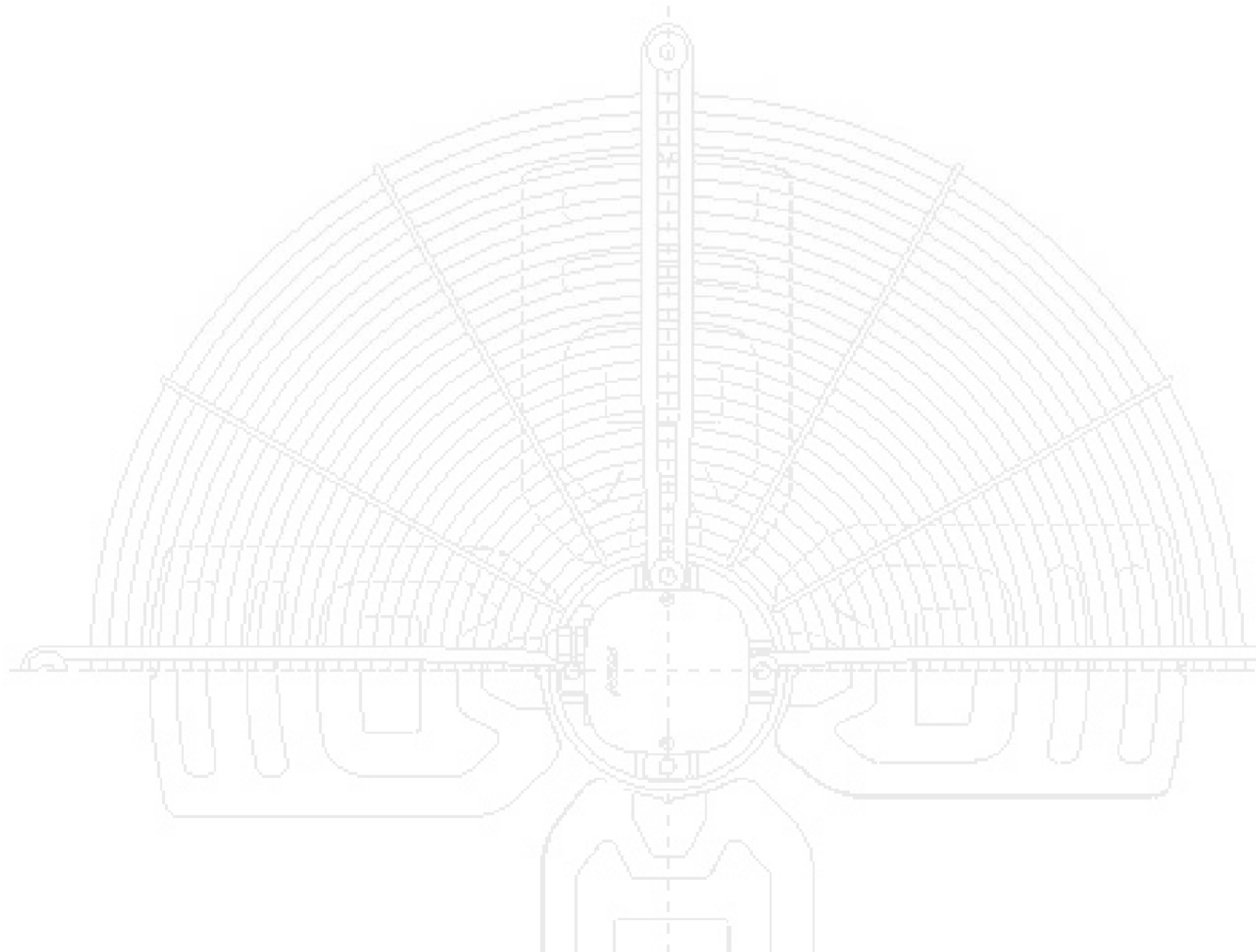
High speed — Low speed —

**Performance Data:**

3~400V D/Y 50Hz
 $P_1 = 560 / 340W$
 $n = 840 / 620min^{-1}$
 $I = 1,05 / 0,55A$
 $t_R = 55^\circ C$
 $L_{wa} = 79 / 71dB(A)$
 Connection: terminal box
 Ins.Cl. F
 IP54

Notes:

Fan characteristic measured in short bell mouth with guard grill

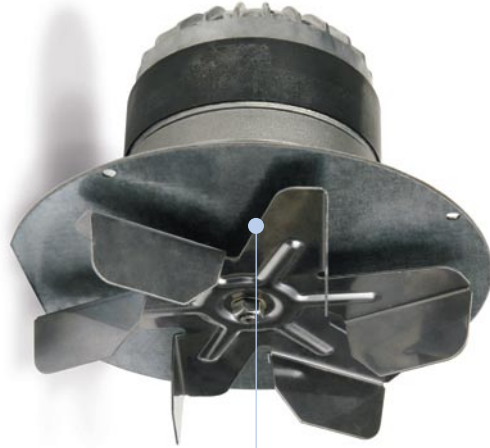


Axial Fans

Example of type key for Centrifugal Fans

R09T-1945D-2M2-1511

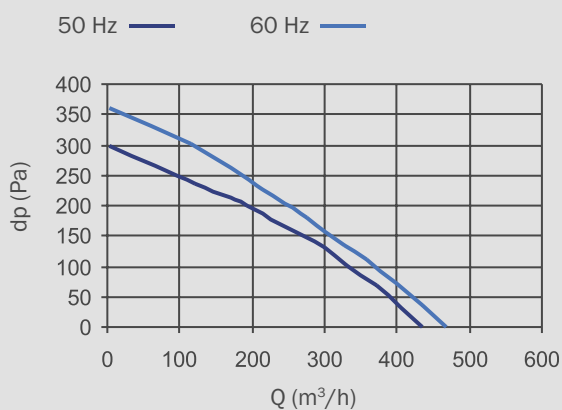
- R09** External rotor motor type
- T** Blade type (T-backward curved, C-forward curved)
- 19** Fan diameter x 10 (exact diameters are stated in drawings)
- 45** Blade width
- D** Direction of rotation
- 2** Number of poles
- M** Number of phases (M-single phase, T-three phase)
- 2** Number of speeds
- 42** Motor stack height
- 11** Electrical design



Centrifugal Fans



R09_-1945D-2M-1511

Diameter: 190 mm**Aerodynamic characteristic:****Performance Data:**

1~230V 50/60Hz

 $P_1 = 50 / 63\text{W}$ $n = 2400 / 2530\text{min}^{-1}$ $I = 0,21 / 0,27\text{A}$ $t_R = 50^\circ\text{C}$

Lwa = 60/ 62dB(A)

C = 2uF / 450V

Connection: cable

Ins.Cl. F

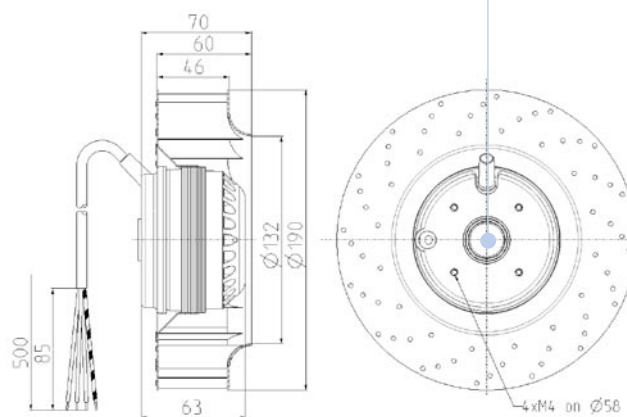
IP44

Backward curved**Type:**

R09T-1945D-2M-1511

Code:

0309-4-0079

**Weight:**

1,4 kg

R09_-2250D-2M-3510

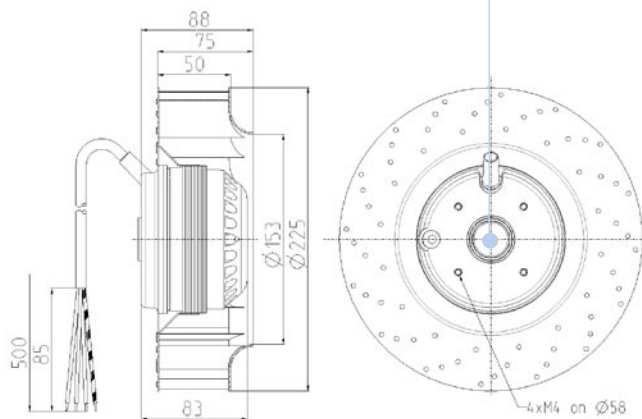


Diameter: 225 mm

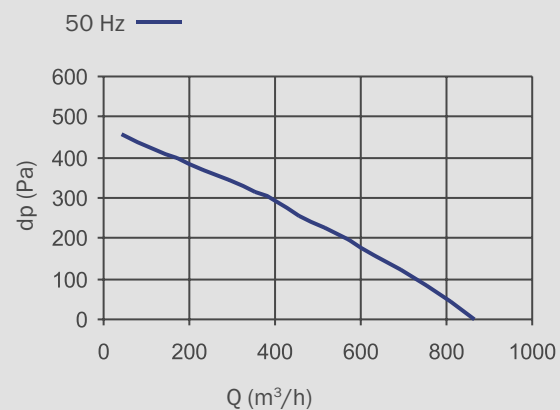
Backward curved

Type:
R09T-2250D-2M-3510

Code:
0309-4-0066



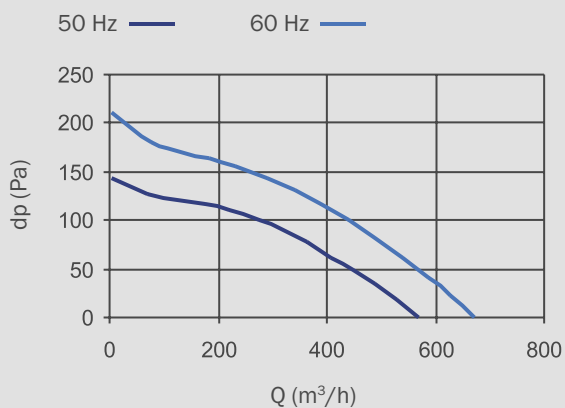
Weight:
2,5 kg

Aerodynamic characteristic:**Performance Data:**

1~230V 50Hz
 $P_1 = 98\text{W}$
 $n = 2450\text{min}^{-1}$
 $I = 0,42\text{A}$
 $t_R = 50^\circ\text{C}$
 $L_{wa} = 70\text{dB(A)}$
 $C = 3,15\mu\text{F} / 450\text{V}$
 Connection: cable
 Ins.Cl. F
 IP44



R09_-2263D-4M-2502

Diameter: 225 mm**Aerodynamic characteristic:****Performance Data:**

1~230V 50/60Hz

 $P_1 = 50 / 54\text{W}$ $n = 1390 / 1630\text{min}^{-1}$ $I = 0,24 / 0,24\text{A}$ $t_R = 50 / 70^\circ\text{C}$

Lwa = 64/ 68dB(A)

C = 1,5uF / 450V

Connection: cable

Ins.Cl. F

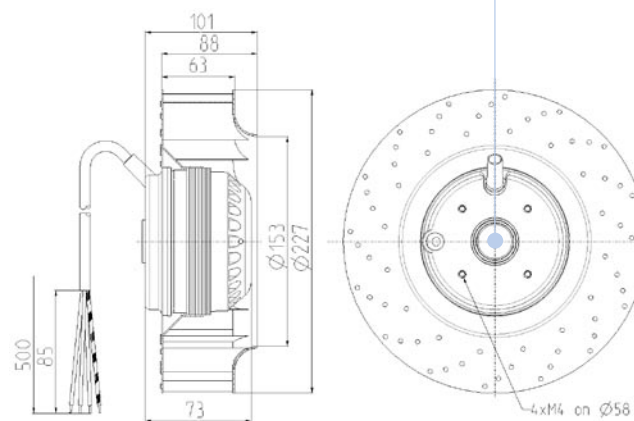
IP44

Backward curved**Type:**

R09T-2263D-4M-2502

Code:

0309-4-0267

**Weight:**

2,3 kg

R09_-2540D-2M-3510



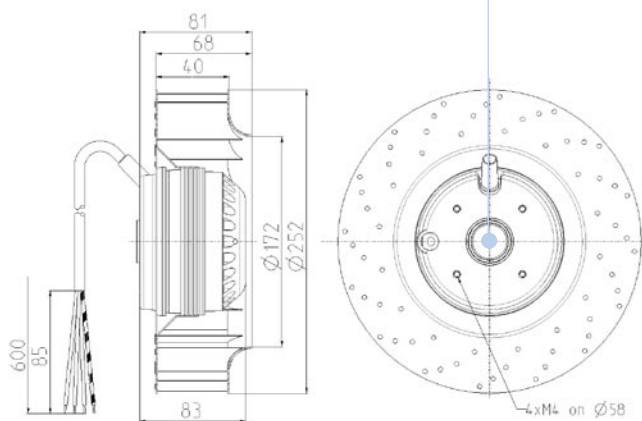
Diameter: 250 mm

Backward curved**Type:**

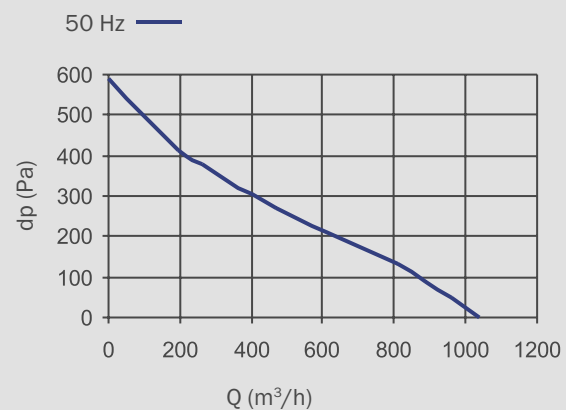
R09T-2540D-2M-3510

Code:

0309-4-0025

**Weight:**

2,6 kg

Aerodynamic characteristic:**Performance Data:**

1~230V 50Hz

 $P_1 = 120W$ $n = 2350\text{min}^{-1}$ $I = 0,52A$ $t_R = 50^\circ C$ $L_{wa} = 72\text{dB(A)}$ $C = 4\mu F / 450V$

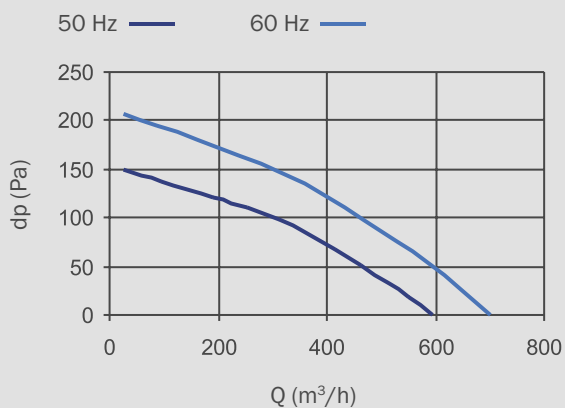
Connection: cable

Ins.Cl. F

IP44



R09_-2540D-4M-2502

Diameter: 250 mm**Aerodynamic characteristic:****Performance Data:**

1~230V 50/60Hz

 $P_1 = 43 / 50\text{W}$ $n = 1380 / 1600\text{min}^{-1}$ $I = 0,20 / 0,21\text{A}$ $t_R = 45 / 50^\circ\text{C}$

Lwa = 65/ 68dB(A)

C = 1,5uF / 450V

Connection: cable

Ins.Cl. F

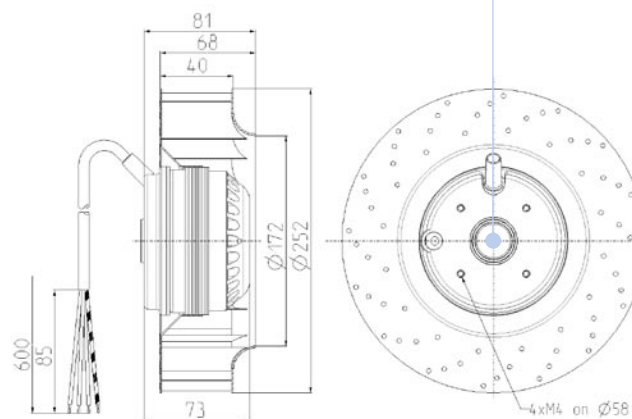
IP44

Backward curved**Type:**

R09T-2540D-4M-2502

Code:

0309-4-0065

**Weight:**

2,1 kg

R09_-2558D-4M-2502



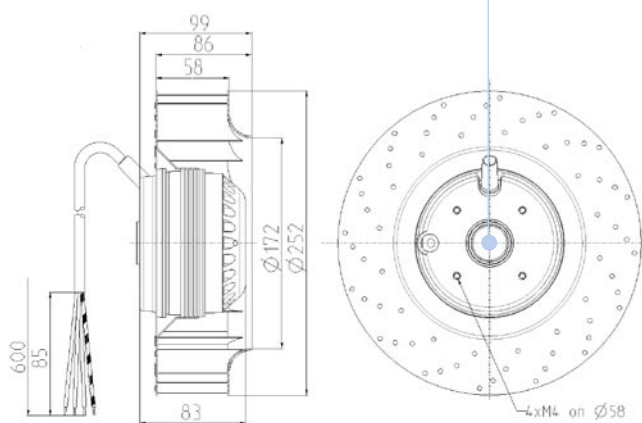
Diameter: 250 mm

Backward curved**Type:**

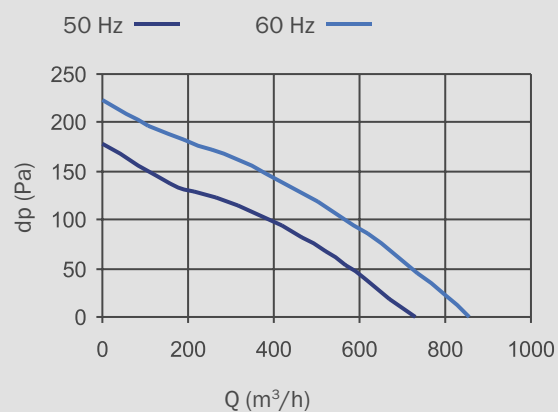
R09T-3558D-4M-2502

Code:

0309-4-0266

**Weight:**

2,3 kg

Aerodynamic characteristic:**Performance Data:**

1~230V 50/60Hz

 $P_1 = 50 / 55W$ $n = 1360 / 1560\text{min}^{-1}$ $I = 0,24 / 0,24A$ $t_R = 50 / 70^\circ\text{C}$ $L_{wa} = 66 / 70\text{dB(A)}$ $C = 1,5\mu\text{F} / 450V$

Connection: cable

Ins.Cl. F

IP44



R09X-2M-1533

Diameter: 150 mm**Performance Data:**

1~230V 50Hz

 $P_1 = 28W$ $n = 2500 \text{ min}^{-1}$ $I = 0,12A$ $C = 1\mu F / 450V$

Connection: cable

Ins.Cl. F

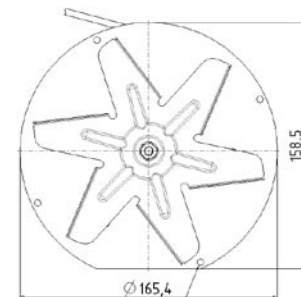
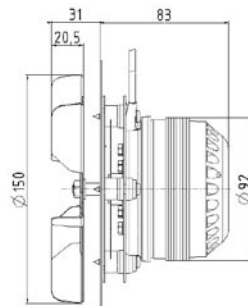
IP44

Type:

R09X-2M-1533

Code:

0309-4-0155

4x $\varnothing 4.4/90^\circ$ on $\varnothing 157.5$ **Weight:**

1,9 kg

Notes:

On request, this fan is available also with Hall sensor.

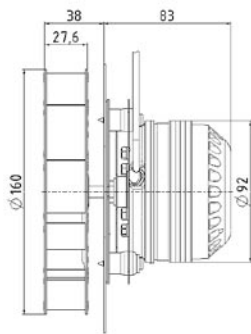
R09X-2M-1533



Diameter: 160 mm

Type:
R09X-2M-1533

Code:
0309-4-0312



Weight:
1,9 kg

Performance Data:

1~230V 50Hz

$P_1 = 35W$

$n = 2350 \text{ min}^{-1}$

$I = 0,15A$

$C = 1\mu F / 450V$

Connection: cable

Ins.Cl. F

IP44

Notes:

On request, this fan is available also with Hall sensor.



R09X-2M-2514

Diameter: 180 mm**Performance Data:**

1~230V 50Hz

 $P_1 = 80W$ $n = 2450 \text{ min}^{-1}$ $I = 0,36A$ $C = 2,5\mu F / 450V$

Connection: cable

Ins.Cl. F

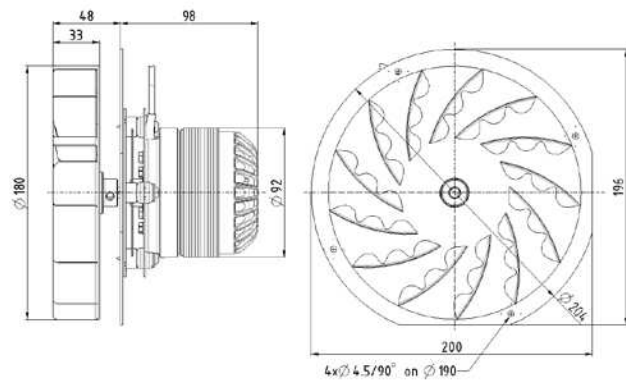
IP44

Type:

R09X-2M-2514

Code:

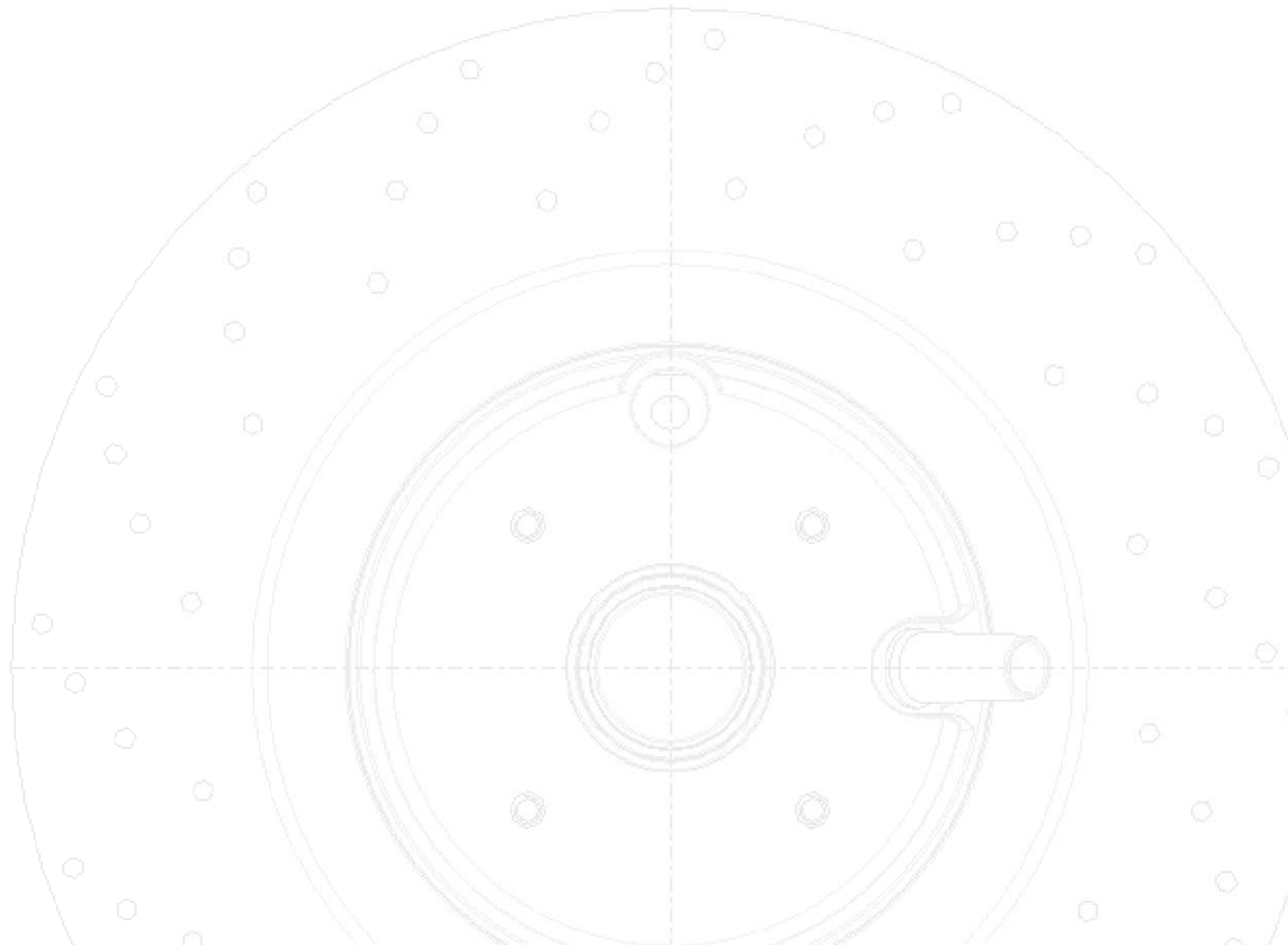
0309-4-0304

**Weight:**

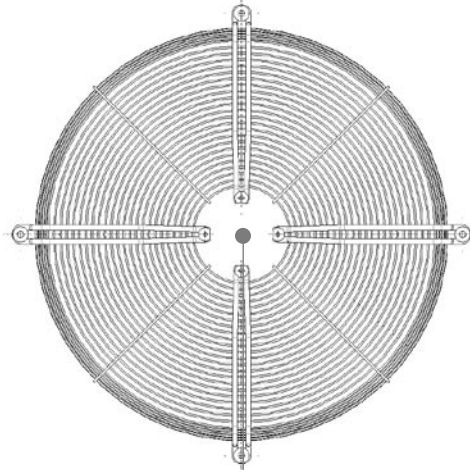
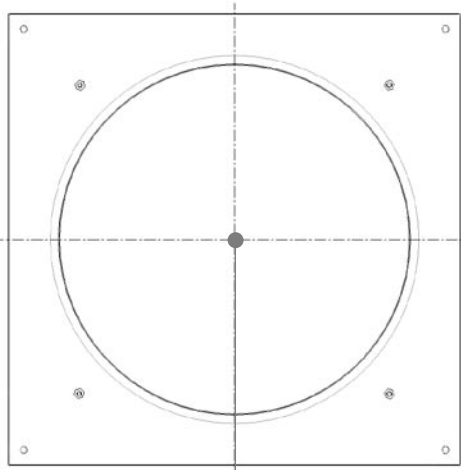
2 kg

Notes:

On request, this fan is available also with Hall sensor.



Centrifugal Fans



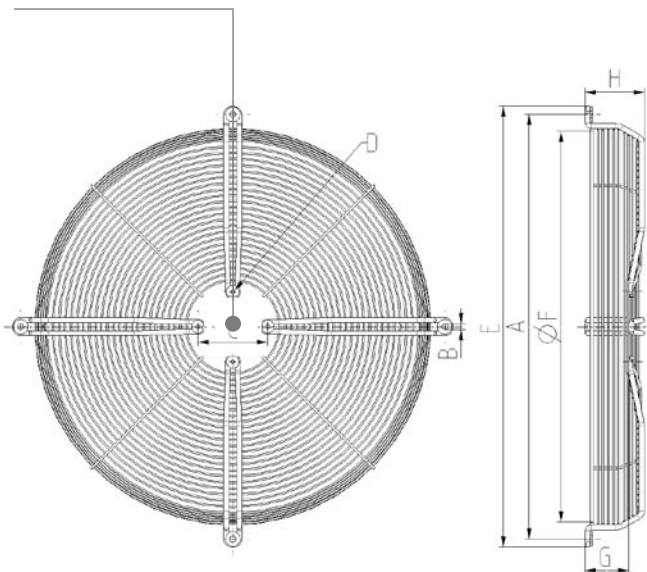
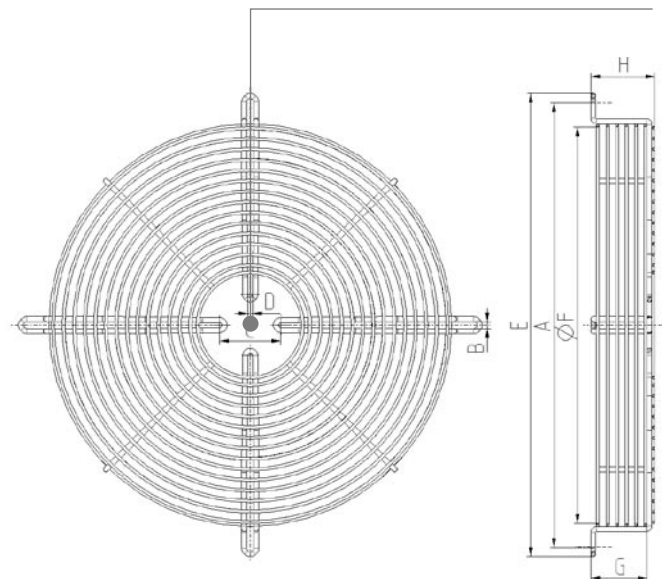
Accessories

Main dimensions - Basket grills Type 1

Fan dia	Motor type	A	B	C	D	E	ø F	G	H	Code
630	R13	750	ø 10,5	115	ø 10,5	784	690	70	96	0300-1-3006
560	R13	700	ø 10,5	115	ø 7	727	644	71,5	97,5	0300-1-3003
500	R13	565	ø 9,5	115	ø 7	589	522	70	96	0300-1-3004
450	R13	515	ø 9,5	115	ø 7	543	479	70	96	0300-1-3001

Main dimensions - Basket grills Type 2

Fan dia	Motor type	A	B	C	D	E	ø F	G	H	Code
450	R11	520	10	90	10	540	480	55	73	0300-1-3000
400	R11	455	ø 9,5	90	ø 6,5	476	422	76	84	0300-1-3026
350	R11	442	6,5	90	6,5	485	376	53	61	0300-1-3027
350	R09	422	6,5	58	6,5	440	376	53	61	0300-1-3008
315	R09	375	6,5	58	6,5	393	336	57	65	0300-1-3022
300	R09	360	6,5	58	6,5	376	316	35	43	0300-1-3009
250	R09	300	6,5	58	6,5	314	269	37	45	0300-1-3104
200	R09	260	6,5	58	6,5	274	230	37	45	0300-1-3103

Basket grills Type 1**Basket grills Type 2**

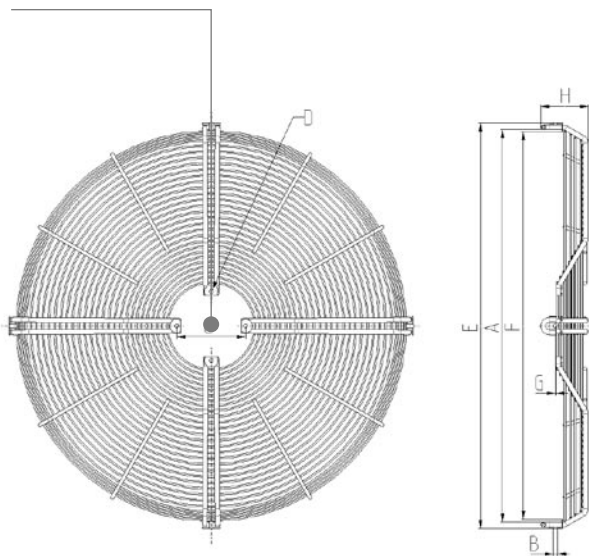
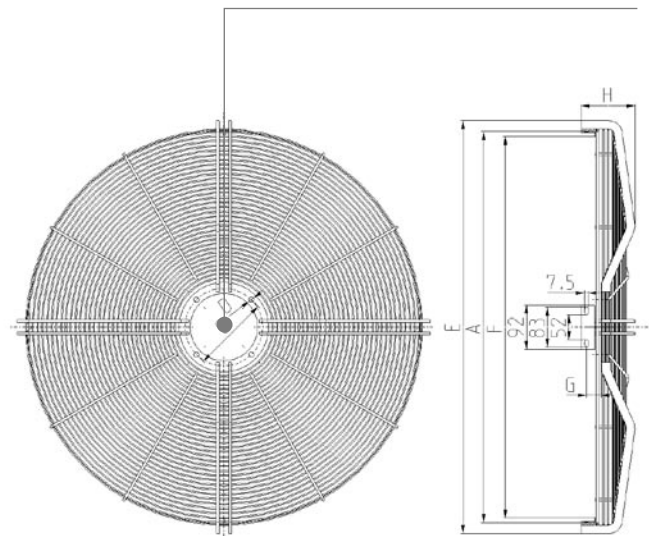
Notes: Surface finish: Black painted RAL9005

Main dimensions - Basket grills Type 3

Fan dia	Motor type	A	B	C	D	E	F	G	H	Code
630	R13	654	∅ 7	115	∅ 7	676	646	1	79	0300-1-3087
560	R13	579	∅ 7	115	∅ 7	601	571	17	94	0300-1-3089

Main dimensions - Basket grills Type 4

Fan dia	Motor type	A	B	C	D	E	F	G	H	Code
800	R18	816	7,5 x 15,5	182	∅ 11	816	795	30	112	0300-1-3072
710	R18	731	7,5 x 14,5	182	∅ 11	777	715	32	112	0300-1-3077

Basket grills Type 3**Basket grills Type 4**

Notes: Surface finish: Black painted RAL9005

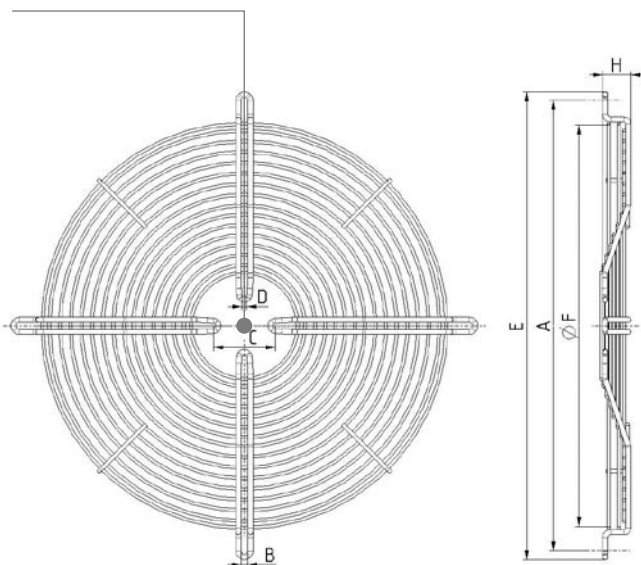
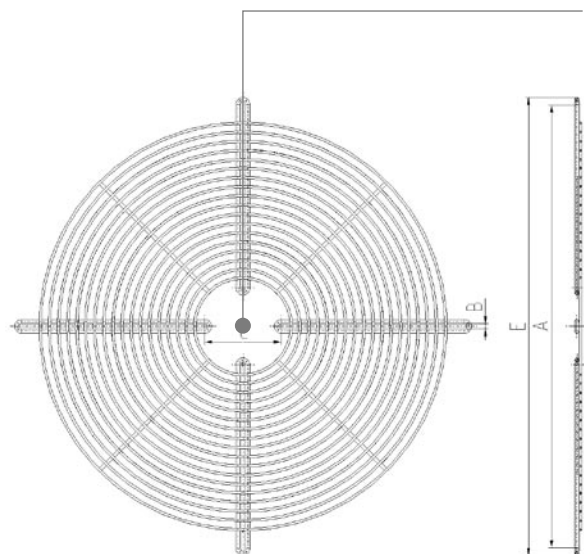
* Zincod

Main dimensions - Basket grills Type 5

Fan dia	Motor type	A	B	C	D	E				Code
350	R09	625	9,5	90	9,5	644				0300-1-3192
330	R09	565	9,5	90	6,5	586				0300-1-3193
315	R09	520	6,5	90	6,5	538				0300-1-3194
300	R09	467	6,5	90	6,5	490				0300-1-3195

Main dimensions - Flat grills

Fan dia	Motor type	A	B	C	D	E				Code
560	R11	625	9,5	90	9,5	644				0300-1-3032
500	R11	565	9,5	90	6,5	586				0300-1-3031
450	R11	520	6,5	90	6,5	538				0300-1-3030
400	R11	467	6,5	90	6,5	490				0300-1-3128
250 *	R09	300	5,5	58	5,5	264				0300-1-3095
200 *	R09	250	5,5	58	5,5	314				0300-1-3094

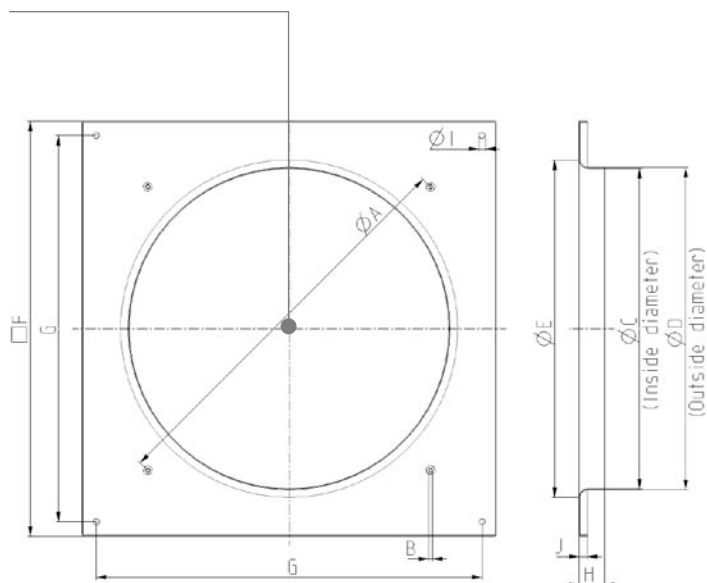
Basket grills Type 5**Flat grills**

Notes: Surface finish: Black painted RAL9005

Main dimensions - Square short wall plates

Fan dia	Airflow direction	A	B	ø C	ø D	ø E	q F	G	H	ø I	J	Code
630	sucking	750	M8	635	638	675	805	750	60	11	15	0300-6-7106
630	blowing	750	M8	635	638	675	805	750	60	11	15	0300-6-7071
560	sucking	700	M8	560	563	590	725	675	45	11	15	0300-6-7108
560	blowing	700	M8	560	563	590	725	675	45	11	15	0300-6-7083
500	sucking	565	M8	504	507	534	655	615	45	11	15	0300-6-7110
500	blowing	565	M8	504	507	534	655	615	45	11	15	0300-6-7081
450	sucking	515	M8	452	455	482	575	535	45	11	15	0300-6-7112
450	blowing	515	M8	452	455	482	575	535	45	11	15	0300-6-7069
400	sucking	455	M8	403	406	433	540	490	45	11	15	0300-6-7114
400	blowing	455	M8	403	406	433	540	490	45	11	15	0300-6-7079
350	sucking	422	M6	360	363	390	485	435	45	11	15	0300-6-7116
350	blowing	422	M6	360	363	390	485	435	45	11	15	0300-6-7077
330	sucking	400	M6	337	340	367	485	435	45	11	15	0300-6-7118
330	blowing	400	M6	337	340	367	485	435	45	11	15	0300-6-7104
315	sucking	375	M6	319	322	349	430	380	45	11	15	0300-6-7120
315	blowing	375	M6	319	322	349	430	380	45	11	15	0300-6-7075
300	sucking	360	M6	307	310	337	430	380	45	11	15	0300-6-7122
300	blowing	360	M6	307	310	337	430	380	45	11	15	0300-4-7073

Square short wall plates

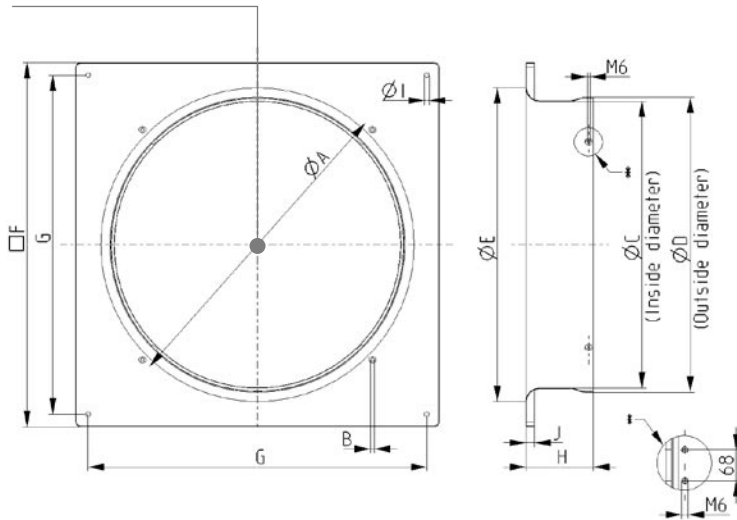


Notes: Surface finish: Black painted RAL9005

Main dimensions - Square long wall plates

Fan dia	Airflow direction	A	B	ø C	ø D	ø E	q F	G	H	ø I	J	Code
800 *	sucking	/	/	797	815	915	970	910	210	14,5	17	0300-6-7068
710 *	sucking	/	/	711	729	790	850	810	167	14,5	20	0300-6-7085
630	sucking	720	M8	634	653	695	805	750	150	11	20	0300-6-7091
560	sucking	658	M8	560	577	630	725	675	135	11	16	0300-6-7095
500	sucking	615	M8	504	518	580	656	615	118	11	16	0300-6-7089
450	sucking	560	M8	451	465	530	576	535	110	11	14	0300-6-7161

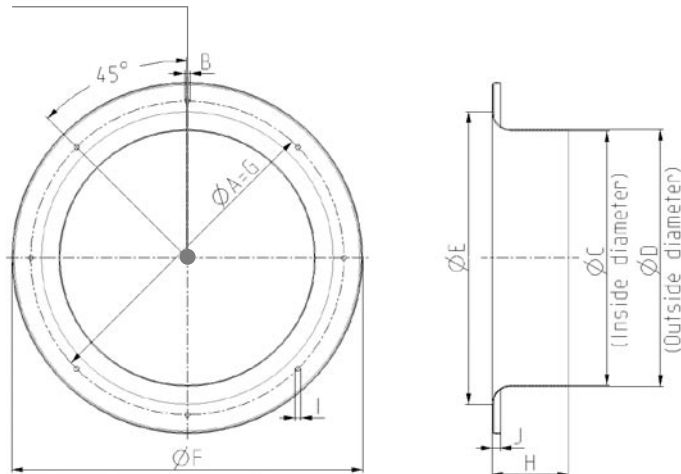
Square long wall plates



Main dimensions - Round long wall plates type 1

Fan dia	Airflow direction	A	ø B	ø C	ø D	ø E	ø F	G	H	ø I	J	Code
200	blowing	250	4,3	203	206	233	280	250	61	6,4	6,5	0300-6-7102
250	blowing	300	4,3	253	256	287	330	300	65	6,4	7,5	0300-6-7103

Round long wall plate Type 1

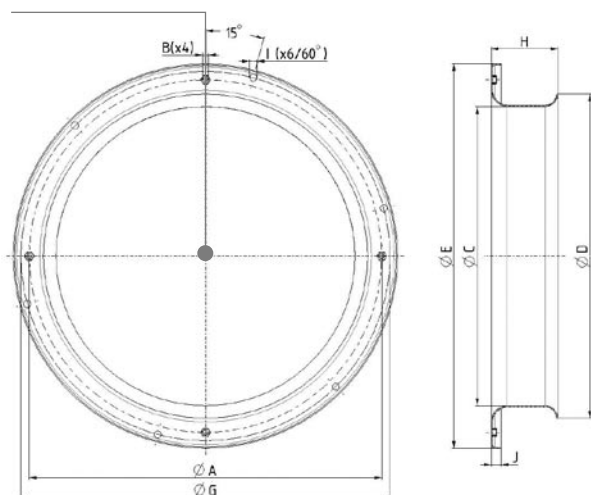


Notes: Surface finish: Black painted RAL9005

Main dimensions - Round long wall plates type 2

Fan dia	Airflow direction	A	B	ø C	ø D	ø E	q F	G	H	ø I	J	Code
350	sucking	422	M6	358	388	460	/	442	80	9	12	0300-6-7150
330	sucking	408	M6	336	369	440	/	404	80	9	9	0300-6-7148
315	sucking	376	M6	317	347	397	/	381	74	9	11	0300-6-7146
300	sucking	361	M6	306	326	397	/	380	80	9	11	0300-4-7144

Round long wall plate Type 2



Sales and distribution:

AUSTRALIA and NEW ZEALAND

HIDRIA AUSTRALIA Pty
84 Nortgate Drive,
Thomastown, Vic 3074
Australia
Tel: +61 3 94642066
Fax: +61 3 94642077
e-mail: sales@hidria.com.au

GERMANY

Sales office:
Helmut Muehlenhoff
Taubenstr. 18
85591 Vaterstetten
Tel: +49(0)81069958944
Fax: +49(0)89069958945
e-mail:
helmut.muehlenhoff@t-online.de

GREECE

Sivar
Lasithiou Str. 6
121-32 Peristeri
Athens, Greece
Tel: +30 2105785003
Web: www.sivar.gr
e-mail: info@sivar.gr

ITALY

SI.VEN Components s.r.l.
Via P. Gorini 44
26900 LODI
Italy
Tel: 0039 0371428249
Fax: 0039 0371428305
e-mail: si.ven@tiscali.it

MALTA

BLYE Engineering Co. Ltd.
Naxxar Road,
San Gwann SNG 07
Malta
Tel: 00356 21 373282/3
Fax: 00356 21 371642
e-mail: blye@blyeeng.com

NORWAY

HILLCO AGENTURER AS
Stromsveien 346,
P.O. Box 11 Leirdal
1008 OSLO
Norway
Tel: +47 23175280
Fax: +47 23175281
e-mail: halto@online.no

SLOVENIJA

EMPOR
Leskoškova 9a
1000 Ljubljana
Tel: +386 1 5203820
Fax: +386 1 5203838
Web: www.empor.si
e-mail: emp@empor.si

SWEDEN and DENMARK

NORDICOLD AB
Datavägen 16,
43632 ASKIM
Sweden
Tel: +46 31680440
Fax: +46 31285291
Web: www.nordicold.se
e-mail: info@nordicold.se

TURKEY

FRIGOTERM Sog.Cih.San. ve Tic. A.S.
Tarlabasi Caddesi No. 110,
80080 BEYOGLU - ISTANBUL
Turkey
Tel: +90(0)2122371929
Fax: +90(0)2122550114
e-mail: international@frigoterm.tr

FINLAND and ESTONIA

REPAIR OY
Atomitie 1 FIN-00370 HELSINKI
Finland
Tel: +358 9 5657780
Fax: +358 9 5657780
e-mail: info@repair.fi

USA

Hidria USA Inc.
202 Beechtree Business Park
Greenville, SC 29605
Tel: +1 864 331 0177
Fax: +1 864 331 0178
e-mail: sarah.davis@ht-usa.com

FAR EAST

Hidria GmbH Shanghai Representative Office
Add: Rm1408, Hitech Plaza,
No.488 Wuning Rd(S),
JingAn District,
Shanghai 200042
Tel: 0086-21-51182399
Mobile: 13671513393
Fax: 0086-21-51182398
Web: www.hidria.com
e-mail: xiaoyuan.zhao@hidria.com

FRANCE

SERHMIS sarl,
12 rue du 8 Mai 1945
69650 Saint Germain au mont d'or
France
Tel: +33 (0)4 69 16 86 57
Fax: +33 (0)4 72 42 38 90
Mobile: +33 (0)6 01 96 77 53
e-mail: serhmis@cegetel.net

SERBIA

FRIGO RADAK COMPANY D.O.O.
Đurđevdanska 20
11000 Beograd
Serbia
Tel/Fax: +381 11 3945577
Mobile: +381 63 318539



Hidria

Produced by:

Hidria Rotomatika d.o.o.

Spodnja Kanomlja 23
5281 Spodnja Idrija,
Slovenia
Phone: +386 5 3756 000
Fax: +386 5 3756 471
e-mail: sales.fans@hidria.com
Web: www.hidria.com