



# ENAPART



93 S Railroad Avenue Unit C  
Bergenfield NJ 07621 USA  
[www.enapart.com](http://www.enapart.com)  
[sales@enapart.com](mailto:sales@enapart.com)



Via del Canneto 35,  
Borgosatollo, Brescia - Italia  
[www.enapart.it](http://www.enapart.it)  
[vendite@enapart.it](mailto:vendite@enapart.it)



Barbaros Mah. Ihlamur Bul. Aĝaoĝlu  
My Newwork No:3/15 Ataşehir / İstanbul  
[www.enapart.net](http://www.enapart.net)  
[satis@enapart.net](mailto:satis@enapart.net)



PRIVADA 10 B SUR #3908 COL.  
ANZUREZ, C.P. 72530, PUEBLA, PUE  
[www.enapart.com.mx](http://www.enapart.com.mx)  
[sales@enapart.com.mx](mailto:sales@enapart.com.mx)



Friedrich-Ebert-Anlage 36, 60325  
Frankfurt am Main, Germany  
[www.enapart.de](http://www.enapart.de)  
[anfrage@enapart.de](mailto:anfrage@enapart.de)



4 boulevard Carnot, 95400  
villiers-le-bel, Paris, France  
[www.enapart.fr](http://www.enapart.fr)  
[sales@enapart.fr](mailto:sales@enapart.fr)



65049, ОДЕСА, ВУЛИЦЯ ІВАНА  
ФРАНКА, БУДИНОК 55, ПОВЕРХ 3  
[www.enapart.com.ua](http://www.enapart.com.ua)  
[sales@enapart.com.ua](mailto:sales@enapart.com.ua)



MUNICIPIUL BUCUREȘTI, SECTOR 3,  
B-DUL BASARABIA, NR.250, CORP P+5  
[www.enapart.ro](http://www.enapart.ro)  
[sales@enapart.ro](mailto:sales@enapart.ro)



〒584-0023 大阪府富田林市若松町  
東2丁目2番16号  
[www.enapart.co.jp](http://www.enapart.co.jp)  
[sales@enapart.co.jp](mailto:sales@enapart.co.jp)



PLAZA NUESTRA SEÑORA DE LAS  
NIEVES 12 ,LOCAL ,50012,ZARAGOZA  
[www.enapart.es](http://www.enapart.es)  
[ventas@enapart.es](mailto:ventas@enapart.es)



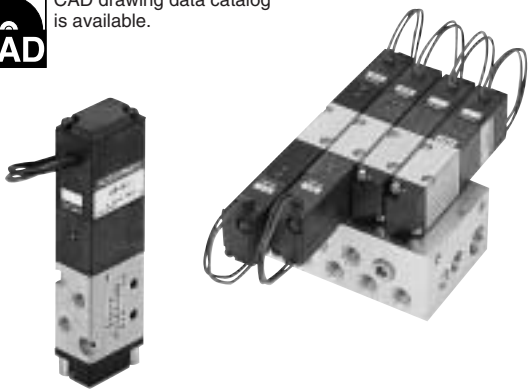
Складова база „Онгъл“, Склад А2, п.к.  
4006, гр. Пловдив, България  
[www.enapart.bg](http://www.enapart.bg)  
[sales@enapart.bg](mailto:sales@enapart.bg)



3 Austin Mews, High Street, Hemel  
Hempstead, HP1 3AF , United Kingdom  
[www.enapart.co.uk](http://www.enapart.co.uk)  
[sales@enapart.co.uk](mailto:sales@enapart.co.uk)



CAD drawing data catalog  
is available.



# KOGANEI

## VALVES GENERAL CATALOG

# SOLENOID VALVES 110 SERIES INDEX

SOLENOID VALVES 110 SERIES

Features	293
Basic Models and Configuration	295
110 Series	
Specifications	297
Cylinder Operating Speed and Flow Rate	299
Tandem Solenoid Valve Order Codes	300
Solenoid Valve, Air-piloted Valve Order Codes	301
Manifold Order Codes	302
Operating Principles and Symbols, Major Parts and Materials	303
Dimensions of Solenoid Valve	304
Dimensions of Manifold	309
Made to Order	315
Plug Connector	
DIN Connector	
LED Indicator	
Built-in Interface Unit	
Air-piloted Valves 110 Series	
Handling Instructions and Precautions	321
PC Board Manifold 110 Series	
Specifications	323
Order Codes	324
Dimensions	325
Handling Instructions and Precautions	328



**Caution**

Before use, be sure to read the "Safety Precautions" on p. 31.

## Reliability & Versatile Applications

# SOLENOID VALVES 110 SERIES

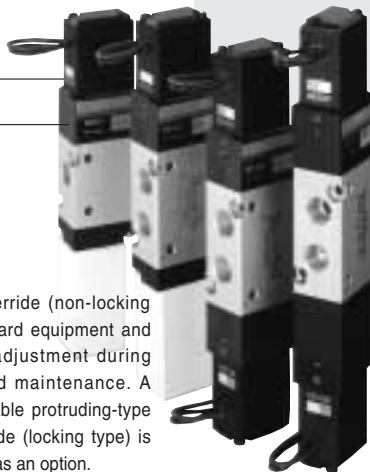
The 110 series Solenoid Valves, which achieve highly reliable, powerful, and low current basic performance in a compact, thin body, offer a simple and flexible standard type, and a full-option type with advanced maintenance features, to become still more user-friendly.

### Standard type

**Its clean lines emphasize basic performance, for**

**low-cost and versatile applications.**

- With a varistor for the AC type, and a flywheel diode for the DC type, the solenoid is equipped with excellent surge suppression measures.



- A manual override (non-locking type) is standard equipment and offers easy adjustment during assembly and maintenance. A fingertip-operable protruding-type manual override (locking type) is also available as an option.

- Equipped with an easy-to-handle plug connector for fast wiring installation and removal. Available in a straight type and L type, both are equipped with LED indicators for easy confirmation of operations.



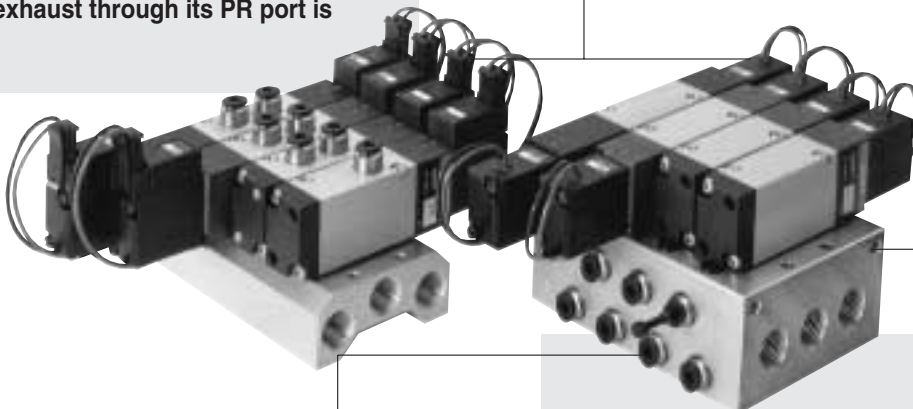
- Built-in quick fittings offer one-touch simple tube installation and removal. Moreover, an effective area of 4.0mm<sup>2</sup> [Cv: 0.22] enables even more powerful applications.

### Full-option type

**Greatly improves piping and wiring work efficiency, for excellent applications in assembly, adjustment, and maintenance.**

### F type manifold

**Direct piping type valves can be mounted directly on this manifold. An FE type manifold enabling collected pilot exhaust through its PR port is also available.**



- The common terminal pre-wired plug connector type frees technicians from tedious common terminal wiring work. Crossover wires are used to connect the common terminals, so that a single common wire is sufficient even for a manifold with many stations.

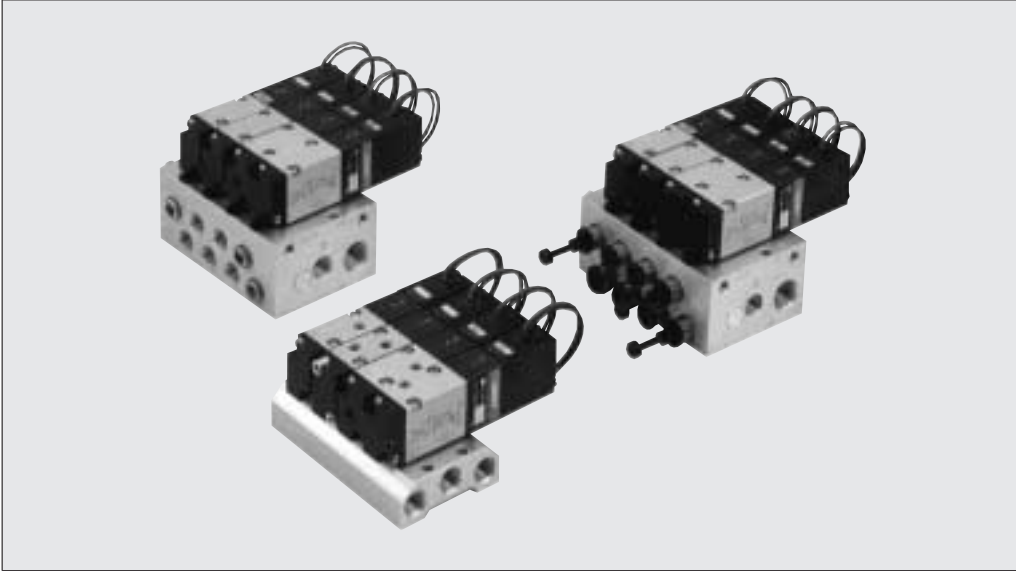
- For the delivery port quick fittings, select from  $\phi 4$  or  $\phi 6$  fittings for each station in accordance with actuator size.

### AJ type manifold

**Combines all ports into a manifold base. Quick fittings are built into the delivery ports (4(A), 2(B)), allowing easy assembly and maintenance in a confined space.**

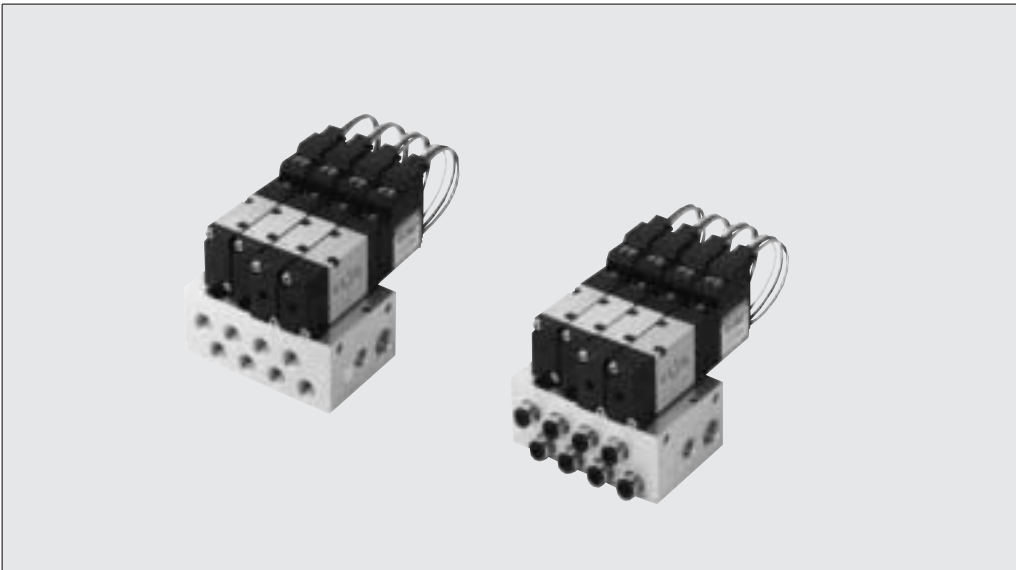
- Piping to the pilot exhaust ports is also possible to keep the control box interior and working environment from becoming contaminated. The built-in check mechanism prevents exhaust interference.

## Twin Solenoid Valve



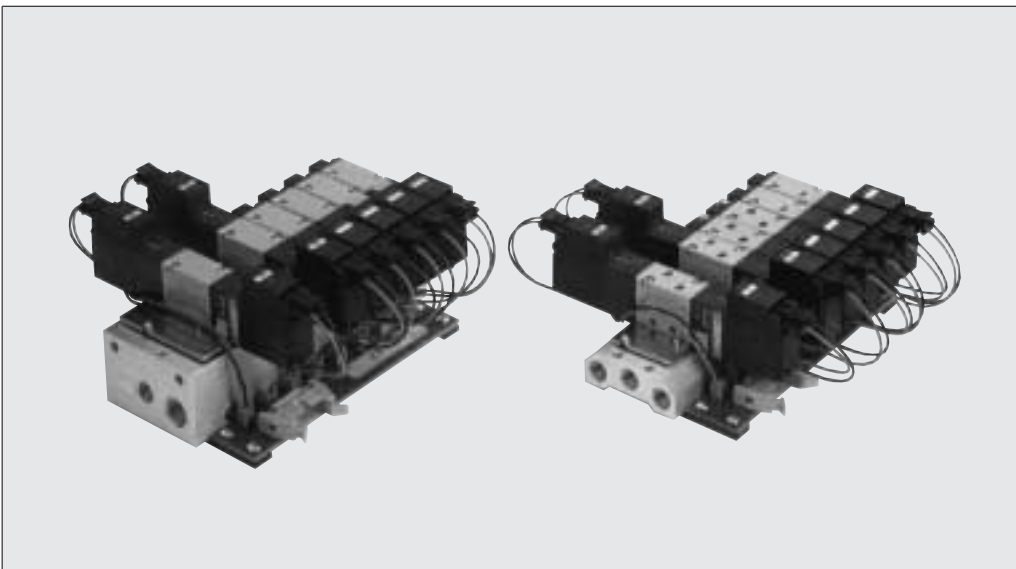
Ensures the functions of the conventional double solenoid type, but in a much shorter length, while simple wiring enables correct connections with a sequencer. Moreover, it is capable of being installed on a conventional manifold to occupy space for two stations.

## Tandem Solenoid Valve



Retains the performance specifications of the 110 series while realizing a two-unit combination solenoid in the space of a single station. Achieves a compact outer appearance for the manifold and still more space savings.


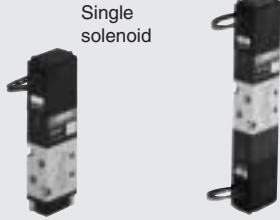
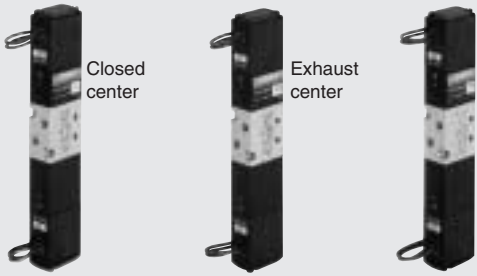
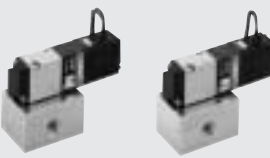

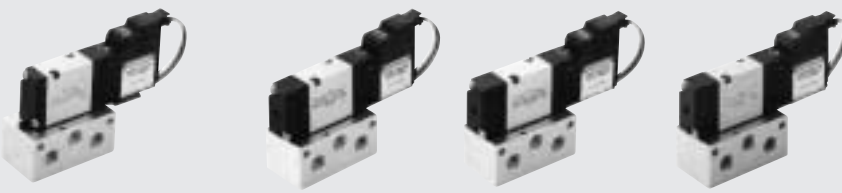
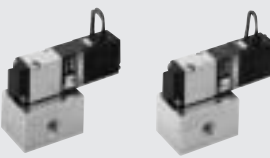


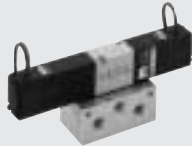





## PC Board Manifold 110 Series



Secures ease of use by using a printed circuit board with a connector for quick wiring connection to control devices. This simplified wiring method greatly reduces wiring work and the need for tools.

# 110 Series Basic Models and Configuration

## Single unit

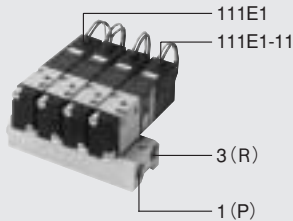
	2-, 3-port	5-port				
Direct piping	<p>Normally closed (NC)    Normally open (NO)</p>  <p><b>111E1</b>    <b>111E1-11</b>  <small>(□110E1)<sup>Note 1</sup>    <small>(□110E1-11)<sup>Note 1</sup></small></small></p>	<p>2-position</p> <p>Single solenoid</p>  <p><b>110-4E1</b></p>	<p>Double solenoid</p>  <p><b>110-4E2</b>  <small>(□110-4KE2)<sup>Note 2</sup></small></p>	<p>Closed center</p>  <p><b>113-4E2</b>  <small>(□113-4KE2)<sup>Note 2</sup></small></p>	<p>Exhaust center</p>  <p><b>113-4E2-13</b>  <small>(□113-4KE2-13)<sup>Note 2</sup></small></p>	<p>Pressure center</p>  <p><b>113-4E2-14</b>  <small>(□113-4KE2-14)<sup>Note 2</sup></small></p>
	Sub-base piping	<p>Normally closed (NC)    Normally open (NO)</p>  <p><b>A111E1-25</b>    <b>A111E1-11-25</b></p>	<p>2-position</p> <p>Single solenoid</p>  <p><b>A110-4E1-25</b></p>	<p>Double solenoid</p>  <p><b>A110-4E2-25</b></p>	<p>Closed center</p>  <p><b>A113-4E2-25</b></p>	<p>Exhaust center</p>  <p><b>A113-4E2-13-25</b></p>
		<p>2-position (tandem solenoid)</p> <p>Double solenoid</p>  <p><b>A110-4ME2</b></p>	<p>Closed center</p>  <p><b>A113-4ME2</b></p>	<p>Exhaust center</p>  <p><b>A113-4ME2-13</b></p>	<p>Pressure center</p>  <p><b>A113-4ME2-14</b></p>	

Notes: 1. 110E1 and A110E1 are dedicated valves for manifolds with combination mounting of 2-, 3-, 5-port valves. They cannot be used as single units. For single unit applications, use 111E1 or A111E1-25.  
 2. They are dedicated twin solenoid valves for manifolds with combination mounting of 2-, 3-, 5-port valves. They cannot be used as single units.

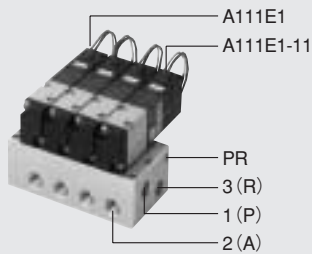
## Manifold

### Small sized manifold for 2-, 3-port valves

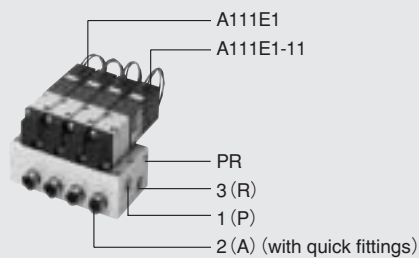
#### 111M□F—F type (1(P), 3(R)) manifold



#### 111M□A—A type (all ports) manifold

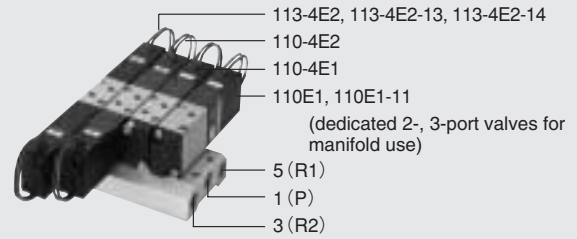


#### 111M□AJ—AJ type (all ports, with quick fittings) manifold

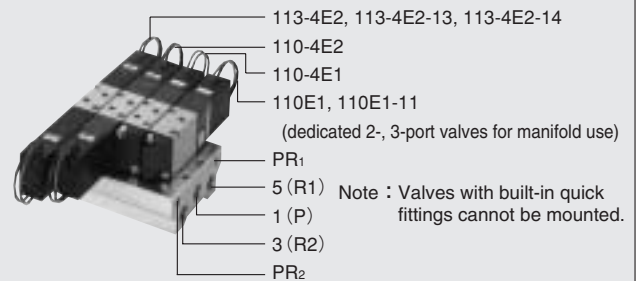


### Manifold for combination mounting of 2-, 3-, 5-port valves

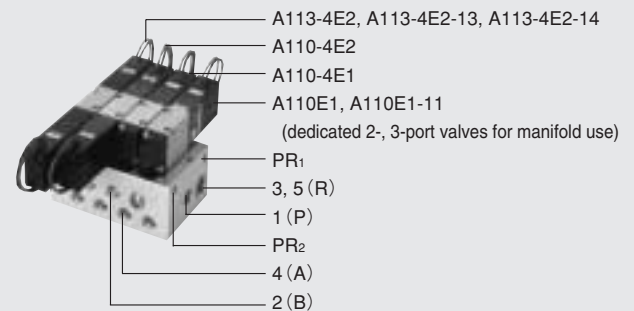
#### 110M□F—F type (1(P), 3(R2), 5(R1)) manifold



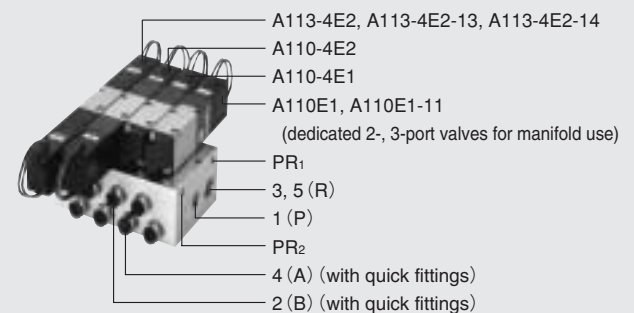
#### 110M□FE<sup>Note</sup>—FE type (1(P), 3(R2), 5(R1), PR) manifold



#### 110M□A—A type (all ports) manifold



#### 110M□AJ—AJ type (all ports, with quick fittings) manifold



# SOLENOID VALVES

## 110 SERIES

### Basic Models and Valve Functions

Item	Basic model	111E1 (110E1) <sup>Note</sup>	110-4E1 110-4E2	110-4KE2 <sup>Note</sup>	113-4E2	113-4KE2
	Sub-base piping, A, AJ type manifolds	A111E1 (A110E1) <sup>Note</sup>	A110-4E1 A110-4E2 A110-4ME2	A110-4KE2 <sup>Note</sup>	A113-4E2 A113-4ME2	A113-4KE2
Number of positions	2 positions			3 positions		
Number of ports	2, 3 ports		5 ports			
Valve function	Normally closed (NC, standard) or Normally open (NO, optional)	Single solenoid, Double solenoid or Tandem solenoid	Twin solenoid	Closed center (standard), Exhaust center (optional), Pressure center (optional) or Tandem solenoid	Closed center (standard), Exhaust center (optional), Pressure center (optional) or Twin solenoid	

Remark : For optional specifications and order codes, see p.300~302.

Note : The 110E1, A110E1, 110-4KE2, and A110-4KE2 are dedicated valves for manifolds with combination mounting of 2-, 3-, 5-port valves. They cannot be used as single units. When using 2-,3-port valves as single units, use 111E1 or A111E1-25.

### Specifications

Item	Basic model	111E1 (110E1)	110-4E1 110-4E2	110-4KE2		113-4E2	113-4KE2	
	Sub-base piping, A, AJ type manifolds	A111E1 (A110E1)	A110-4E1 A110-4E2	A110-4KE2	A110-4ME2	A113-4E2	A113-4KE2	A113-4ME2
Media	Air							
Operation type	Internal pilot type							
Effective area [Cv] <sup>Note1</sup> mm <sup>2</sup>	4.2{0.23}		4.0{0.22}		3.8{0.21}		3.6{0.2}	
Port size <sup>Note 2</sup>	M5×0.8							
Lubrication	Not required							
Operating pressure range MPa {kgf/cm <sup>2</sup> } [psi.]	0.15~0.7 {1.5~7.1} [22~102]							
Proof pressure MPa {kgf/cm <sup>2</sup> } [psi.]	1.05 {10.7} [152]							
Response time <sup>Note 3</sup> ms	DC12V, DC24V	15/25 or below	15/25 {20} or below		15 or below	15/30 or below		
ON/OFF	AC100V, AC200V	15/15 or below	15/15 {15} or below		—	15/20 or below		—
Maximum operating frequency Hz	5							
Minimum time to energize for self holding ms	—	50(□110-4E2)		50		—		
Operating temperature range (atmosphere and media) °C [°F]	5~50 [41~122]							
Shock resistance m/s <sup>2</sup> {G}	1373.0 {140.0} (Axial direction 294.2 {30.0} )				294.2 {30.0}			
Mounting direction	Any							

Notes : 1. For details, see the effective area on p.298.

2. For details, see the port size on p.298.

3. Values when air pressure is 0.5MPa {5.1kgf/cm<sup>2</sup>} [73psi.]. Values in brackets [ ] for 110-4E2, 110-4KE2, and 110-4ME2 are when switching from the opposite position, while the values for 113-4E2, 113-4KE2, and A113-4ME2 are those of the closed center valve, when switching from the neutral position.

### Solenoid Specifications

Item	Rated voltage	DC12V	DC24V	AC100V		AC200V		DC24V (Tandem solenoid)
	Type	Flywheel diode incorporated for surge suppression			Shading type			
Operating voltage range	V	10.8~13.2 (12±10%)	21.6~26.4 (24±10%)	90~132 (100 <sup>+32%</sup> <sub>-10%</sub> )		180~264 (200 <sup>+32%</sup> <sub>-10%</sub> )		21.6~26.4 (24±10%)
Current (when rated voltage is applied)	Frequency Hz	—	—	50	60	50	60	—
	Starting mA (r.m.s)	—	—	36	32	18	16	—
	Energizing mA (r.m.s)	130 (1.6W) (140 (1.7W) with LED indicator )	65 (1.6W) (75 (1.8W) with LED indicator )	24	20	12	10	50 (1.2W)
Allowable leakage current	mA	8	4	4		2		2
Insulation resistance	MΩ	Over 100						
Wiring type and lead wire length	Standard	Grommet type: 300mm [11.8in.]						Plug connector type: 300mm [11.8in.]
	Optional	Plug connector type: 300mm [11.8in.] Note: See made to order on p.315~316.						—
Color of lead wire		Brown (+) Black (-)	Red (+) Black (-)	Yellow		White		Red (SA), Black (COM) White (SB)
Color of LED indicator		Red		Yellow		Green		Red
Surge suppression (as standard)		Flywheel diode			Varistor			Surge absorption transistor

## Effective Area [Cv]

mm<sup>2</sup> [Cv]

Basic model	Standard (Single valve)	Built-in quick fittings	Remarks
111E1 <sup>Note</sup> (110E1) 110-4E1 110-4E2 110-4KE2	4.2 (0.23)	-J4□ : 3.6 [0.20] -J6□ : 4.0 [0.22]	<ul style="list-style-type: none"> <li>● When attaching TS4-M5 to the 1(P), 4(A), 2(B) ports, the value is 1.8(0.10).</li> <li>● On the F type manifold, attaching TS4-M5 to the 4(A), 2(B) ports gives the value 2.1(0.12).</li> <li>● When large flow rates are required, we recommend the φ 6 built-in quick fitting.</li> </ul>
113-4E2 113-4KE2	3.8 (0.21)	-J4□ : 3.4 [0.19] -J6□ : 3.6 [0.20]	
A111E1 <sup>Note</sup> (A110E1) A110-4E1 A110-4E2 A110-4KE2 A110-4ME2	4.0 (0.22)	-J4□ : 3.6 [0.20] -J6□ : 4.0 [0.22]	<ul style="list-style-type: none"> <li>● When mounting on a sub-base or manifold.</li> <li>● Attaching TS4-01 to the 1(P), 4(A), 2(B) ports on the sub-base gives the value 3.2 [0.18].</li> </ul>
A113-4E2 A113-4KE2 A113-4ME2	3.6 (0.20)	3.6 (0.20)	

Note: The delivery port is the 2(A) for 111E1, A111E1.

## Solenoid Valve Port Size

Basic model	Port specification		Port size
111E1 <sup>Note1</sup> (110E1 <sup>Note2</sup> )	Standard	Female thread	M5×0.8
	Optional	-J41	Quick fitting for φ 4, for 2(A) (4(A)) port only
		-J42	Quick fitting for φ 4, for 1(P), 2(A) ports
		-J61	Quick fitting for φ 6, for 2(A) (4(A)) port only
110-4E1 110-4E2 110-4KE2 113-4E2 113-4KE2	Standard	Female thread	M5×0.8
	Optional	-J42	Quick fitting for φ 4, for 4(A), 2(B) ports only
		-J43 <sup>Note 3</sup>	Quick fitting for φ 4, for 1(P), 4(A), 2(B) ports
		-J62	Quick fitting for φ 6, for 4(A), 2(B) ports only
A111E1-25 <sup>Note1</sup> A110-4E1-25 A110-4E2-25 A113-4E2-25 A110-4ME2-25 A113-4ME2-25	1 (P)	Female thread	Rc1/8
	4 (A), 2 (B)		
	3 (R2), 5 (R1)		
	PR	Female thread	M5×0.8

Notes: 1. The delivery port is the 2(A) for 111E1, A111E1-25.

2. Since 110E1 is for manifold use only, piping to the 1 (P) port with a fitting is not possible.

3. Not available in 110-4E2, 113-4E2, 110-4KE2, and 113-4KE2.

## Manifold Connection Port Size

Manifold model	Port	Location of piping ports	Port size
111M□ <sup>F</sup> <sup>Note1</sup> 110M□ <sup>F</sup>	1 (P)	Manifold	Rc1/8
	4 (A), 2 (B)	Valve	M5×0.8 <sup>Note2</sup>
	3 (R), 3 (R2), 5 (R1)	Manifold	Rc1/8
110M□ <sup>FE</sup>	1 (P)	Manifold	Rc1/8
	4 (A), 2 (B)	Valve	M5×0.8
	3 (R2), 5 (R1)	Manifold	Rc1/8
	PR		M5×0.8
111M□ <sup>A</sup> <sup>Note1</sup> 110M□ <sup>A</sup>	1 (P)	Manifold	Rc1/8
	4 (A), 2 (B)		Rc1/8 (111M□ <sup>A</sup> ), Rc1/4 (110M□ <sup>A</sup> )
	3 (R), 3, 5 (R)		
	PR		M5×0.8
111M□ <sup>AJ</sup> <sup>Note1</sup> 110M□ <sup>AJ</sup>	1 (P)	Manifold	Rc1/8
	4 (A), 2 (B)		Quick fitting for φ 4 or φ 6
	3 (R), 3, 5 (R)		Rc1/8 (111M□ <sup>AJ</sup> ), Rc1/4 (110M□ <sup>AJ</sup> )
	PR		M5×0.8

Notes: 1. The delivery port is the 2(A) for 111M□<sup>F</sup>, 111M□<sup>A</sup>, 111M□<sup>AJ</sup>.

2. When the mounting valve is a female thread specification, the ports are this size. For the built-in quick fitting types, quick fittings for φ 4 or φ 6 are installed.

## Solenoid Valve Mass

g [oz.]

Basic model	Mass
111E1	75 [2.65]
(110E1)	80 [2.82]
110-4E1	80 [2.82]
110-4E2	125 [4.41]
110-4KE2	175 [6.17]
113-4E2	145 [5.11]
113-4KE2	165 [5.82]
A111E1	80 [2.82] (180 [6.35])
(A110E1)	85 [3.00]
A110-4E1	85 [3.00] (180 [6.35])
A110-4E2	130 [4.59] (225 [7.94])
A110-4KE2	180 [6.35]
A110-4ME2	110 [3.88] (205 [7.23])
A113-4E2	150 [5.29] (245 [8.64])
A113-4KE2	170 [6.00]
A113-4ME2	120 [4.23] (215 [7.58])

Remark: Figures in parentheses ( ) are the mass with sub-base:-25

## Manifold Mass

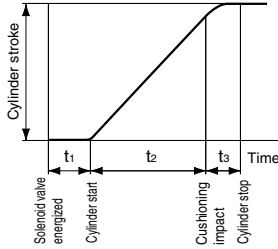
g [oz.]

Manifold model	Mass calculation of each unit (n=number of units)	Block-off plate
111M□ <sup>F</sup>	(15×n)+30 [(0.53×n)+1.06]	5 [0.18]
111M□ <sup>A</sup>	(45×n)+45 [(1.59×n)+1.59]	10 [0.35]
111M□ <sup>AJ</sup>	-J4 : (53×n)+45 [(1.87×n)+1.59] -J6 : (50×n)+45 [(1.76×n)+1.59]	
110M□ <sup>F</sup>	(20×n)+30 [(0.71×n)+1.06]	6 [0.21]
110M□ <sup>FE</sup>	(40×n)+50 [(1.41×n)+1.76]	11 [0.39]
110M□ <sup>A</sup>	(60×n)+60 [(2.12×n)+2.12]	
110M□ <sup>AJ</sup>	-J4 : (67×n)+60 [(2.36×n)+2.12] -J6 : (64×n)+60 [(2.26×n)+2.12]	



# Cylinder Operating Speed

How to obtain cylinder speed



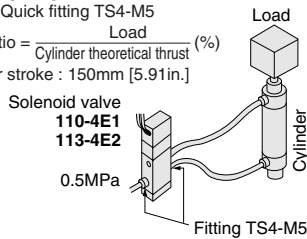
To obtain the time required for the cylinder to complete 1 stroke, add cylinder's delay time  $t_1$  (time between energizing of solenoid valve and actual starting of the cylinder), to the cylinder's max. speed operating time  $t_2$ .

When a cushion is used, add the cushioning time  $t_3$ , to the above calculation. The standard cushioning time  $t_3$  is approximately 0.2 seconds.

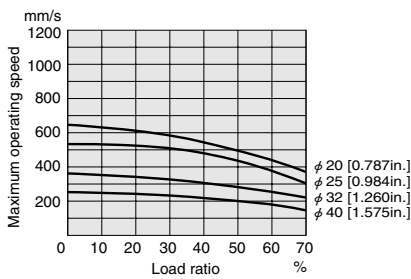
## 110-4E1 113-4E2

### ● Measurement conditions

- Air pressure : 0.5MPa {5.1kgf/cm<sup>2</sup>} [73psi.]
- Piping inner diameter and length :  $\phi$  2.5 [0.10in.] $\times$  1000mm [39in.]
- Fitting : Quick fitting TS4-M5
- Load ratio =  $\frac{\text{Load}}{\text{Cylinder theoretical thrust}} (\%)$
- Cylinder stroke : 150mm [5.91in.]

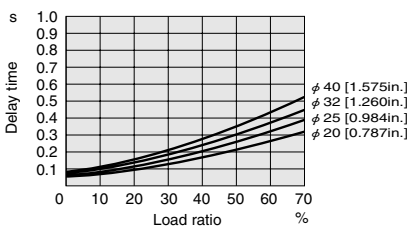


### Maximum operating speed



1mm/s = 0.0394in./sec.

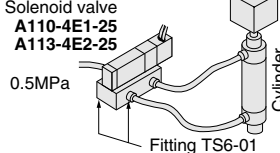
### Delay time



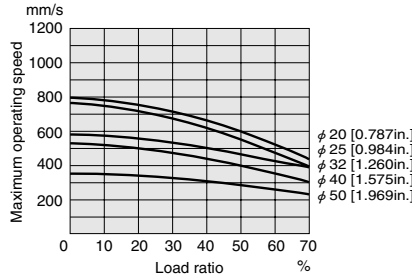
## A110-4E1-25 A113-4E2-25

### ● Measurement conditions

- Air pressure : 0.5MPa {5.1kgf/cm<sup>2</sup>} [73psi.]
- Piping inner diameter and length :  $\phi$  4 [0.16in.] $\times$  1000mm [39in.]
- Fitting : Quick fitting TS6-01
- Load ratio =  $\frac{\text{Load}}{\text{Cylinder theoretical thrust}} (\%)$
- Cylinder stroke : 150mm [5.91in.]

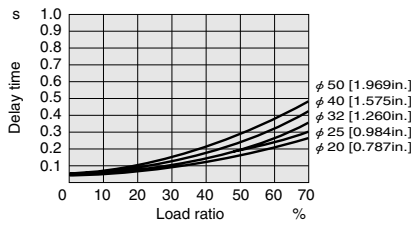


### Maximum operating speed



1mm/s = 0.0394in./sec.

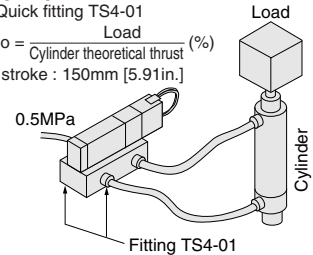
### Delay time



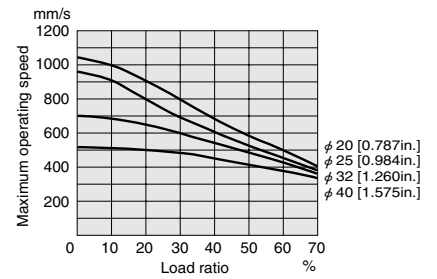
## A110-4ME2 A113-4ME2

### ● Measurement conditions

- Air pressure : 0.5MPa {5.1kgf/cm<sup>2</sup>} [73psi.]
- Piping inner diameter and length :  $\phi$  4 [0.16in.] $\times$  1000mm [39in.]
- Fitting : Quick fitting TS4-01
- Load ratio =  $\frac{\text{Load}}{\text{Cylinder theoretical thrust}} (\%)$
- Cylinder stroke : 150mm [5.91in.]

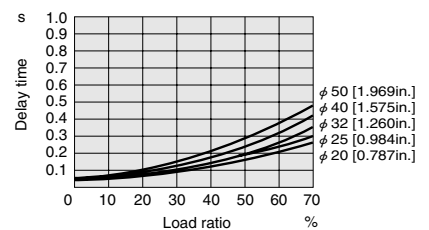


### Maximum operating speed

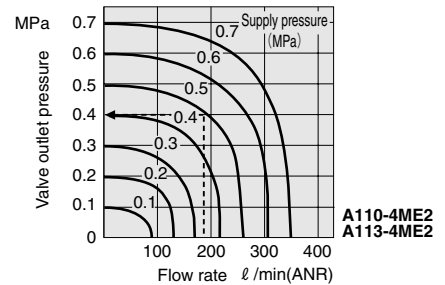
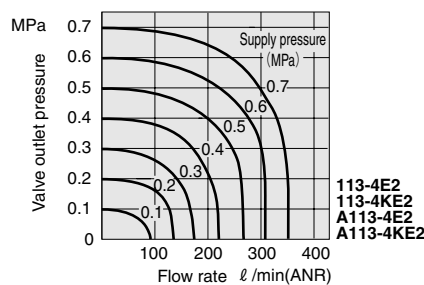
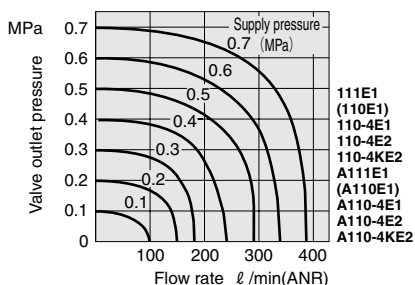


1mm/s = 0.0394in./sec.

### Delay time



# Flow Rate



### How to read the graph

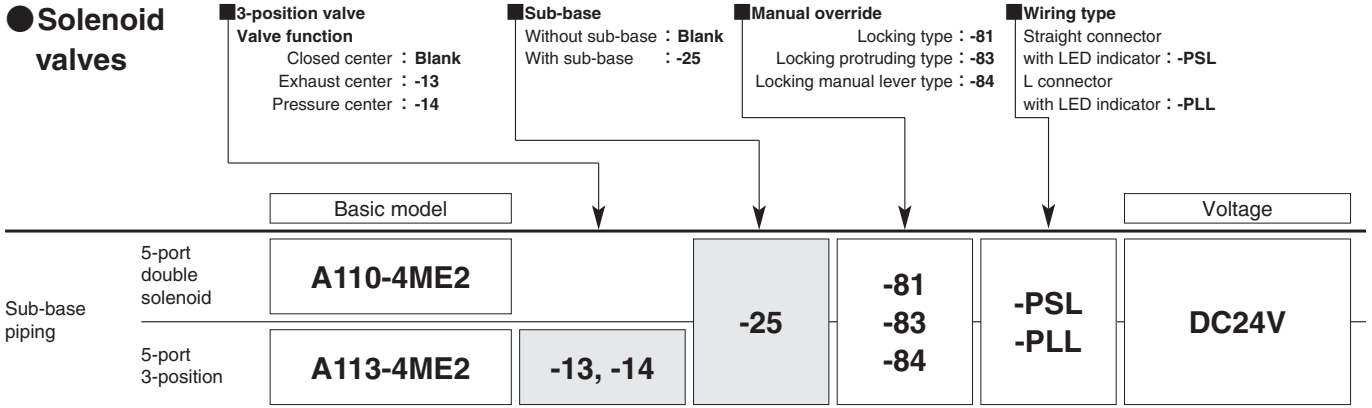
When the supply pressure is 0.5MPa [73psi.] and the flow rate is 180 l/min [6.35ft<sup>3</sup>/min.] (ANR), the valve outlet pressure becomes 0.4MPa [58psi.].

1MPa = 145psi.  
1 l/min = 0.0353ft<sup>3</sup>/min.

# 110 Series Tandem Solenoid Valve Order Codes

※ Single solenoid, double solenoid, twin solenoid, and tandem solenoid valves can be mounted together on the manifold.

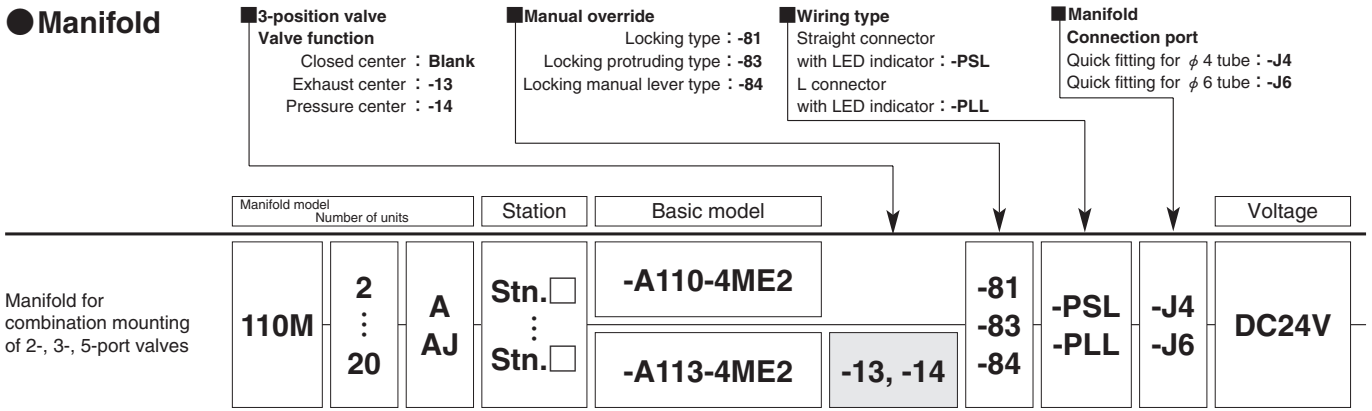
## ● Solenoid valves



Note : They cannot be used as single units.

● Always select one from each group.

## ● Manifold



● Valve mounting location from the left-hand side when facing the 4(A), 2(B) ports.

● Specify the valve model for each station.  
 ● Enter **-BP** when closing a station with a block-off plate without mounting a valve.

● Always select one from each group.

● For the AJ type manifold only, specify either of the two.

## Options

### ■ Wiring type

Straight connector with LED indicator



**-PSL**

● Lead wire length 300mm

L connector with LED indicator



**-PLL**

### ■ Manual override

Locking type



**-81**

Locking protruding type



**-83**

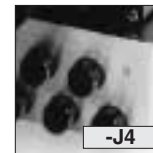
Locking manual lever type



**-84**

### ■ AJ type manifold

Quick fitting for  $\phi$  4 tube



**-J4**

Quick fitting for  $\phi$  6 tube



**-J6**

● Select the tube size for each station.

## Additional Parts (To be ordered separately)

Speed controller



**SCE-01**

● For sub-base piping

Muffler



**KM-11**

● For sub-base piping

Block-off plate



● **110-MA-BP**  
110—For 110M

## Made to Order

Lead wire length



**-1L**  
**-3L**

● For plug connector  
 ● Length **-1L** : 1000 [39in.]  
**-3L** : 3000 [118in.]

# 110 Series Solenoid Valve, Air-piloted Valve Order Codes

2-, 3-port valve Number of ports	2-, 3-port valve Valve function	3-position valve Valve function	Sub-base	Port fitting specifications <small>Note 2</small>	Manual override	Wiring type
3-port 	Normally closed (NC) 	Closed center 	Without sub-base 	Female thread : <b>Blank</b> -J41, -J42, -J43 : Quick fitting for φ 4 tube -J61, -J62, -J63 : Quick fitting for φ 6 tube	Non-locking type 	Lead wire length: 300mm [1.8in.] is standard. Grommet type 
2-port 	Normally open (NO) 	Exhaust center 	With sub-base 	● 2(A) port of 111E1 4(A) port of 110E1	Locking protruding type 	Straight connector with LED indicator 
		Pressure center 		● 4(A), 2(B) ports of 5-port		L connector with LED indicator 

	Basic model					Voltage
Direct piping	2-, 3-port	111E1	-2	-11	-J41, -J42 -J61, -J62 <small>Note 3</small>	-83 -PSL -PLL DC12V DC24V AC100V AC200V
	5-port single solenoid	110-4E1			-J42, -J43 -J62, -J63 <small>Note 3</small>	
	5-port double solenoid	110-4E2			-J42 <small>Note 4</small> -J62	
	5-port 3-position	113-4E2	-13	-14		
Sub-base piping	2-, 3-port	A111E1	-2	-11		-83 -PSL -PLL DC12V DC24V AC100V AC200V
	5-port single solenoid	A110-4E1			-25	
	5-port double solenoid	A110-4E2				
	5-port 3-position	A113-4E2	-13	-14		
For manifold with combination mounting of 2-, 3-, 5-port valves only <small>Note 1</small>	2-, 3-port for 110M□F, FE	110E1	-2	-11	-J41 -J61	-83 -PSL -PLL DC12V DC24V AC100V AC200V
	5-port, 2-position for 110M□F, FE	110-4KE2			-J42 -J62	
	5-port, 3-position for 110M□F, FE	113-4KE2	-13	-14		
	2-, 3-port for 110M□A, AJ	A110E1	-2	-11		
	5-port, 2-position for 110M□A, AJ	A110-4KE2				
	5-port, 3-position for 110M□A, AJ	A113-4KE2	-13	-14		
Direct piping air-piloted valve (made to order)	5-port single pilot	110-4A			-J42, -J43 -J62, -J63	
	5-port double pilot	110-4A2			-J42 -J62	
Sub-base piping air-piloted valve (made to order)	5-port single pilot	A110-4A				-25
	5-port double pilot	A110-4A2				

Notes : 1. They cannot be used as single units.  
 2. The port fittings are for φ 4: TSK4-M8M, and for φ 6: TSK6-M8M.  
 3. Side mounting of valve is not possible when -J41, -J42, -J43, -J61, -J62, or -J63 is selected, because in these cases there are no mounting holes on the valve side surface.  
 4. Mounting on the manifold only is possible when -J42 or -J62 is selected for the 110-4E2 or 113-4E2, because in these cases they do not have mounting holes.

## Additional Parts (To be ordered separately)

Speed controller  SCE-M5	Muffler  KM-05	Mounting base  110-21	Block-off plate  M BP
● For direct piping ● For sub-base piping	● For direct piping ● For sub-base piping	● For direct piping ● For 2-, 3-port and 5-port single solenoids	F — For F type manifold FE — For FE type manifold A — For A type, AJ type manifolds

# 110 Series Manifold Order Codes

2-, 3-port valve Number of ports	2-, 3-port valve Valve function	3-position valve Valve function	Port fitting specifications <small>Note 2</small>	Manual override	Wiring type	Manifold Connection port
3-port 	Normally closed (NC) 	Closed center 	Female thread : <b>Blank</b> -J41, -J42 : Quick fitting for φ 4 tube -J61, -J62 : Quick fitting for φ 6 tube 	Non-locking type 	Grommet type 	Quick fittings for φ 4 tube 
2-port 	Normally open (NO) 	Exhaust center 	● 2(A) port of 111E1 (4(A) port of 110E1) 	Locking protruding type 	Straight connector with LED indicator 	Quick fittings for φ 6 tube 
		Pressure center 	● 4(A), 2(B) ports of 5-port 		L connector with LED indicator 	
					Straight connector with LED indicator 	
					L connector with LED indicator 	

● Lead wire length: 300mm [11.8in.] is standard.

● CP□L : DC12V and DC24V positive side, and AC100V, AC200V.  
● CM□L : DC12V and DC24V negative side.

Manifold model	Number of units	Station	Basic model	Port fitting	Manual override	Wiring type	Manifold Connection port	Voltage	
111M	2 ... 20	F	stn. □ -111E1	-2	-11	-J41 -J61	-83	DC12V DC24V AC100V AC200V	
		A AJ	stn. □ -A111E1	-2	-11		-J4 -J6	DC12V DC24V AC100V AC200V	
110M	2 ... 20	F FE <sup>Note1</sup>	stn. □ -110E1			-J41 -J61	-83	-PSL -PLL -CPSL -CMSL -CPLL -CMLL	DC12V DC24V AC100V AC200V
			stn. □ -110-4E1			-J42 -J62			
			stn. □ -110-4E2						
			stn. □ -110-4KE2						
		A AJ	stn. □ -113-4E2		-13				
			stn. □ -113-4KE2		-14				
			stn. □ -A110E1	-2	-11				
			stn. □ -A110-4E1						
			stn. □ -A110-4E2						
			stn. □ -A110-4KE2						
110M	2 ... 20	F	stn. □ -110-4A			-J42 -J62			
			stn. □ -110-4A2						
		A AJ	stn. □ -A110-4A					-J4 -J6	
			stn. □ -A110-4A2						

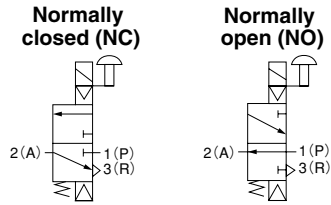
- Valve mounting location from the left-hand side when facing the 4(A), 2(B) ports.
- Since a twin solenoid valve requires 2 stations per valve to mount, the second station (solenoid 12(S1) side) should be blank.
- Notes : 1. Since the PR port on the port fitting type valves is located on the opposite side from the manifold, pilot air is exhausted directly from the valve. For that reason, collective exhaust is not possible and the port fitting type valves cannot be used for the manifold.  
2. Fitting used for port fitting specifications, φ 4: TSK-M&M, φ 6: TSK6-M&M.
- Specify the valve model for each station.
- Enter **-BP** when closing a station with a block-off plate without mounting a valve.
- Specify only for F type manifolds.
- For the AJ type manifold only, specify either of the two.  
● It is not required when ordering a single valve unit.
- Pre-wired common terminal for AC100V and AV200V is either **-CPSL** or **-CPLL**.

**Made to Order** The 110 series includes made to order items of various kinds for further system development. For details, see p.315~317.

<b>Straight connector with LED indicator</b>  <b>-PSLN</b> ● Without lead wire ● Connector, contacts included.	<b>L connector with LED indicator</b>  <b>-PLLN</b> ● Without lead wire ● Connector, contacts included.	<b>Lead wire length</b>  <b>-1L -3L</b> ● For plug connector ● Length (mm) -1L : 1000 [39in.] -3L : 3000 [118in.]	<b>DIN connector</b>  <b>-39</b> ● Cannot be used with -L.	<b>LED indicator with built-in varistor</b>  <b>-L</b> ● Cannot be used with -39.	<b>Built-in interface unit</b>  <b>-FA</b> ● Possible to be directly controlled by output from micro computer or other logic devices. ● With LED indicator	<b>Air-piloted valves 110 series</b>  ● 5-port, 2-position ● Single pilot ● Double pilot
--	---	---	---	--	--	--

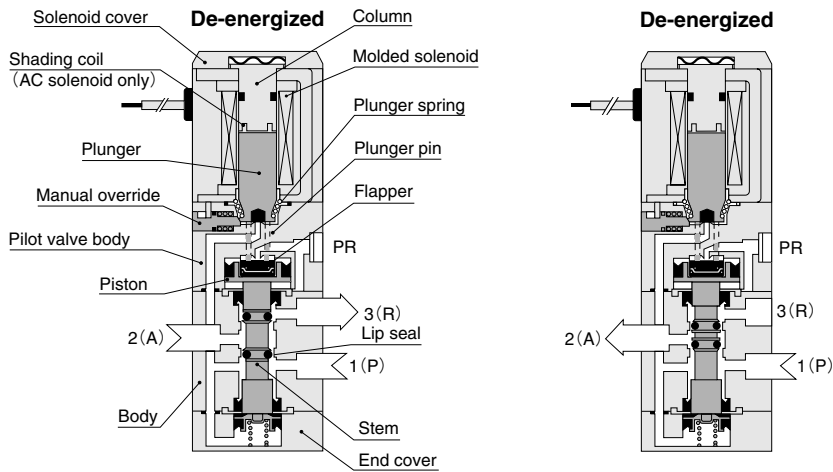
# Operating Principles and Symbols

## 3-port



**111E1**

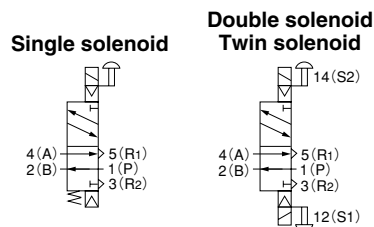
**111E1-11**



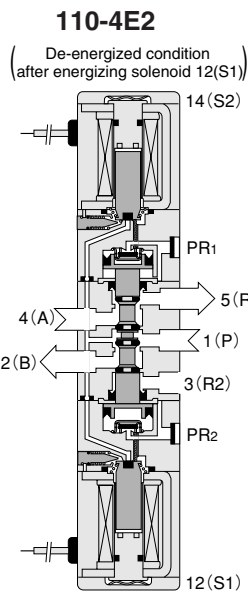
## Major Parts and Materials

	Parts	Materials
Valve	Body	Aluminum alloy (anodized)
	Stem	(anodized)
	Lip seal	Synthetic rubber
	Flapper	Synthetic rubber
	Mounting base	Mild steel (zinc plated)
	Sub-base	Aluminum alloy (anodized)
Manifold	Plunger	Magnetic stainless steel
	Column	stainless steel
	Body	Aluminum alloy (anodized)
	Block-off plate	Mild steel (nickel plated)
	Seal	Synthetic rubber

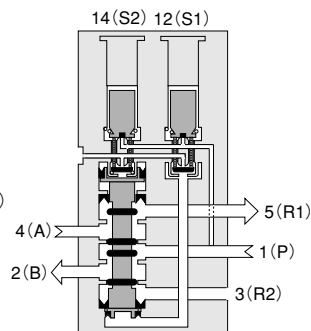
## 5-port, 2-position



**110-4E1**  
De-energized

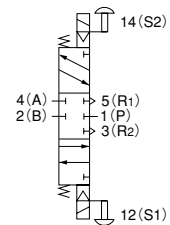


**110-4KE2**  
(De-energized condition after energizing solenoid 12(S1))



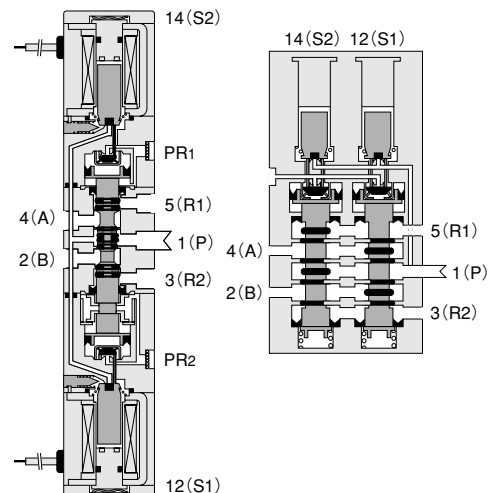
## 5-port, 3-position

### Closed center



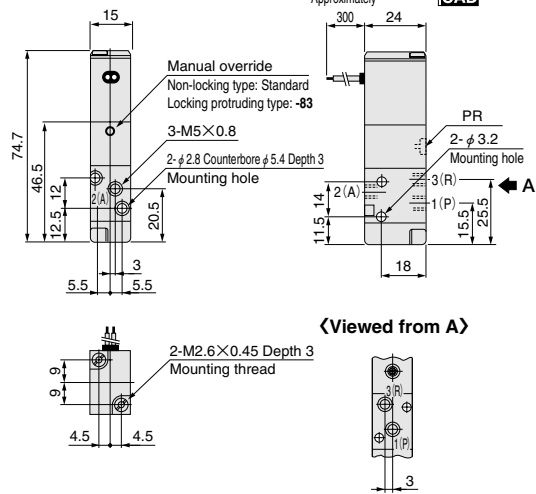
**113-4E2**

**113-4KE2**

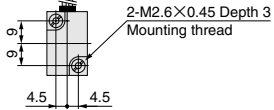


# Dimensions of Solenoid Valve, 2-, 3-port (mm)

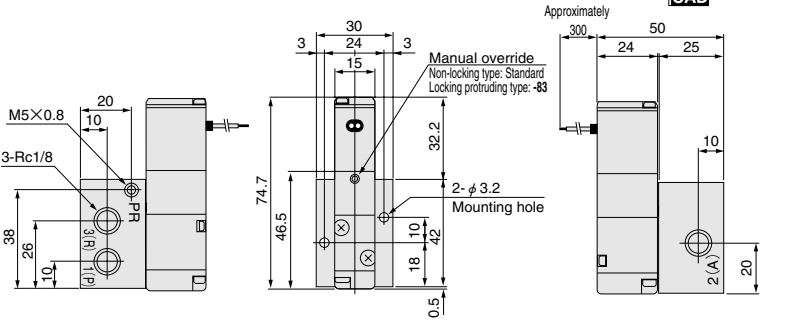
## 111E1



(Viewed from A)

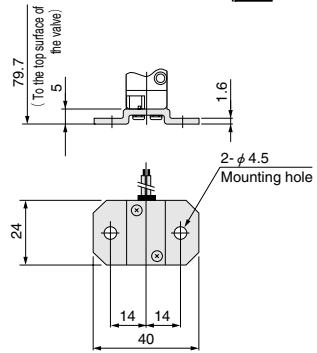


## A111E1-25



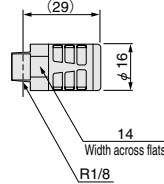
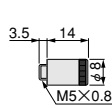
## Additional Parts (To be ordered separately)

● Mounting base : 110-21 110-BASE



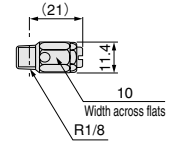
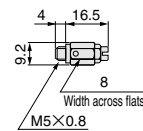
● Muffler 110-MUFF

For direct piping : KM-05 For sub-base piping : KM-11



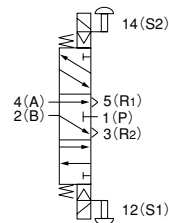
● Speed controller 110-SC

For direct piping : SCE-M5 For sub-base piping : SCE-01

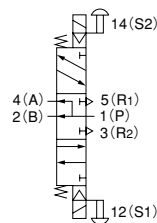


For options and made to order, see p.306.

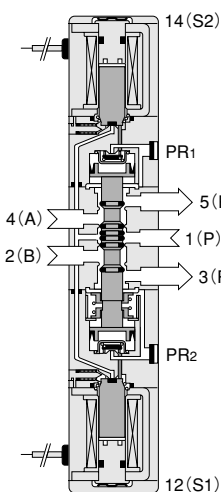
### Exhaust center



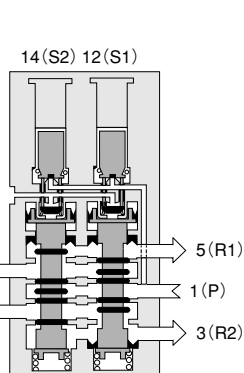
### Pressure center



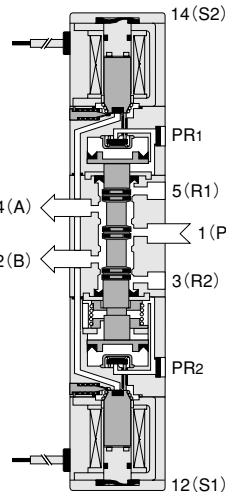
### 113-4E2-13



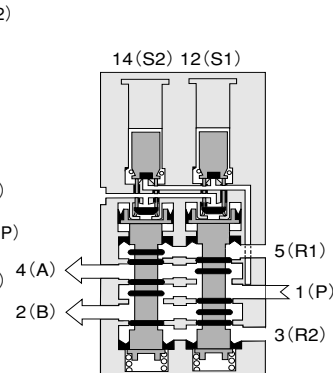
### 113-4KE2-13



### 113-4E2-14



### 113-4KE2-14

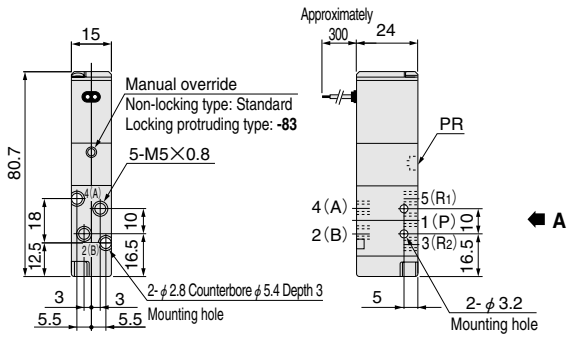


# Dimensions of Solenoid Valve 5-port , 2-, 3-position (mm)

110-4E1



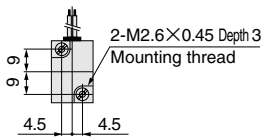
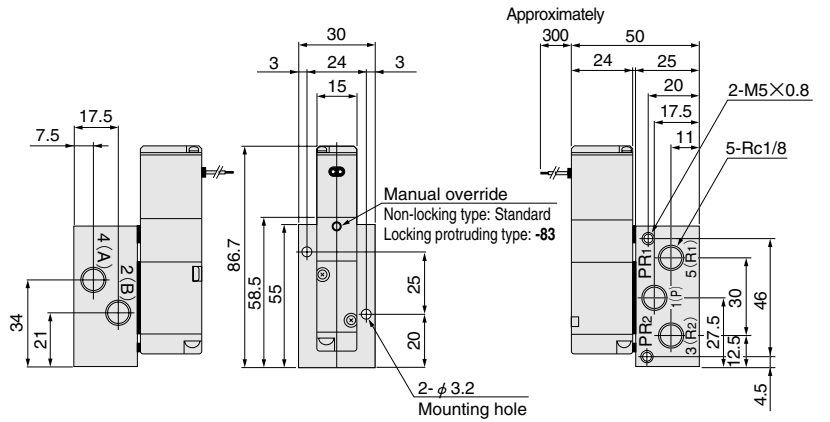
110-4E1



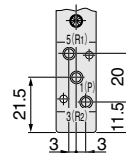
A110-4E1-25



A110-4E1



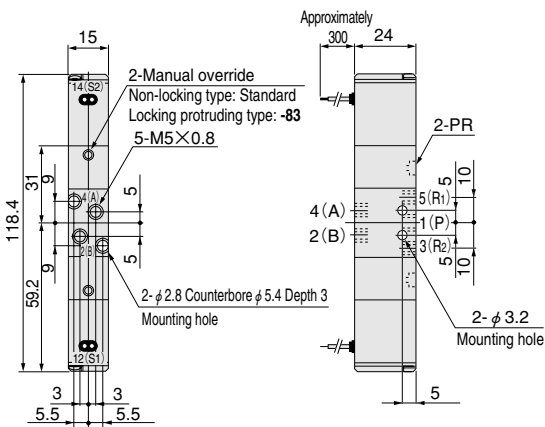
(Viewed from A)



110-4E2



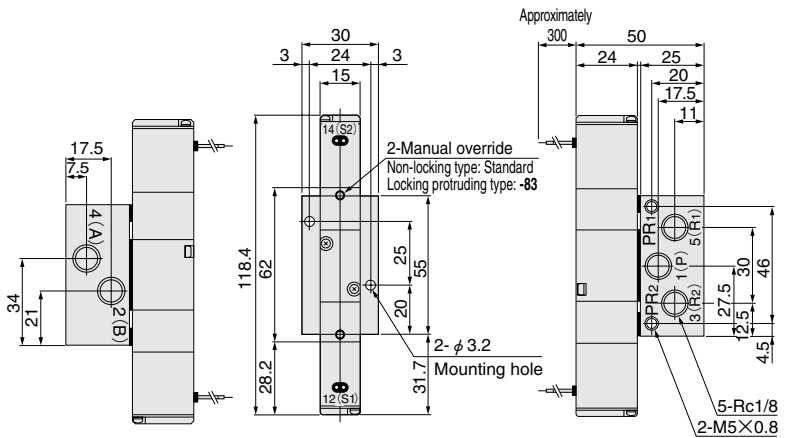
110-4E2



A110-4E2-25



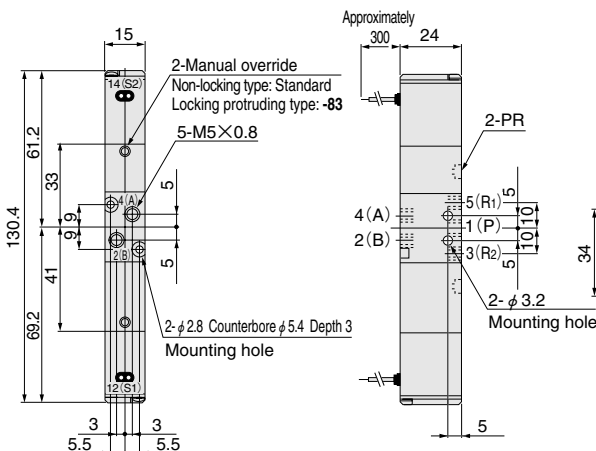
A110-4E2



113-4E2



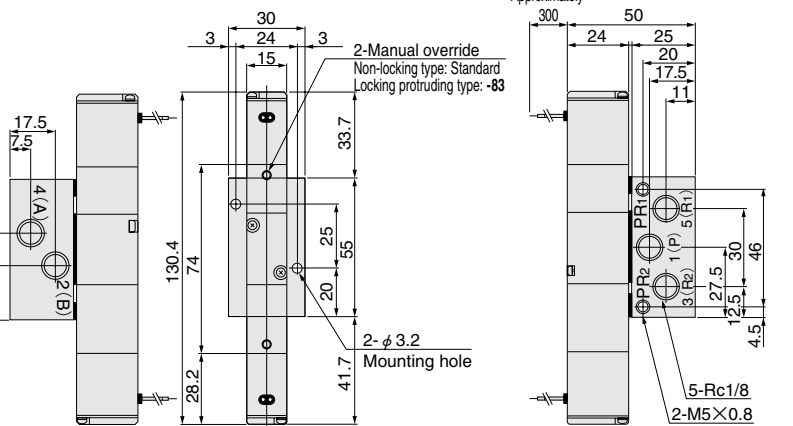
113-4E2




A113-4E2-25




A113-4E2



## Additional Parts (To be ordered separately)

● Mounting base : 110-21  110-BASE

● Muffler  110-MUFF

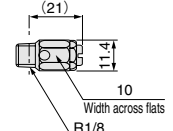
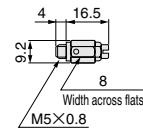
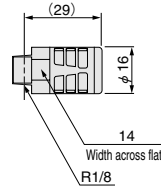
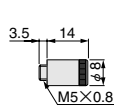
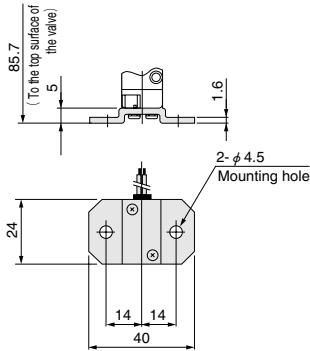
● Speed controller  110-SC

For direct piping : **KM-05**

For sub-base piping : **KM-11**

For direct piping : **SCE-M5**

For sub-base piping : **SCE-01**



## Options

● With quick fittings (2-, 3-port):

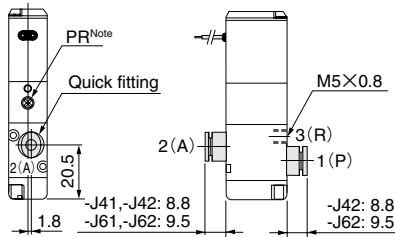
-J41 (For φ 4 tube, 2(A) or 4(A) port with fitting)

-J42 (For φ 4 tube, 1(P), 2(A) ports with fittings)

-J61 (For φ 6 tube, 2(A) or 4(A) port with fitting)

-J62 (For φ 6 tube, 1(P), 2(A) ports with fittings)

The drawing shows the -J42 specification.



Note : PR is on the side with the A port.

● With quick fittings (5-port):

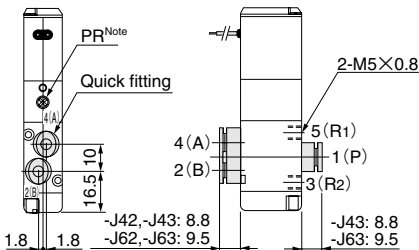
-J42 (For φ 4 tube, 4(A), 2(B) ports with fittings)

-J43 (For φ 4 tube, 1(P), 4(A), 2(B) ports with fittings)

-J62 (For φ 6 tube, 4(A), 2(B) ports with fittings)

-J63 (For φ 6 tube, 1(P), 4(A), 2(B) ports with fittings)

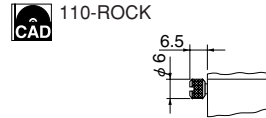
The drawing shows the -J43 specification.



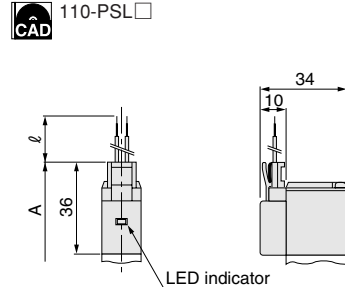
Note : PR is on the side with the A, B ports.

Remark: Valves with quick fittings do not have 2-φ 3.2 side mounting holes. Moreover, the quick fittings are the following types:  
**TSK4-M8M** (for φ 4 tube), **TSK6-M8M** (for φ 6 tube)

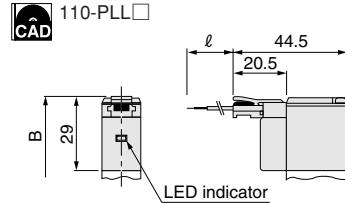
● Locking protruding type manual override : -83




● Solenoid with straight connector : -PSL



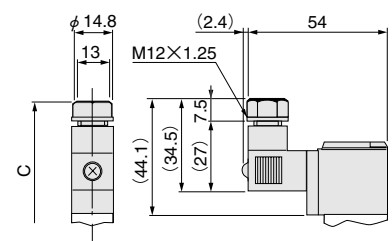
● Solenoid with L connector : -PLL



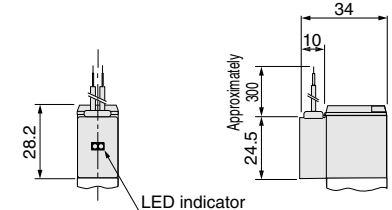
## Made to Order

 110-PSL□

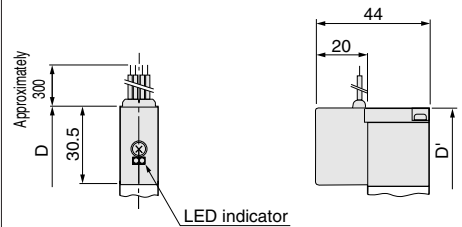
● Solenoid with DIN connector : -39



● Solenoid with LED indicator : -L



● Built-in interface unit : -FA



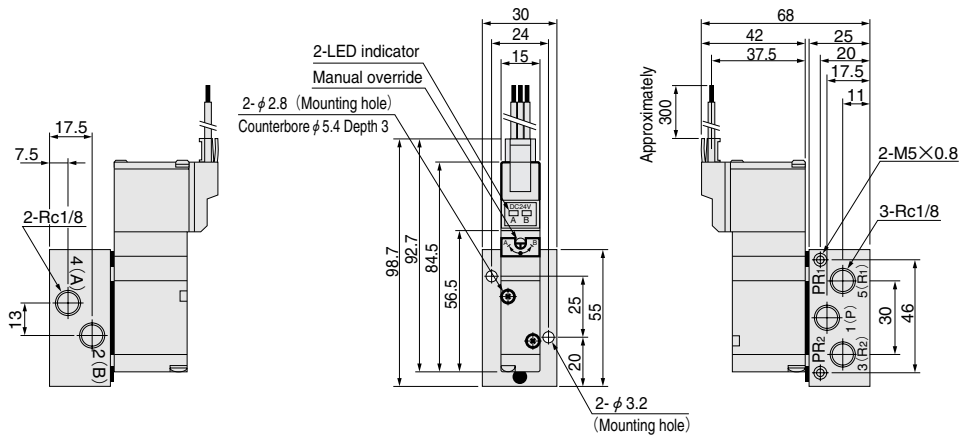
Model	Code	A	B	C	D	D'	ℓ (lead wire length)	Remarks
111E1, A111E1-25		82.5	75.5	90.6	77	77.2	-PSL, -PLL : 300 Made to order	Overall length to the end of the valve or sub-base
110-4E1		88.5	81.5	96.6	83	83.2		
A110-4E1-25		94.5	87.5	102.6	89	89.2		
110-4E2, A110-4E2-25		134	120	150.2	123	123.4	-1L : 1000 -3L : 3000	Overall length to the end of the opposite side solenoid
113-4E2, A113-4E2-25		146	132	162.2	135	135.4		

mm

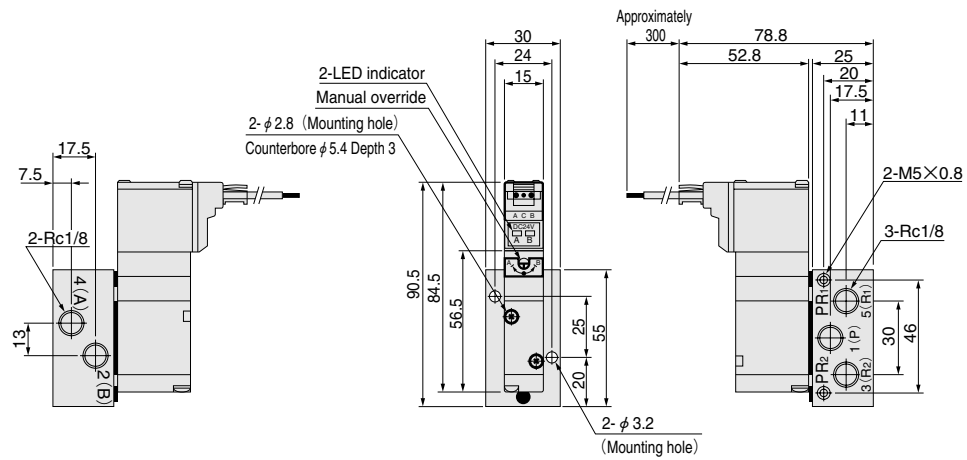


# Dimensions of Tandem Solenoid Valve 5-port , 2-position (mm)

## A110-4ME2-25-PSL



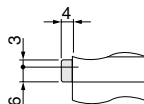
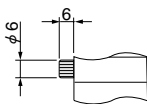
## A110-4ME2-25-PLL



## Options

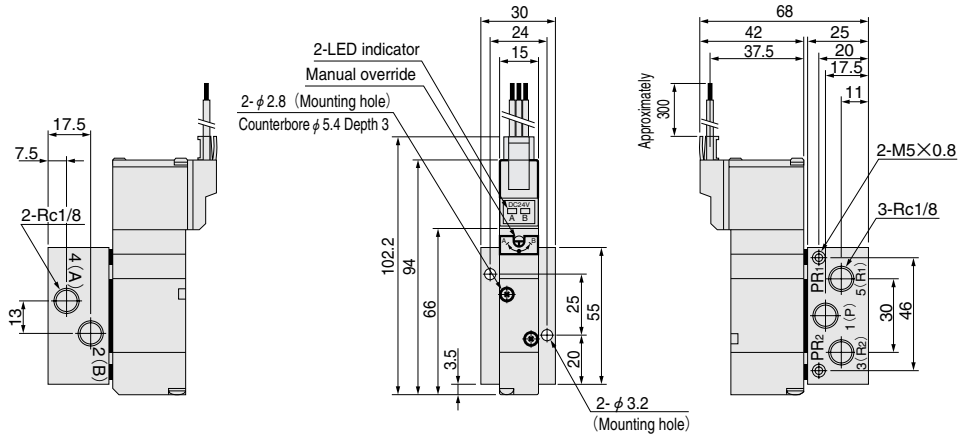
● Locking protruding type: -83

● Locking manual lever type: -84

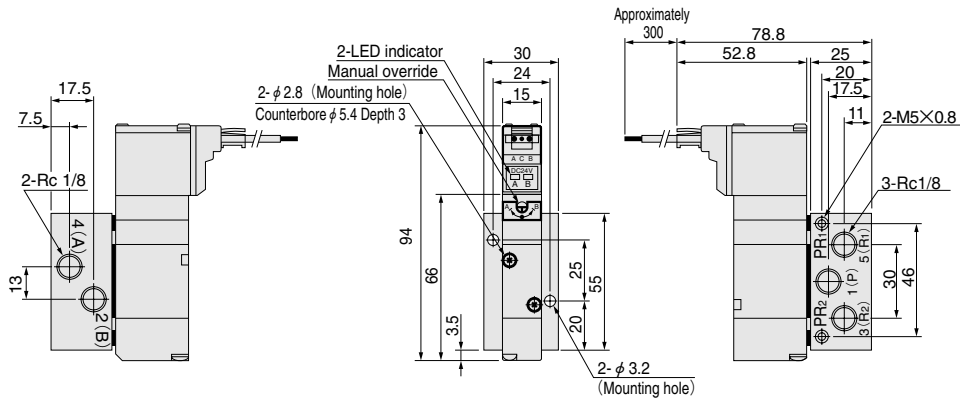


**Dimensions of Tandem Solenoid Valve 5-port , 3-position (mm)**

**A113-4ME2-25-PSL**



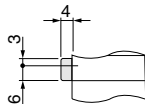
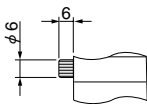
**A113-4ME2-25-PLL**



**Options**

● Locking protruding type : -83

● Locking manual lever type : -84



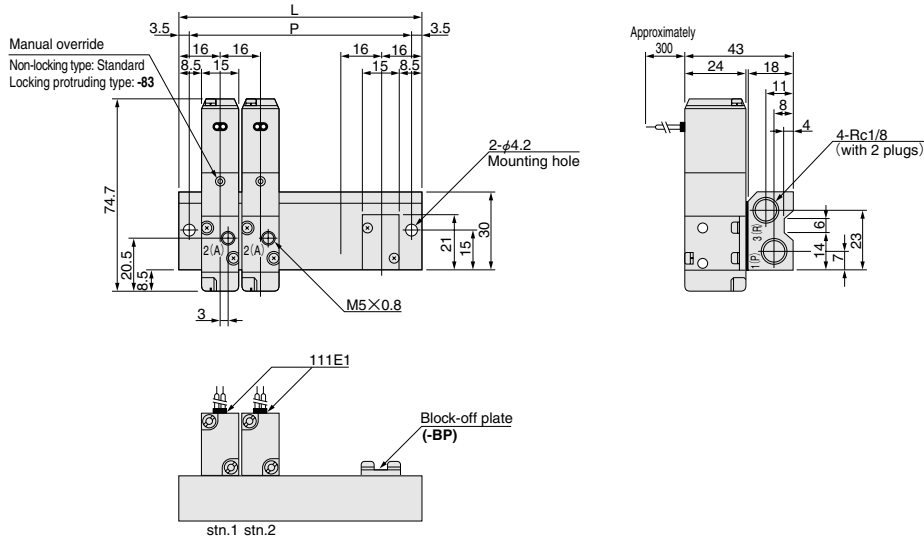
# Dimensions of Manifold for 2-, 3-port Valves (mm)

111M□F



## Unit dimensions

Model	L	P
111M2F	48	41
3F	64	57
4F	80	73
5F	96	89
6F	112	105
7F	128	121
8F	144	137
9F	160	153
10F	176	169
11F	192	185
12F	208	201
13F	224	217
14F	240	233
15F	256	249
16F	272	265
17F	288	281
18F	304	297
19F	320	313
20F	336	329

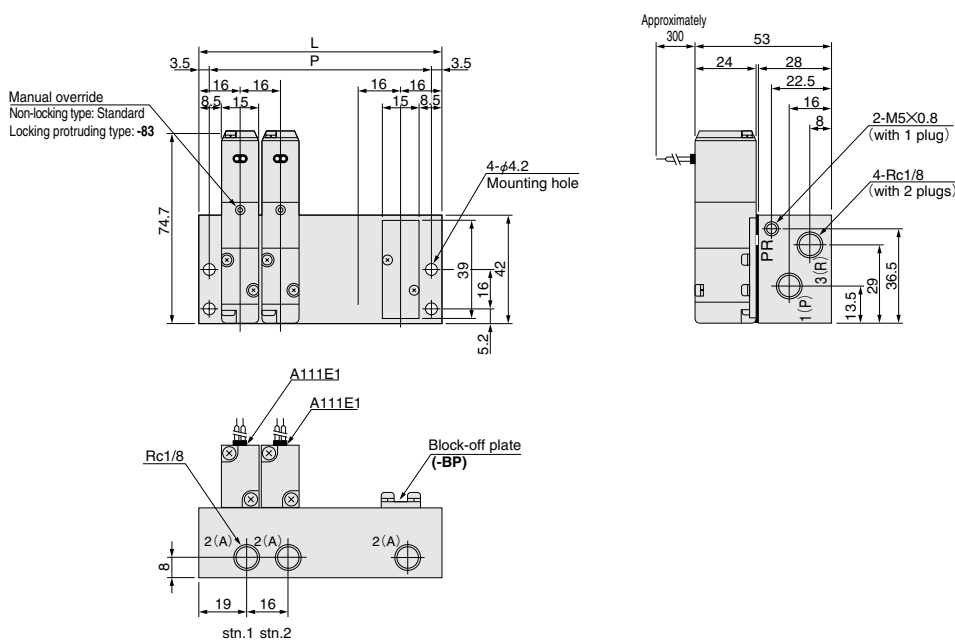


111M□A

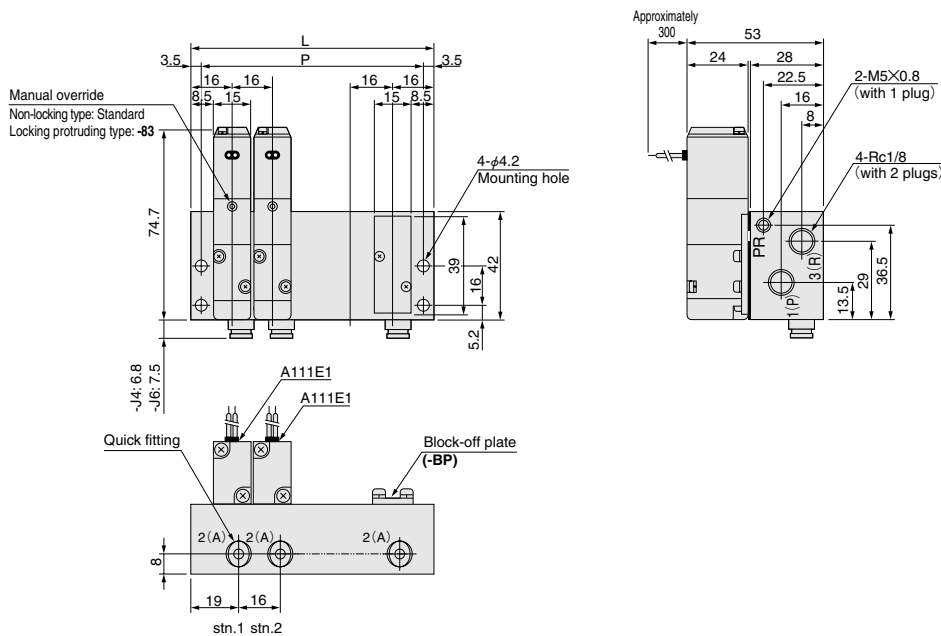


## Unit dimensions

Model	L	P
111M2A	48	41
3A	64	57
4A	80	73
5A	96	89
6A	112	105
7A	128	121
8A	144	137
9A	160	153
10A	176	169
11A	192	185
12A	208	201
13A	224	217
14A	240	233
15A	256	249
16A	272	265
17A	288	281
18A	304	297
19A	320	313
20A	336	329



# 111M □ AJ



## Unit dimensions

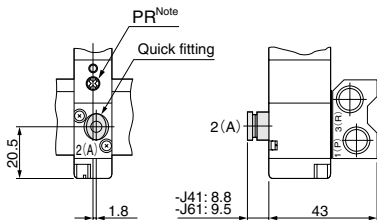
Model	L	P
111M2AJ	48	41
3AJ	64	57
4AJ	80	73
5AJ	96	89
6AJ	112	105
7AJ	128	121
8AJ	144	137
9AJ	160	153
10AJ	176	169
11AJ	192	185
12AJ	208	201
13AJ	224	217
14AJ	240	233
15AJ	256	249
16AJ	272	265
17AJ	288	281
18AJ	304	297
19AJ	320	313
20AJ	336	329

SOLENOID VALVES 110 SERIES

## Options

- With quick fitting (2-, 3-port):

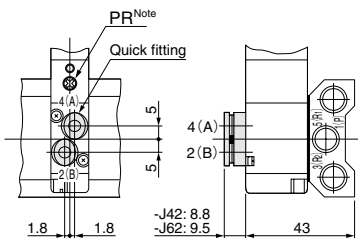
- J41 (For φ 4 tube, 2(A) or 4(A) port with fitting)
- J61 (For φ 6 tube, 2(A) or 4(A) port with fitting)



Note : PR is on the A port side.

- With quick fittings (5-port):

- J42 (For φ 4 tube, 4(A), 2(B) ports with fittings)
- J62 (For φ 6 tube, 4(A), 2(B) ports with fittings)



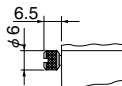
Note : PR is on the side with the 4(A), 2(B) ports.

Remark: Valves with quick fittings do not have 2-φ 3.2 side mounting holes. Moreover, the quick fittings are the following types:

**TSK4-M8M** (for φ 4 tube), **TSK6-M8M** (for φ 6 tube)

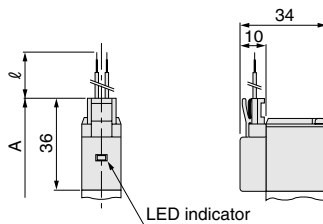
- Locking protruding type manual override: -83

110-ROCK



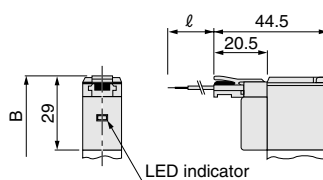
- Solenoid with straight connector: -PSL

110-PSL □



- Solenoid with L connector: -PLL

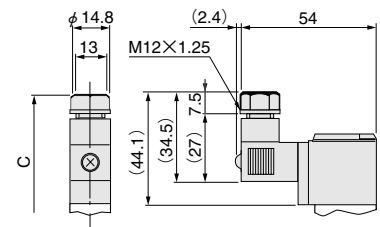
110-PLL □



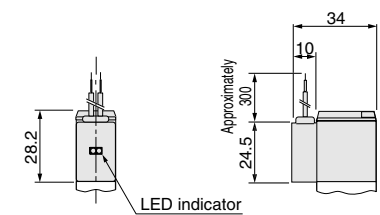
## Made to Order

110-PSL □

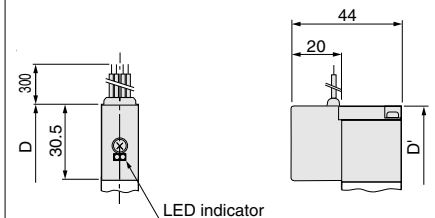
- Solenoid with DIN connector: -39



- Solenoid with LED indicator: -L



- Built-in interface unit: -FA



mm

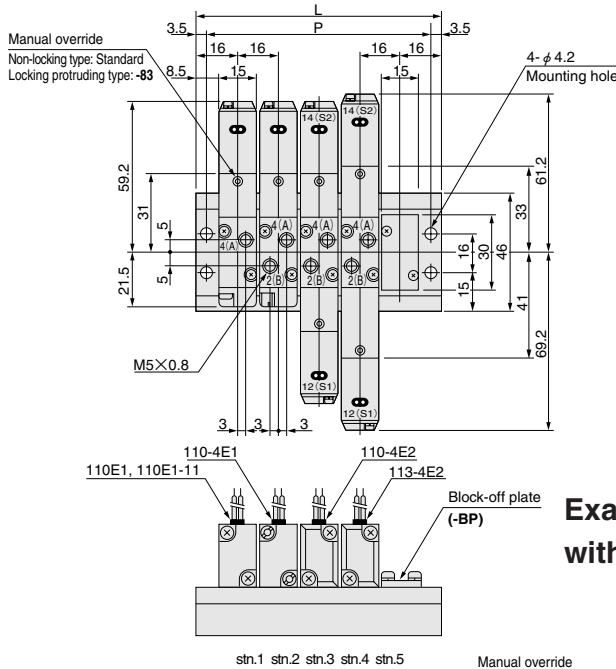
Model	Code	A	B	C	D	D'	ℓ (lead wire length)
111E1, A111E1		82.5	75.5	90.6	77	77.2	
110-4E1, 110-4KE2, 113-4KE2, A110-4E1		88.5	81.5	96.6	83	83.2	
110-4E2, A110-4E2		134	120	150.2	123	133.4	
113-4E2, A113-4E2		146	132	162.2	135	135.4	

-PSL, -PLL : 300  
Made to order -1L : 1000, -3L : 3000

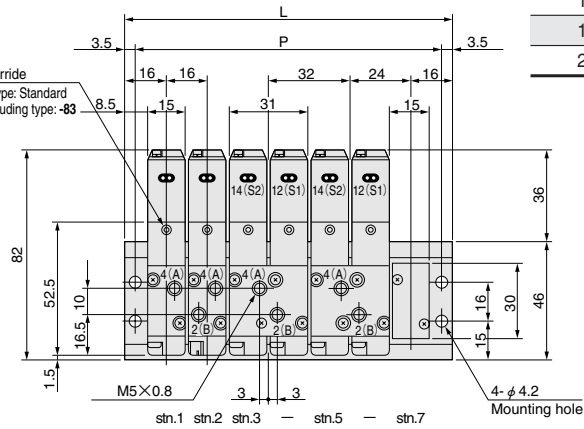
# Dimensions of Manifold for Combination Mounting of 2-, 3-, 5-port Valves (mm)

110M□F

CAD 110M-F



Example of combination mounting with twin solenoid valves

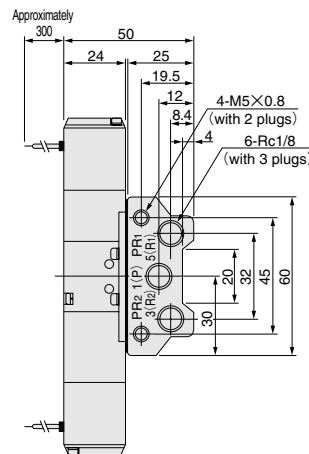
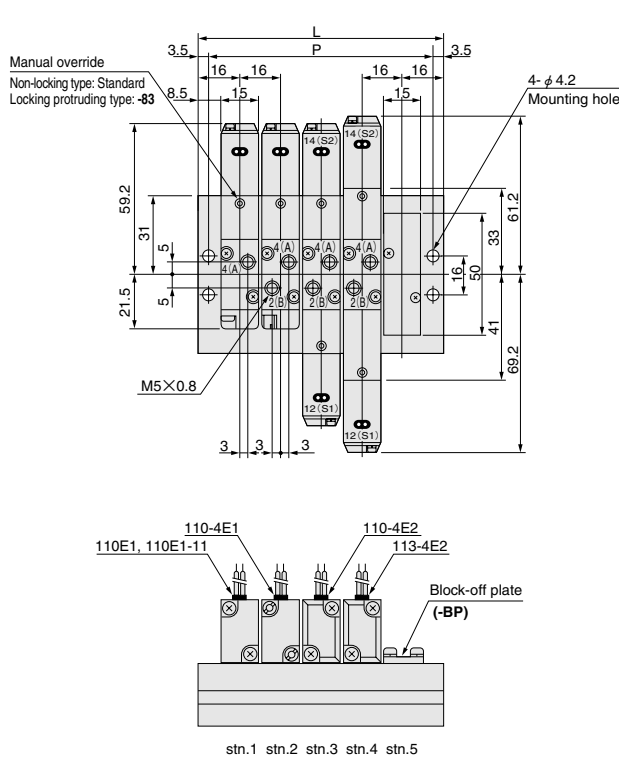


## Unit dimensions

Model	L	P
110M2F	48	41
3F	64	57
4F	80	73
5F	96	89
6F	112	105
7F	128	121
8F	144	137
9F	160	153
10F	176	169
11F	192	185
12F	208	201
13F	224	217
14F	240	233
15F	256	249
16F	272	265
17F	288	281
18F	304	297
19F	320	313
20F	336	329

110M□FE

CAD 110M-FE

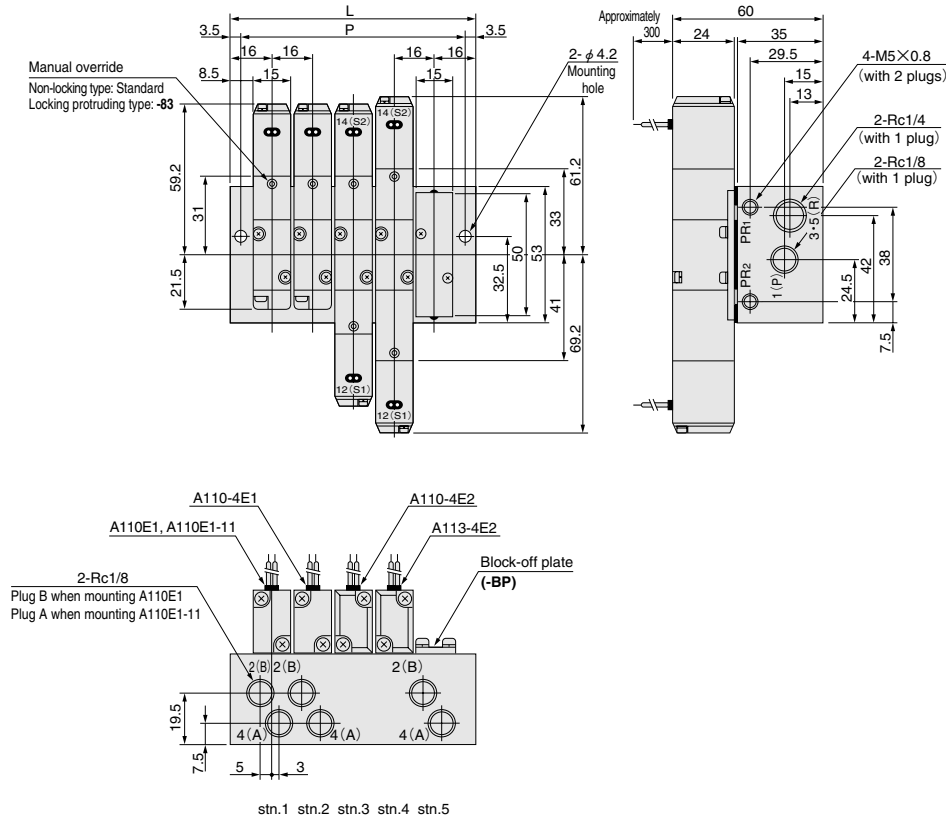


## Unit dimensions

Model	L	P
110M2FE	48	41
3FE	64	57
4FE	80	73
5FE	96	89
6FE	112	105
7FE	128	121
8FE	144	137
9FE	160	153
10FE	176	169
11FE	192	185
12FE	208	201
13FE	224	217
14FE	240	233
15FE	256	249
16FE	272	265
17FE	288	281
18FE	304	297
19FE	320	313
20FE	336	329

For options and made to order, see p.310.

# 110M□A

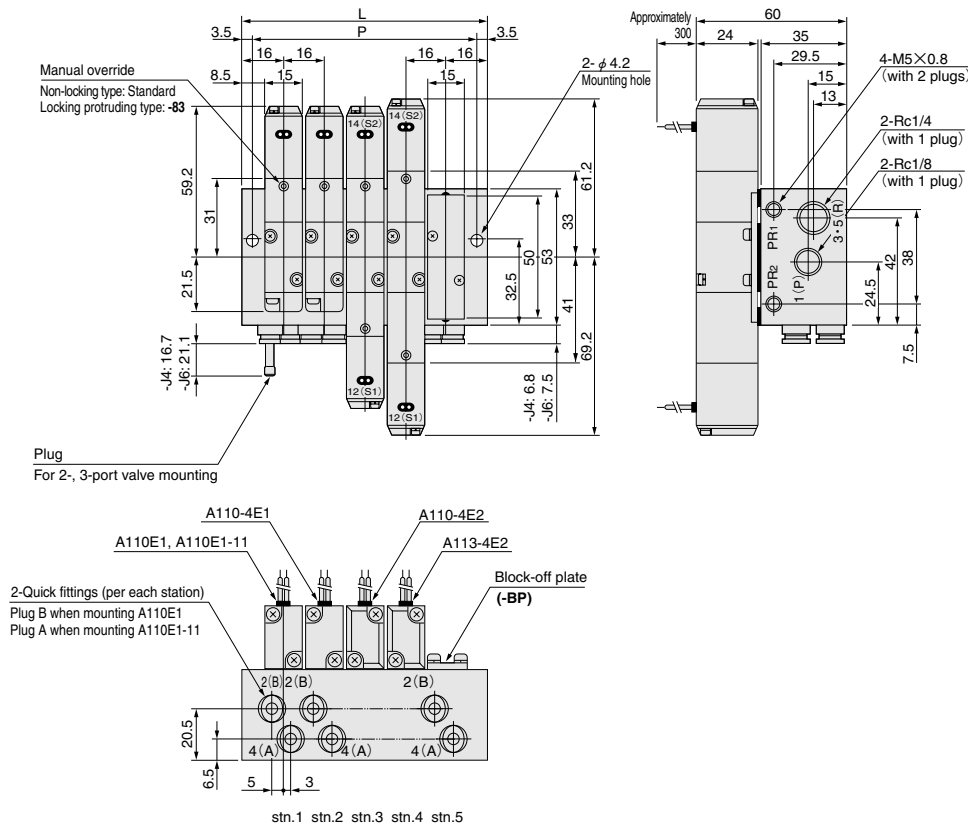


## Unit dimensions

Model	L	P
110M2A	48	41
3A	64	57
4A	80	73
5A	96	89
6A	112	105
7A	128	121
8A	144	137
9A	160	153
10A	176	169
11A	192	185
12A	208	201
13A	224	217
14A	240	233
15A	256	249
16A	272	265
17A	288	281
18A	304	297
19A	320	313
20A	336	329

SOLENOID VALVES 110 SERIES

# 110M□AJ



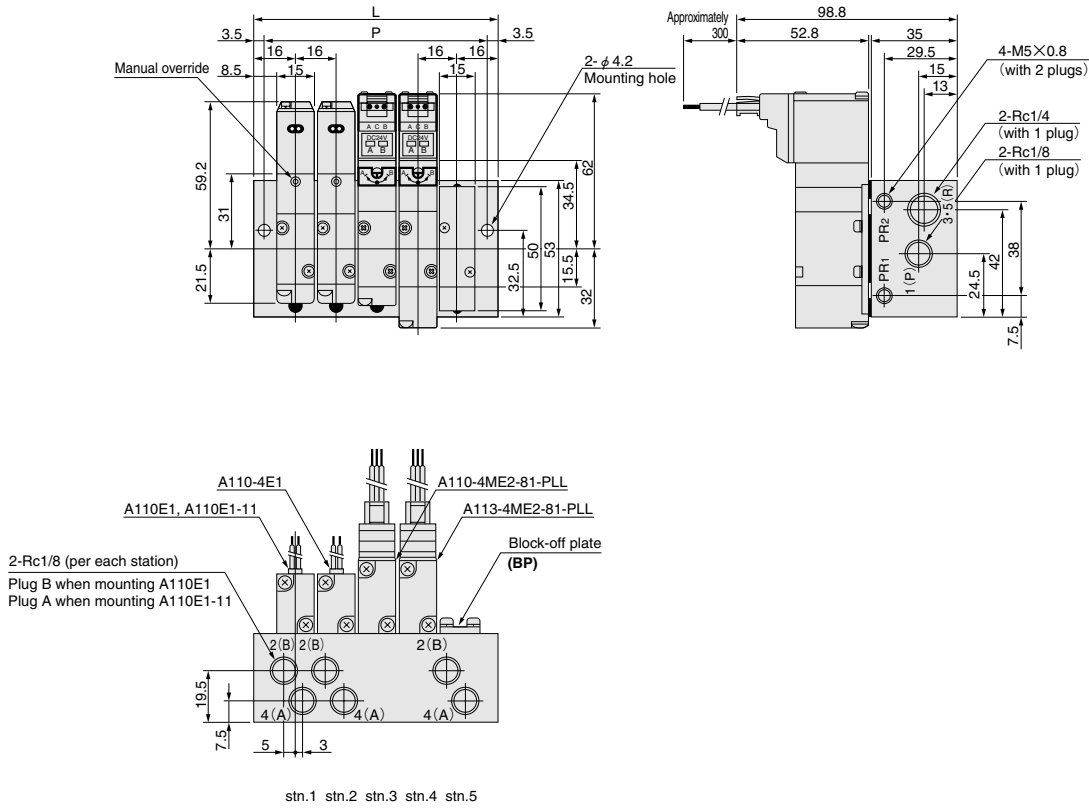
## Unit dimensions

Model	L	P
110M2AJ	48	41
3AJ	64	57
4AJ	80	73
5AJ	96	89
6AJ	112	105
7AJ	128	121
8AJ	144	137
9AJ	160	153
10AJ	176	169
11AJ	192	185
12AJ	208	201
13AJ	224	217
14AJ	240	233
15AJ	256	249
16AJ	272	265
17AJ	288	281
18AJ	304	297
19AJ	320	313
20AJ	336	329

For options and made to order, see p.310.

# Dimensions of Manifold for Combination Mounting of Tandem Solenoid and 2-, 3-, 5-port Valves (mm)

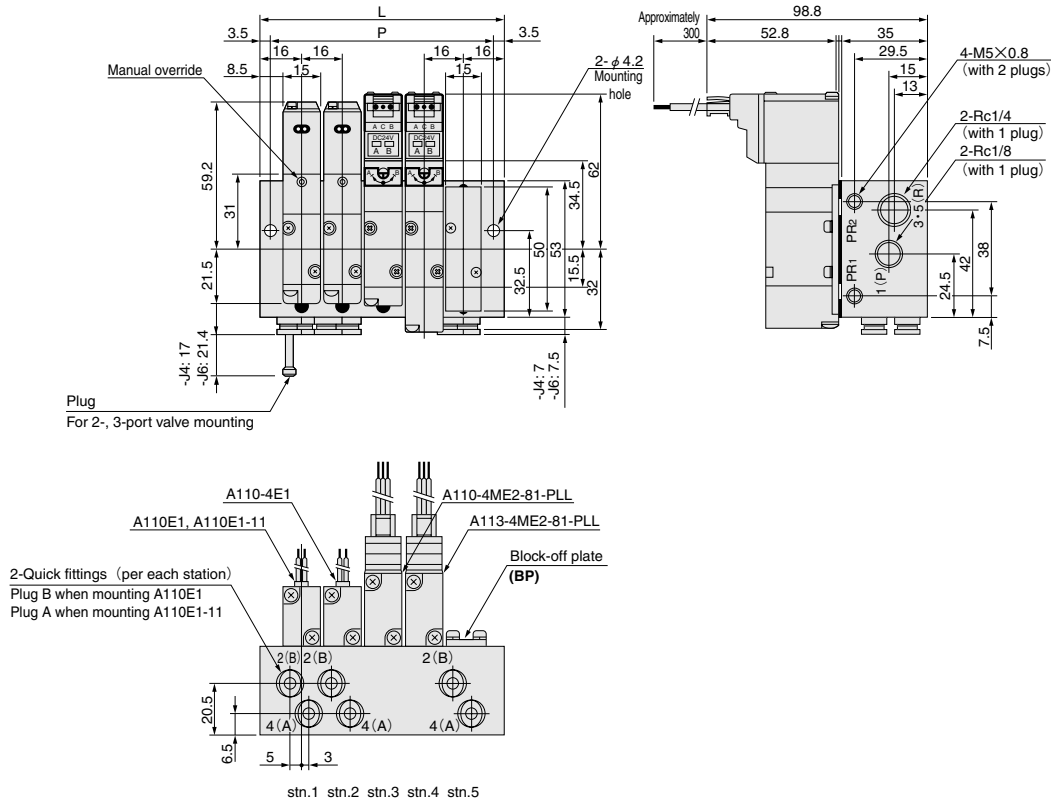
## 110M□A



### Unit dimensions

Model	L	P
110M2A	48	41
3A	64	57
4A	80	73
5A	96	89
6A	112	105
7A	128	121
8A	144	137
9A	160	153
10A	176	169
11A	192	185
12A	208	201
13A	224	217
14A	240	233
15A	256	249
16A	272	265
17A	288	281
18A	304	297
19A	320	313
20A	336	329

## 110M□AJ



### Unit dimensions

Model	L	P
110M2AJ	48	41
3AJ	64	57
4AJ	80	73
5AJ	96	89
6AJ	112	105
7AJ	128	121
8AJ	144	137
9AJ	160	153
10AJ	176	169
11AJ	192	185
12AJ	208	201
13AJ	224	217
14AJ	240	233
15AJ	256	249
16AJ	272	265
17AJ	288	281
18AJ	304	297
19AJ	320	313
20AJ	336	329





## Made to Order

The 110 series Solenoid Valves include a variety of made to order solenoids for application in a wider range of control and wiring types.

### Plug connector

Straight connector with LED indicator



- Without lead wire
- Connector and contacts included

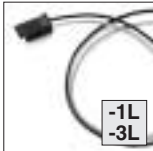
L connector with LED indicator



- Without lead wire
- Connector and contacts included

- When ordering, enter **-PSLN** or **-PSLL** in place of the normal option code for the wiring type.

Lead wire length



- For plug connector
- Length mm [in.]
- 1L : 1000 [39]
- 3L : 3000 [118]

- For lead wire length, **-1L** is 1000mm [39in.] and **-3L** is 3000mm [118in.].

When ordering, enter **-1L** or **-3L** following the wiring type option code.

### DIN connector



A compact connector that is highly resistant to dust and water splashes.

Employs a self-stripping method that eliminates the need for de-sheathing the lead wire.

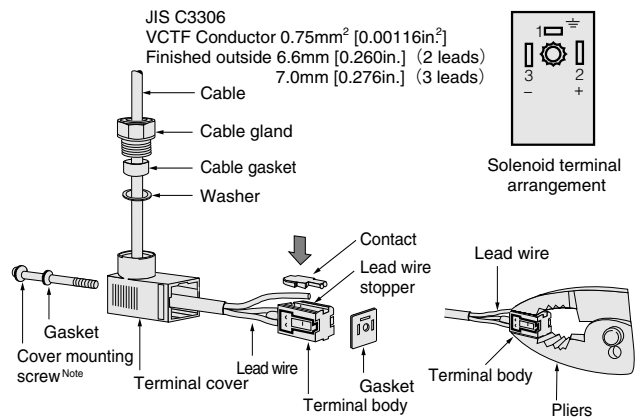
- When ordering, enter **-39** in place of the normal option code for the wiring type.
- A varistor for surge suppression is also equipped. (For the AC100V and AC200V only. For DC12V and DC24V, a flywheel diode for surge suppression is installed as standard equipment.)
- LED indicator is not available.

### Wiring instructions

#### ● Solenoid with DIN connector

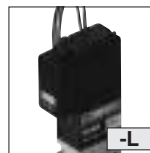
When de-sheathing (only the outer sheath of the cable), pay attention to the lead wire direction. The cover will be easily mounted when the lead wire on the outer side of the terminal cover is set about 8mm [0.31in.] longer than the inner side.

Without stripping off the sheath, insert the lead until it contacts the lead wire stopper on the terminal body, and then place the contact from the upper side. Then use pliers to press the lead wire further to ensure that the contact is firmly touching the core wire.



Note: The appropriate tightening torque for the cover mounting screw is 29.4N·cm {3kgf·cm} [2.6in·lbf].

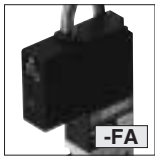
### LED indicator



The LED indicator for confirmation of operation is also available without a plug connector. This creates a clean monoblock look with a compact cover.

- When ordering, enter **-L** in place of the normal option code for the wiring type.
- A varistor for surge suppression is also equipped. (For the AC100V and AC200V only. For the DC12V and DC24V, a flywheel diode for surge suppression is installed as standard equipment.)

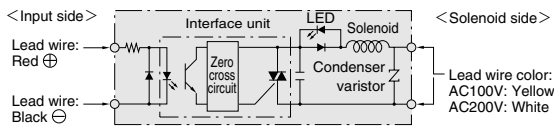
## Built-in interface unit



Includes an interface unit with a photo transistor. Can be directly controlled by a microcomputer and logic chip, and is equipped with full electric noise countermeasures and LED indicators.

- When ordering, enter **-FA** in place of the normal option code for the wiring type.
- Cannot be ordered in combination with any other solenoid option.
- Rated voltages for the solenoid are AC100V and AC200V only.

## Block diagram



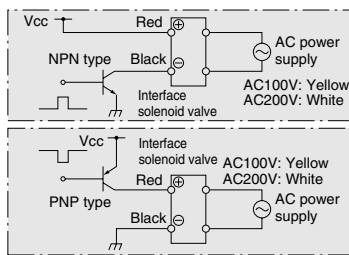
The interface unit is a triac with a photo coupler. Applying DC5V to the input terminals when AC power is applied on the solenoid side causes the LED inside the unit to light up, turns on the triac, and energizes the solenoid. At this time, an LED indicator turns on.

When the input side voltage reaches 0V, the LED inside the unit shuts off, the triac is turned off, and the solenoid is de-energized. At this time, the LED indicator is turned off.

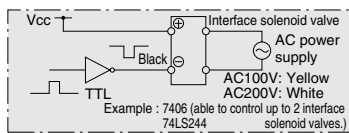
With a built-in zero-cross circuit, the zero-cross voltage is used to turn the power on, and the zero-cross current to turn it off.

## Example of control circuits

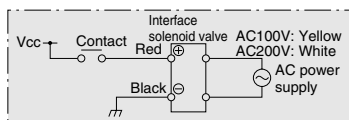
### 1. Control by transistor



### 2. Control by TTL, IC

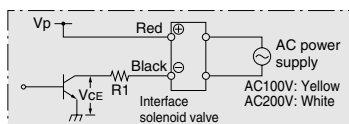


### 3. Control by relay contact



### 4. When input is not a DC5V power supply

Install resistance externally to drop the input voltage to 4~6V.



$$R1 = \frac{Vp - 5 - V_{CE}}{18 \times 10^{-3}} [\Omega]$$

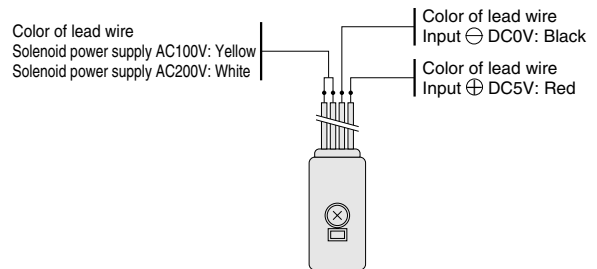
Example	Vp [V]	R1
	12	390 Ω 1/4W
	24	1.0K Ω 1W

In the case of V<sub>CE</sub> = 0 [V]

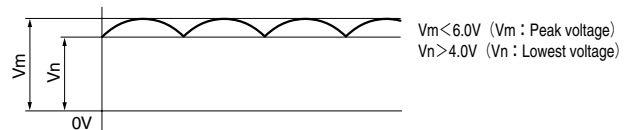
## Solenoid Specifications for Valve with Built-in Interface Unit

Item		Specifications				
Input side	Rated voltage	DC V	5			
	Voltage range	DC V	4~6			
	Current (when 5V DC is applied)	mA	18			
	Operating voltage	DC V	4 or below			
	Return voltage	DC V	0.8 or over			
	Color of lead wire		Red (+), Black (-)			
Solenoid side	Rated voltage	AC V	100	200		
	Type		Shading type			
	Operating voltage range	AC V	90~125 (100 $\pm$ 25%)		180~250 (200 $\pm$ 25%)	
	Current (when rated voltage is applied)	Frequency Hz	50	60	50	60
		Starting mA(r.m.s)	36	32	18	16
	Leakage current	Frequency Hz	50	60	50	60
		Current mA(r.m.s)	0.3	0.4	0.6	0.8
	Surge suppression (as standard)		Built-in varistor on solenoid side			
	Color of lead wire		Yellow		White	
	Color of LED indicator (as standard)		Yellow		Green	
Voltage resistance		Min. AC1500V at input side and solenoid side				
Insulation resistance	MΩ	Between input side and solenoid side, and between whole terminals and body		Over 100		
Zero-cross function		Available				
Wiring type and lead wire length		Grommet type: 300mm [11.8in.]				

## Wiring instructions



1. Separate the input side and solenoid side lead wires by color. Never apply AC power/6VDC or more to the input side.
2. Ensure that voltage ripple on the input side remains within the range shown below.



3. Even when a wrong polarity is applied to the input side, a built-in diode for protection against reverse polarity eliminates any worry about short circuiting. The valve will not operate, however.
4. A varistor and condenser are built-in in the solenoid power supply side, for protection circuit against external surge voltages. As a result, there is a 0.3mA leakage current in AC100V, and a 0.6mA leakage current in AC200V.
5. The operation and return times of the interface unit are 10ms or less with a 50Hz AC power supply, and 8ms or less with a 60Hz AC power supply.

## Made to Order

### Air-piloted valves 110 series

- The ideal air valve for master valves or pilot valves for total pneumatic control.



## Effective Area

mm<sup>2</sup> (Cv)

Specifications	Basic model	For direct piping, F type manifold	For sub-base, A, AJ type manifolds
		<b>110-4A, 110-4A2</b>	<b>A110-4A, A110-4A2</b>
Single valve		4.2 [0.23]	4.0 [0.22]
Built-in quick fitting for $\phi$ 4 tube	-J42 4(A), 2(B) ports with fittings	3.6 [0.20]	3.6 [0.20] (When mounted on the AJ type manifold with -J4 specification)
	-J43 1(P), 4(A), 2(B) ports with fittings		—
Built-in quick fitting for $\phi$ 6 tube	-J62 4(A), 2(B) ports with fittings	—	4.0 [0.22] (When mounted on the AJ type manifold with -J4 specification)
	-J63 1(P), 4(A), 2(B) ports with fittings	—	—
Remarks		<ul style="list-style-type: none"> <li>● Attaching TS4-M5 to the 1(P), 4(A), 2(B) ports gives the value 1.8 [0.1].</li> <li>● On the F type manifold, attaching TS4-M5 to the 4(A), 2(B) ports gives the value 2.1 [0.12].</li> <li>● When large flow rates are required, we recommend the built-in quick fittings.</li> </ul>	<ul style="list-style-type: none"> <li>● Attaching TS4-01 to the 1(P), 4(A), 2(B) ports on the sub-base (-25) gives the value 3.2 [0.18].</li> </ul>

## Specifications

Item	Basic model	For direct piping, F type manifold		For sub-base, A, AJ type manifolds	
		Single pilot	Double pilot	Single pilot	Double pilot
Media		Air			
Operation type		Air-piloted type			
Number of positions and ports		2 positions, 5 ports			
Effective area (Cv) mm <sup>2</sup>		4.2 [0.23] Note 1			
Port size	Main	M5×0.8 Note 2		— Note 2	
	Pilot	M5×0.8			
Lubrication		Not required			
Operating pressure range MPa (kgf/cm <sup>2</sup> ) [psi.]	Main	0.15~0.7 {1.5~7.1} [22~102]	0~0.7 {0~7.1} [0~102]	0.15~0.7 {1.5~7.1} [22~102]	0~0.7 {0~7.1} [0~102]
	Pilot	See the table "Minimum Pilot Pressure"			
Proof pressure MPa (kgf/cm <sup>2</sup> ) [psi.]		1.05 {10.7} [152]			
Operating temperature range (atmosphere and media) °C [°F]		5~60 [41~140]			
Shock resistance m/s <sup>2</sup> (G)		1373.0 {140.0} (Axial direction 294.2 {30.0})			
Mounting direction		Any			
Maximum operating frequency Hz		5			
Mass g [oz.]		40 [1.41]	45 [1.59]	45 [1.59] (140 [4.94]) Note 3	50 [1.76] (145 [5.11]) Note 3

- Notes: 1. For details, see the effective area.  
 2. For details, see the port size.  
 3. Figures in parentheses ( ) are the mass with sub-plate: -25.  
 ※ For optional specifications and order codes, see p.301 ~ 302.

## Port Size

Specifications	Basic model	Port	For direct piping, F type manifold	For sub-base, A, AJ type manifolds	Remarks	
			<b>110-4A, 110-4A2</b>	<b>A110-4A, A110-4A2</b>		
Female thread		1 (P)	M5×0.8	—	Standard	
		4(A), 2(B)				
		3(R2), 5(R1)				
Built-in quick fitting	-J42	1 (P)	M5×0.8	—	<ul style="list-style-type: none"> <li>● Straight type</li> <li>● For <math>\phi</math> 4 tube</li> <li>● For both nylon tubes and urethane tubes</li> </ul>	
		4(A), 2(B)	Built-in quick fitting			
	-J43	1 (P)	Built-in quick fitting			
		4(A), 2(B)	M5×0.8			
Sub-base -25		1 (P)	—	Rc1/8	● All ports sub-base piping	
		4(A), 2(B)				
		3(R2), 5(R1)				
F type manifold		1 (P)	Rc1/8	—	● 1(P), 3(R2), 5(R1) manifold, 4(A), 2(B) valve piping	
		4(A), 2(B)	M5×0.8 or quick fitting			
		3(R2), 5(R1)	Rc1/8			
A type manifold		1 (P)	—	Rc1/8	● All ports manifold piping	
		4(A), 2(B)				
		3, 5(R)				Rc1/4
AJ type manifold		1 (P)	—	Rc1/4	<ul style="list-style-type: none"> <li>● All ports manifold piping</li> <li>● 4(A), 2(B) ports</li> <li>● -J4 : For <math>\phi</math> 4 tube</li> <li>● -J6 : For <math>\phi</math> 6 tube</li> </ul>	
	4(A), 2(B)	-J4				Quick fitting for $\phi$ 4 tube
		-J6				Quick fitting for $\phi$ 6 tube
		3, 5(R)				Rc1/4

## Manifold Specifications and Port Size

Manifold model	Specifications	Port	Port size	
F type	P, R manifold piping A, B valve piping	1 (P)	Rc1/8	
		4 (A), 2 (B)	M5×0.8 or quick fitting (Valve order code: -J42)	
		3 (R2), 5 (R1)	Rc1/8	
A type	All ports manifold piping	1 (P)	Rc1/8	
		4 (A), 2 (B)	Rc1/8	
		3, 5 (R)	Rc1/4	
AJ type	A, B ports built-in quick fittings All ports manifold piping	1 (P)	Rc1/8	
		4 (A), 2 (B)	-J4	Quick fitting for $\phi$ 4 tube
			-J6	Quick fitting for $\phi$ 6 tube
		3, 5 (R)	Rc1/4	

- ※ For optional specifications and order codes, see p.302.

## Manifold Mass

g [oz.]

Manifold model	Mass calculation of each unit (n=number of units)	Mounting valve			
		110-4A	110-4A2	A110-4A	A110-4A2
F type	(20×n)+30 [(0.71×n)+1.06]	40 [1.41]	45 [1.59]	—	—
A type	(60×n)+60 [(2.12×n)+2.12]	—	—	45 [1.59]	50 [1.76]
AJ type	-J4 (67×n)+60 [(2.36×n)+2.12]	—	—	45 [1.59]	50 [1.76]
	-J6 (64×n)+60 [(2.26×n)+2.12]	—	—	45 [1.59]	50 [1.76]

Calculation example: The mass of 110M 10F stn.1~5 110-4A, stn.6~10 110-4A2 becomes (20×10)+30+(40×5)+(45×5)=655g [23.10 oz.]

## Minimum Pilot Pressure

MPa (kgf/cm<sup>2</sup>) [psi.]

Model	Main pressure			
	0.15 {1.5} [22]	0.3 {3.0} [44]	0.5 {5.1} [73]	0.7 {7.1} [102]
<b>110-4A</b>	0.15 {1.5} [22]	0.25 {2.5} [36]	0.34 {3.5} [49]	0.45 {4.5} [65]
<b>110-4A2</b>	0.08 {0.8} [12]	0.10 {1.0} [15]	0.12 {1.2} [17]	0.14 {1.4} [20]

## Required Time for Switching

S

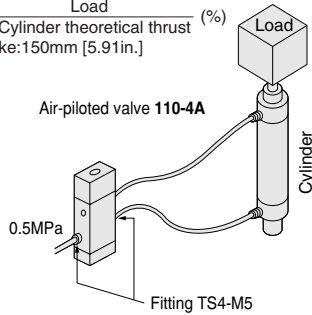
Model	Operation	Pilot line length L m [ft.]						Measurement circuit	Measurement conditions
		2 [6.6]	6 [19.7]	10 [32.8]	20 [65.6]	50 [163.9]	100 [327.8]		
110-4A	ON	0.06	0.14	0.26	0.63	2.30	6.54		<ul style="list-style-type: none"> <li>● Pilot valve=050-4E1 (effective area 1.2mm<sup>2</sup> [Cv: 0.067])</li> <li>● Tube inner diameter = 4mm [0.16in.]</li> <li>● Air pressure (both main and pilot)=0.5MPa [73psi.]</li> </ul>
	OFF	0.12	0.33	0.67	1.65	6.30	19.50		
A110-4A2	ON	0.07	0.16	0.29	0.70	2.66	7.40		
	OFF	0.07	0.16	0.29	0.70	2.66	7.40		

# Cylinder Operating Speed and Flow Rate

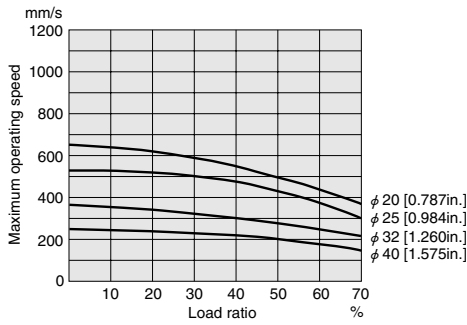
## 110-4A

### ● Measurement conditions

- Air pressure : 0.5MPa {5.1kgf/cm<sup>2</sup>} [73psi.]
- Piping inner diameter and length : φ 2.5 [0.10in.]×1000mm [39in.]
- Fitting : Quick fitting TS4-M5
- Load ratio =  $\frac{\text{Load}}{\text{Cylinder theoretical thrust}}$  (%)
- Cylinder stroke:150mm [5.91in.]



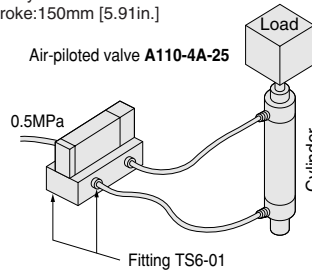
### Maximum operating speed



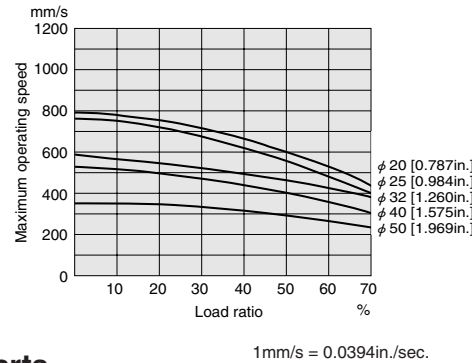
## A110-4A-25

### ● Measurement conditions

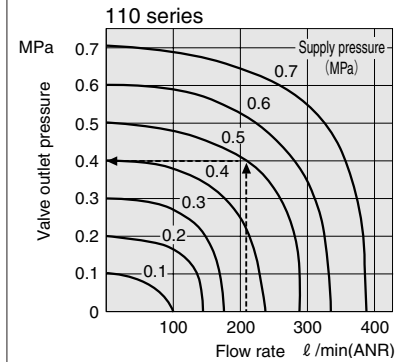
- Air pressure : 0.5MPa {5.1kgf/cm<sup>2</sup>} [73psi.]
- Piping inner diameter and length : φ 4 [0.16in.]×1000mm [39in.]
- Fitting : Quick fitting TS6-01
- Load ratio =  $\frac{\text{Load}}{\text{Cylinder theoretical thrust}}$  (%)
- Cylinder stroke:150mm [5.91in.]



### Maximum operating speed



### Flow rate



1MPa = 145psi., 1 l /min = 0.0353 ft<sup>3</sup>/min.

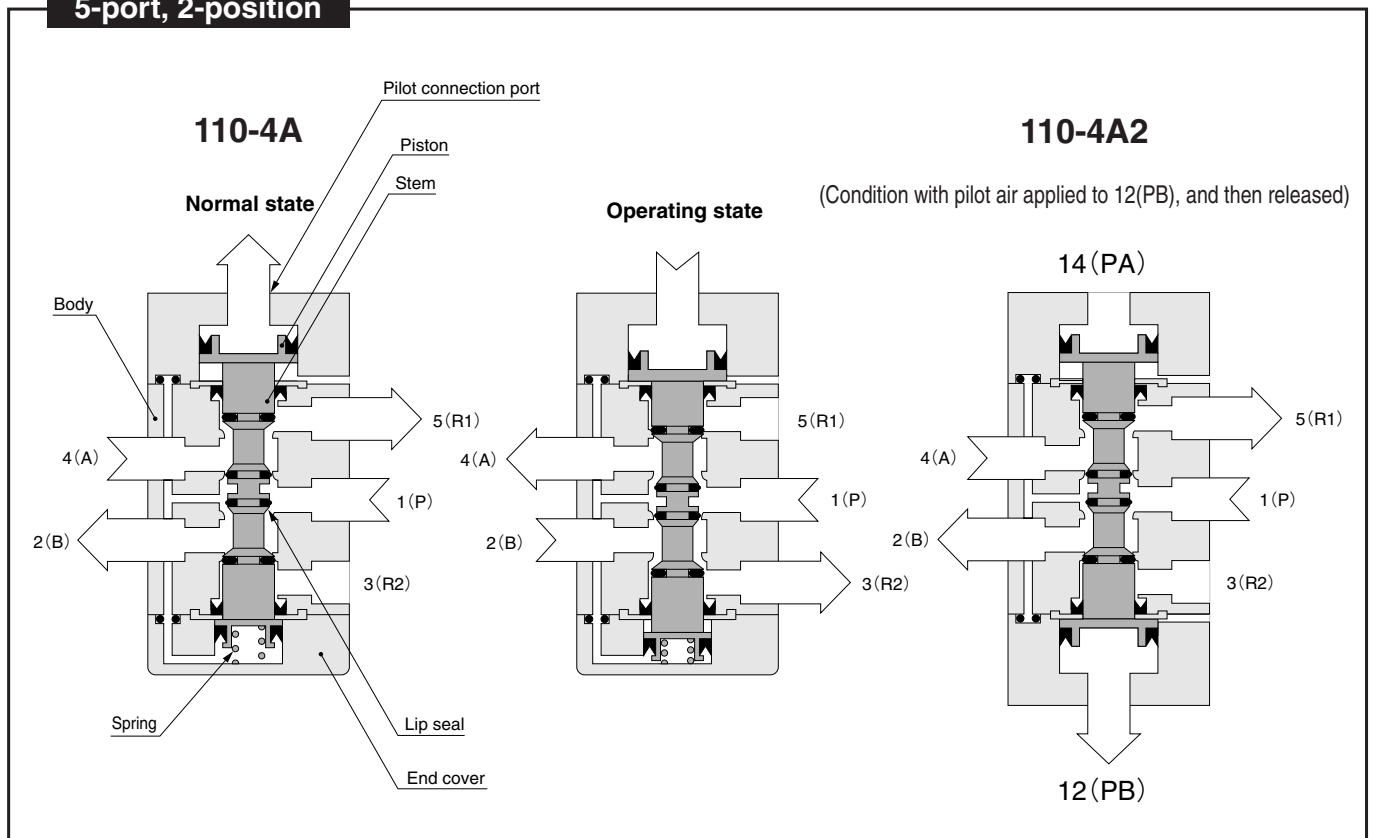
### How to read the graph

When the supply pressure is 0.5MPa [73psi.] and the flow rate is 210 l /min [7.41ft<sup>3</sup>/min.] (ANR), the valve outlet pressure becomes 0.4 MPa [58psi.].

SOLENOID VALVES 110 SERIES

## Operating Principles and Major Parts

### 5-port, 2-position

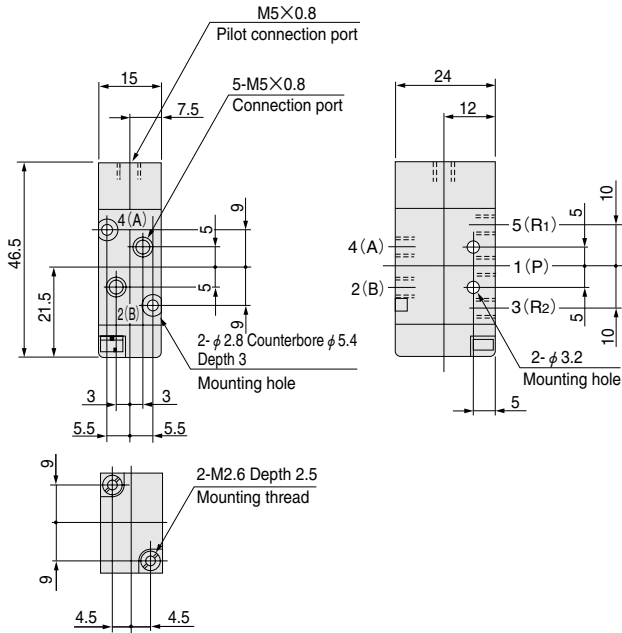


## Major Parts and Materials

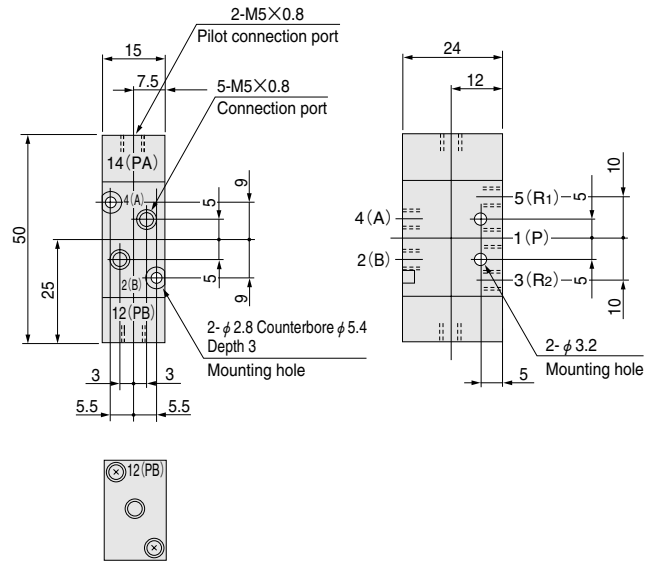
Parts	Materials
Body	Aluminum alloy
Stem	(anodized)
Lip seal	Synthetic rubber
Mounting base	Mild steel (zinc plated)
Sub-base	Aluminum alloy (anodized)

# Dimensions of Air-piloted 5-port, 2-position Valve (mm)

## 110-4A

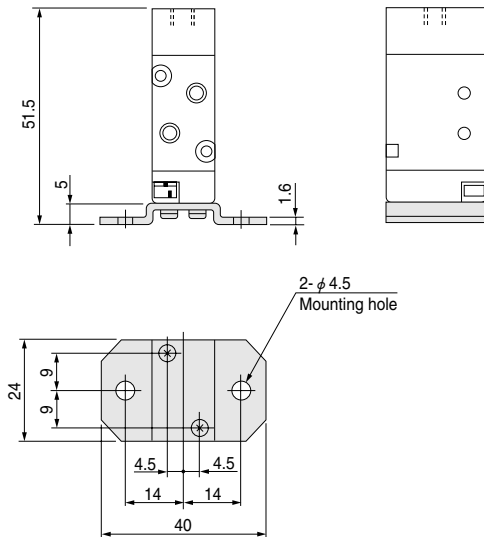


## 110-4A2

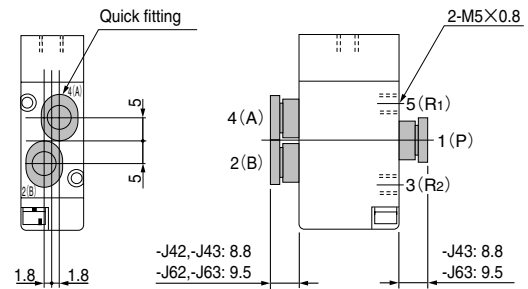


## Options

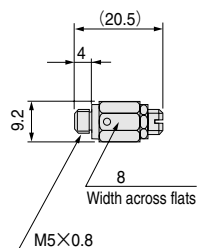
● Mounting base : -21



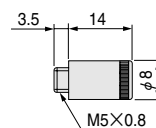
● With quick fittings: -J42 (For φ4 tube, 4(A), 2(B) ports with fittings)  
 -J43 (For φ4 tube, 1(P), 4(A), 2(B) ports with fittings)  
 -J62 (For φ6 tube, 4(A), 2(B) ports with fittings)  
 -J63 (For φ6 tube, 1(P), 4(A), 2(B) ports with fittings)  
 The drawing shows the -J43 specification.



● Speed controller : -70

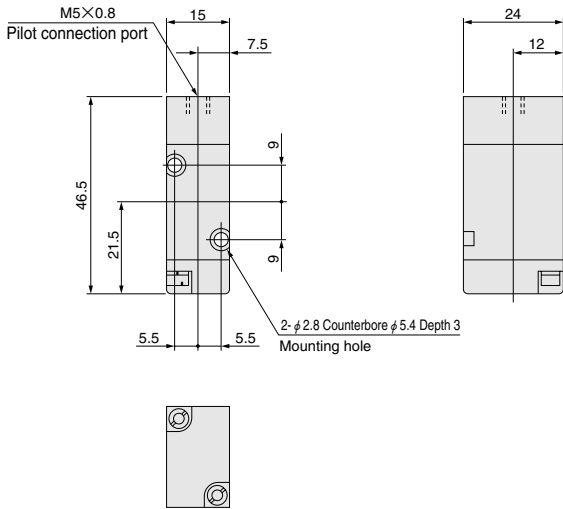


● Muffler : -75

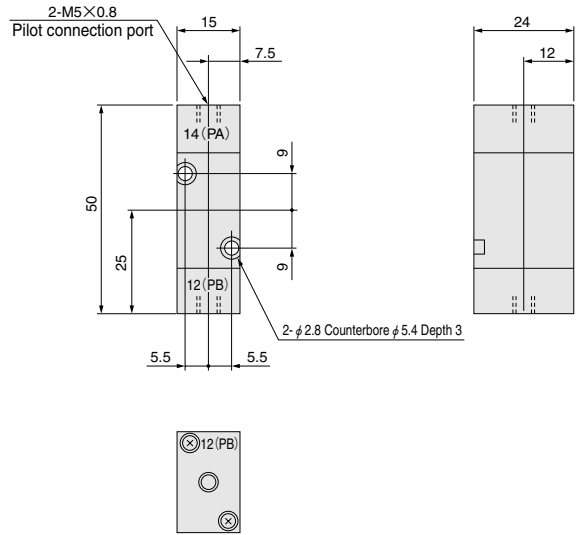


# Dimensions of Air-piloted 5-port, 2-position Valve (mm)

## A110-4A

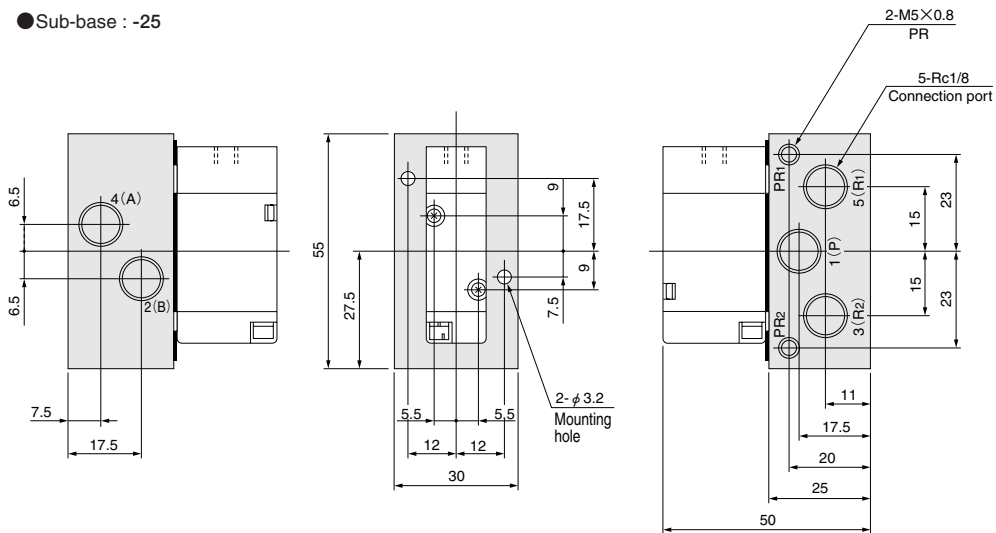


## A110-4A2

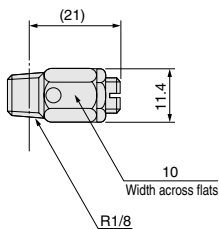


## Options

### ● Sub-base : -25



### ● Speed controller : -70



# Handling Instructions and Precautions

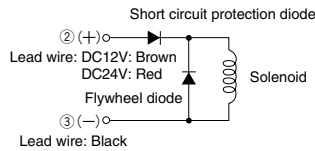


## Solenoid

### Internal circuit

#### ●DC12V, DC24V

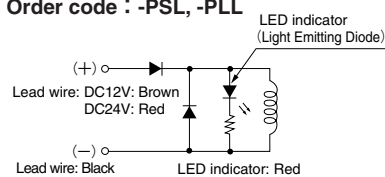
#### Standard solenoid (Surge suppression)



② and ③ are for with DIN connector (Order code : -39).

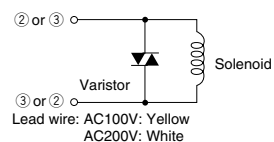
#### Solenoid with LED indicator (Surge suppression)

Order code : -PSL, -PLL



#### ●AC100V, AC200V

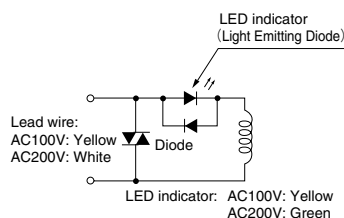
#### Standard solenoid (Surge suppression)



② and ③ are for with DIN connector (Order code : -39).

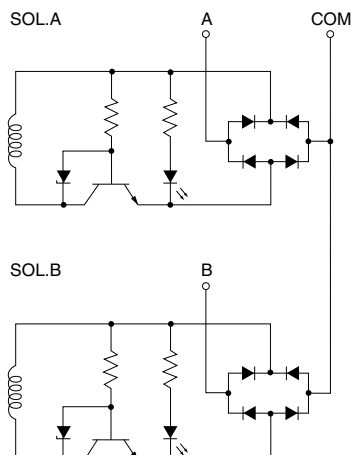
#### Solenoid with LED indicator (Surge suppression)

Order code : -PSL, -PLL



#### ●DC24V

#### Tandem solenoid



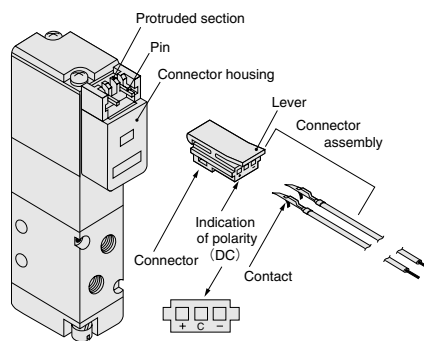
- Cautions:**
1. Do not apply megger between the lead wires.
  2. The DC solenoid will not short circuit even if the wrong polarity is applied, but the valve will not operate.
  3. Leakage current inside the circuit could result in failure of the solenoid valve to return, or in other erratic operation. Always use it within the range of the allowable leakage current. If circuit conditions, etc. cause the leakage current to exceed the allowable leakage current, consult us.
  4. For double solenoid and twin solenoid, avoid energizing both solenoids simultaneously. The valve could fall into a neutral position.



## Plug connector

### Attaching and removing plug connector

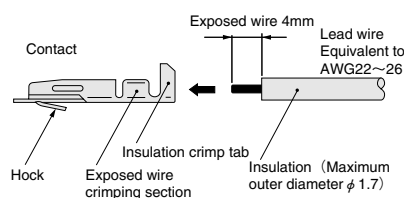
Use fingers to insert the connector into the pin, push it in until the lever claw latches onto the protruded section of the connector housing, and complete the connection. To remove the connector, squeeze the lever along with the connector, lift the lever claw up from the protruded section of the connector housing, and pull it out.



※ Illustration shows the 110 series.

### Crimping of connecting lead wire and contact

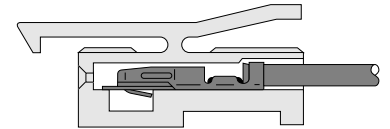
To crimp lead wires into contacts, strip off 4mm [0.16in.] of the insulation from the end of the lead wire, insert it into the contact, and crimp it. Be sure to avoid catching the insulation on the exposed wire crimping section.



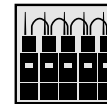
- Cautions:**
1. Do not pull hard on the lead wire.
  2. Always use a dedicated tool for crimping of connecting lead wire and contact.  
Contact: Model 702062-2M  
Manufactured by Sumiko Tech, Inc.  
Crimping tool: Model F1-702062  
Manufactured by Sumiko Tech, Inc.

### Attaching and removing contact and connector

Insert the contact with a lead wire into a plug connector hole until the contact hook latches on the connector and is secured to the plug connector. Confirm that the lead wire cannot be easily pulled out. To remove it, insert a tool with a fine tip (such as a small screwdriver) into the rectangular hole on the side of the plug connector to push up on the hook, and then pull out the lead wire.



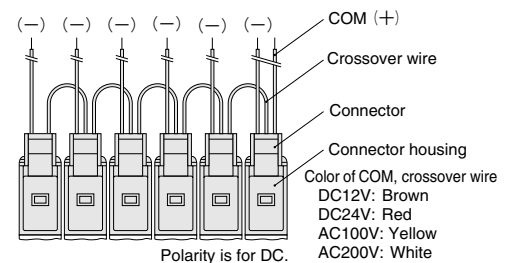
- Cautions:**
1. Do not pull hard on the lead wire. It could result in defective contacts, breaking wires, etc.
  2. If the pin is bent, use a small screwdriver, etc. to gently straighten out the pin, and then complete the connection to the plug connector.



## Common terminal pre-wired plug connector

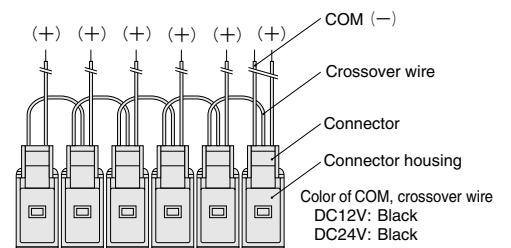
### 1. Pre-wired common terminal at DC positive side or AC.

Order code With straight connector: -CPSL  
With L connector: -CPLL



### 2. Pre-wired common terminal at DC negative side

Order code With straight connector: -CMSL  
With L connector: -CMLL



- Cautions:**
1. The diagrams show the straight connector configuration. While the connector's orientation is different in the case of the L connector, in every case the first COM lead wire comes from the last station's mounted valve.
  2. Since the COM terminal is connected to a crossover terminal inside the connector housing, the connector cannot be switched between a positive common and a negative common by changing the connectors.

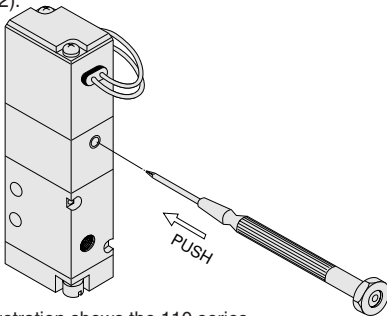


## Manual override

### Non-locking type

To operate the manual override, press it all the way down. The single solenoid valve works the same as when in the energized state as long as the manual override is pushed down, and returns to the normal position upon release.

For the double solenoid and twin solenoid valves, pressing the manual override on the 12(S1) side switches the 12(S1) to enter the energized position, and the unit remains in that state even after the manual override is released. To return it to the normal position, operate the manual override on the 14(S2) side. This is the same for the solenoid 14(S2).

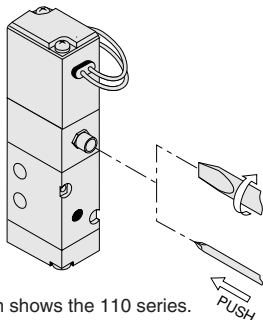


※ Illustration shows the 110 series.

### Locking protruding type

Use a small screwdriver to turn the adjusting knob several times in the clockwise direction, and lock the manual override in place. When locked, turning the adjusting knob several times in the counterclockwise direction releases a spring on the manual override, returns it to the normal position, and releases the lock.

For the locking protruding type, when the adjusting knob is not turned, this type acts just like the non-locking type, like the valve is the energized position as long as the manual override is pushed down, and it returns to the normal position upon release.



※ Illustration shows the 110 series.

**Cautions:** 1. The 110 series valves are internal pilot type solenoid valves. As a result, the manual override cannot switch the main valve without air supplied from the 1(P) port.

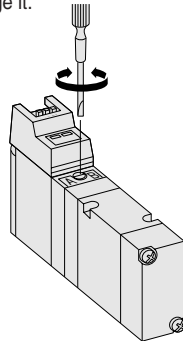
2. Always release the lock of the locking type and locking protruding type manual override before commencing normal operation.
3. Do not attempt to operate the manual override with a pin or other object having an extremely fine tip. It could damage the manual override button.
4. Do not turn the adjusting knob more than needed. It could result in defective operation.



## Manual override (Tandem solenoid)

### Locking type

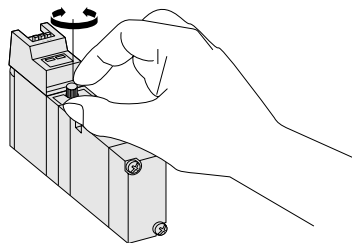
To lock the locking type manual override, use a small screwdriver to push down the manual override in all the way, then set the 0 position as the reference point and turn it in the clockwise direction as far as position A. This achieves the same conditions as when the 14(SA) side is energized, and the manual override is locked in place. For the 12(SB) side, turn it in the counterclockwise direction as far as position B. To release the lock, return the manual override to the 0 position. A spring mechanism returns the manual override to its normal position, and the lock is released. Care should be taken to avoid excessive turning of the manual override, which could damage it.



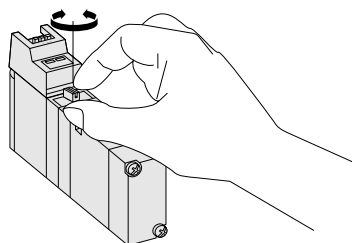
### Locking protruding type, locking manual lever type

To lock the locking protruding type manual override or locking manual lever type, use either a small screwdriver or your fingertips to push the manual override button (manual lever) all the way down, then set the 0 position as the reference point and turn it in the clockwise direction as far as position A. This achieves the same conditions as when the 14(SA) side is energized, and the manual override button (manual lever) is locked in place. For the 12(SB) side, turn it in the counterclockwise direction as far as position B. To release the lock, return the manual override button (manual lever) to the 0 position. A spring mechanism returns the manual override button (manual lever) to its normal position, and the lock is released. Care should be taken to avoid excessive turning of the manual override button (manual lever), which could damage it.

#### Locking protruding type manual override



#### Locking manual lever type



- Cautions:**
1. The 110 series valves are internal pilot type solenoid valves. As a result, the manual override cannot switch the main valve without air supplied from the 1(P) port.
  2. Always release the lock of the locking protruding type manual override before commencing normal operation.
  3. Do not attempt to operate the manual override with a pin or other object having an extremely fine tip. It could damage the manual override button.
  4. Do not turn the adjusting knob more than needed. It could result in defective operation.

### Mounting base 110-21

When installing a mounting base to the valve, always use the provided screws. The recommended tightening torque for the screws is 49N·cm {5kgf·cm} [4.3in·lbf].

### Mounting valves on manifold

When mounting valves on manifold, apply the recommended tightening torque of 39.2N·cm {4kgf·cm} [3.5in·lbf] for the valve mounting screws.



# PC Board Manifold 110 Series Specifications

## Manifold Basic Models and Specifications

Item	Basic model	Manifold function		1(P), 3(R2), 5(R1) manifolds	All port manifold	All port manifold with quick fittings
		Number of units	8 stations	110M8FP	110M8AP	110M8AJP
			16 stations	110M16FP	110M16AP	110M16AJP
Type of mounting valve	2-, 3-port			110E1	A110E1	
	5-port, single solenoid			110-4E1	A110-4E1	
	5-port, double solenoid			110-4KE2	A110-4KE2	
	5-port, 3-position			113-4E2	A113-4E2	
				113-4KE2	A113-4KE2	
Wiring type	Connector for flat cable (AWG 28) <sup>Note1</sup> : With short clip (standard) With long clip (optional) <sup>Note2</sup>					
Common wiring	Positive common (standard) Negative common (optional: <b>-CM</b> ) <sup>Note 2</sup>					
Operating temperature range (atmosphere and media)	°C [°F]		5~50 [41~122]			
Shock resistance	m/s <sup>2</sup> {G}		294.2 {30.0}			
Mounting direction	Any					

Notes: 1. For details about specifications, see the specifications of the connector for the flat cable.  
2. For order codes, see p.324.

## Solenoid Valve Specifications

Item	Basic model	FP type manifold	110E1	110-4E1	110-4E2	110-4KE2	113-4E2	113-4KE2
		AP, AJP type manifolds	A110E1	A110-4E1	A110-4E2	A110-4KE2	A113-4E2	A113-4KE2
Media	Air							
Operation type	Internal pilot type							
Effective area [Cv]	mm <sup>2</sup>		4.2{0.23}		3.8{0.21}			
Lubrication	Not required							
Operating pressure range	MPa[kgf/cm <sup>2</sup> ][psi.]		0.15~0.7 {1.5~7.1} [22~102]					
Proof pressure	MPa[kgf/cm <sup>2</sup> ][psi.]		1.05 {10.7} [152]					
Response time <sup>Note</sup> ON/OFF	ms		15/20 or below		20 or below		15/30 or below	
Maximum operating frequency	Hz		5					
Minimum time to energize for self holding	ms		—		50		—	

Note: Values when air pressure is 0.5MPa [5.1kgf/cm<sup>2</sup>] [73psi.]. The values for □110-4E2 are when switching from the opposite position, while the valves for □113-4E2 are those of the closed center valve, when switching from the neutral position.

## Solenoid Specifications

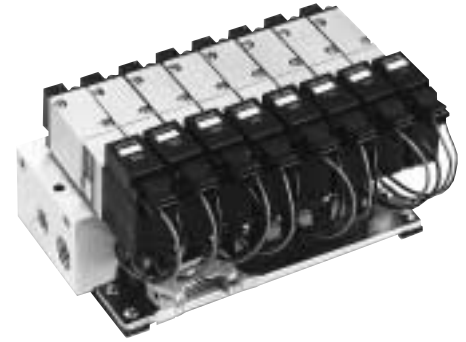
Item	Rated voltage	DC12V		DC24V		
		Type	Flywheel diode incorporated for surge suppression			
Operating voltage range	DC V	10.8~13.2 (12±10%)		21.6~26.4 (24±10%)		
Current (when rated voltage is applied)	mA	140 (1.7W)		75 (1.8W)		
Allowable leakage current	mA	8		4		
Insulation resistance	MΩ	Over 100				
Wiring type	Plug connector type Straight connector <b>-PSL</b> : With dedicated lead wire for PC board connection, with connector					
Color of lead wire	Red (+), Black (-)					
Color of LED indicator	Red					

## Specifications of Connector for Flat Cable

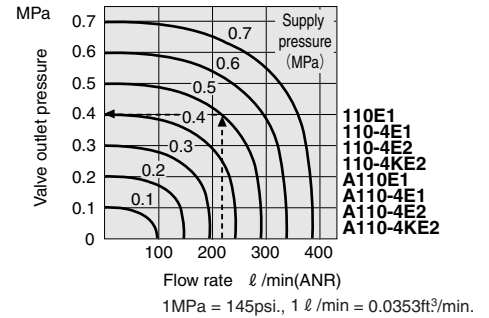
Order code	Item	Header	Socket <sup>Note</sup>	Strain relief <sup>Note</sup>	Standard
Blank	Box type, with short clip (Part number: 3662-5002SCSC)		Open end type, with nose (Part number: 7910-6500SC)	—	MIL-C-83503 conformity (made by Sumitomo 3M Ltd.)
-LC	Box type, with long clip (Part number: 3662-5002LCSC)			Included (Part number: 3448-7910J)	

Remark: Regarding the units with center slots (grooves), note that there is no key groove for the prevention of erroneous insertion.

Note: Included at shipping.

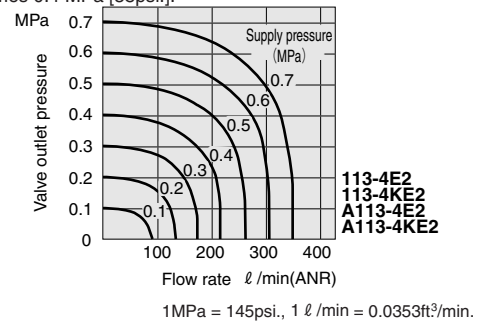


## Flow Rate



### How to read the graph

When the supply pressure is 0.5MPa [73psi.] and the flow rate is 210 l/min [7.41ft<sup>3</sup>/min.] (ANR), the valve outlet pressure becomes 0.4 MPa [58psi.].



## Manifold Connection Port Size

Manifold model	Port	Location of piping ports	Port size
110M□FP	1(P)	Manifold	Rc1/8
	4(A), 2(B)	Valve	M5×0.8 <sup>Note</sup>
	3(R2), 5(R1)	Manifold	Rc1/8
110M□AP	1(P)	Manifold	Rc1/8
	4(A), 2(B)		Rc1/4
	3, 5(R)		M5×0.8
	PR		
110M□AJP	1(P)	Manifold	Rc1/8
	4(A), 2(B)		Quick fitting for φ4 or φ6
	3, 5(R)		Rc1/4
	PR	M5×0.8	

Note: When the mounting valve is a female thread specification, the ports are this size. For the built-in quick fitting type, quick fittings for φ4 are installed.

## Mass

g [oz.]

Manifold model	Manifold mass	Mounting valve mass				Block-off plate
		□110E1	□110-4E1	□110-4E2	□113-4E2	
110M8FP	240 [8.47]	80	80	125	145	6
110M16FP	450 [15.87]	[2.82]	[2.82]	[4.41]	[5.11]	[0.21]
110M8AP	590 [20.81]	85	85	130	150	11
110M16AP	1120 [39.51]	[3.00]	[3.00]	[4.59]	[5.29]	[0.39]
110M8AJP	590+(7×n <sub>1</sub> )+(4×n <sub>2</sub> ) [20.81+(0.25×n <sub>1</sub> )+(0.14×n <sub>2</sub> )]	85	85	130	150	11
110M16AJP	1120+(7×n <sub>1</sub> )+(4×n <sub>2</sub> ) [39.51+(0.25×n <sub>1</sub> )+(0.14×n <sub>2</sub> )]					

Remark: n<sub>1</sub> is the total number of stations with -J4, while n<sub>2</sub> is the total number with -J6.

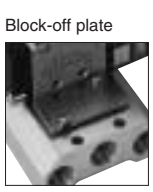
# PC Board Manifold 110 Series Order Codes

Common wiring	Connector	2-, 3-port valve	3-position valve	Port fitting specifications	Manual override	Manifold Connection port	Wiring type
Positive common  Blank	With short clip  Blank	Number of ports 3-port  Blank	Valve function Closed center  Blank	Quick fittings for φ 4 tube  -J41	Non-locking type  Blank	Quick fittings for φ 4 tube  -J4	Straight connector with LED indicator  -PSL
Negative common  -CM	With long clip  -LC	2-port  -2	Exhaust center  -13	A port of 110E1  -J42	Locking protruding type  -83	Quick fittings for φ 6 tube  -J6	
		Valve function Normally closed (NC)  Blank	Pressure center  -14	A, B ports of 5-port  -J42			
		Normally open (NO)  -11					

Manifold model		Number of units		Station	Basic model	Port fitting	Manual override	Manifold Connection port	Wiring type	Voltage	
PC board manifold for combination mounting of 2-, 3-, 5-port valves	110M	8	16	stn. □ stn. □ stn. □ stn. □ stn. □ stn. □	-110E1	-2,-11	-J41	-83	-PSL	DC12V DC24V	
					-110-4E1		-J42				
					-110-4E2						
					-110-4KE2						
					-113-4E2	-13					
					-113-4KE2	-14					
	110M	8	16	stn. □ stn. □ stn. □ stn. □ stn. □ stn. □	-A110E1	-2,-11			-83	-J4 -J6	-PSL
					-A110-4E1						
					-A110-4E2						
					-A110-4KE2						
					-A113-4E2	-13					
					-A113-4KE2	-14					

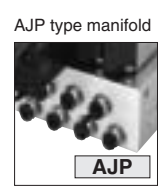
- Remark : □110E1 is 3-port, and normally closed (NC) as the standard. For □113-4E2, a closed center is standard.
- Mounting position from the left-hand side when facing the 4(A), 2(B) ports.
  - Since the twin solenoid valve requires 2 stations per valve to mount, the second station (solenoid S1 side) should be blank.
  - When selecting □110-4E2 or □113-4E2, always enter -BP for the next station.
  - Specify the valve model for each station.
  - Enter -BP when closing a station with a block-off plate without mounting a valve.
  - 110-4E2 and □113-4E2 cannot be used for the last station.
  - When mounting □110-4E2 or □113-4E2, always enter -BP for the next station.
  - For the AJP type manifold only.

## Additional Parts (To be ordered separately)



●110 M [F]-BP  
F — For FP type manifold  
A — For AP, AJP type manifolds

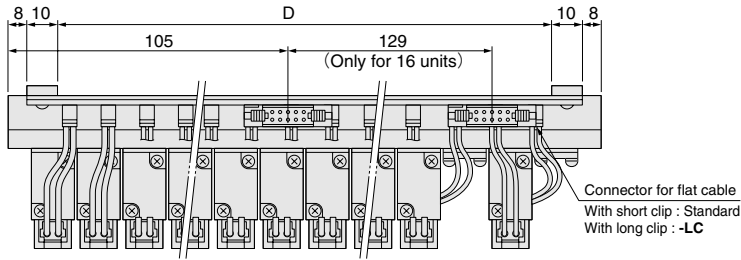
## Made to Order



SOLENOID VALVES 110 SERIES

# Dimensions (mm)

110M8FP  
110M16FP

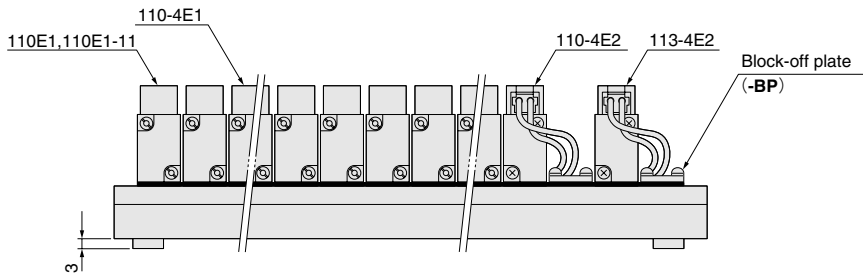
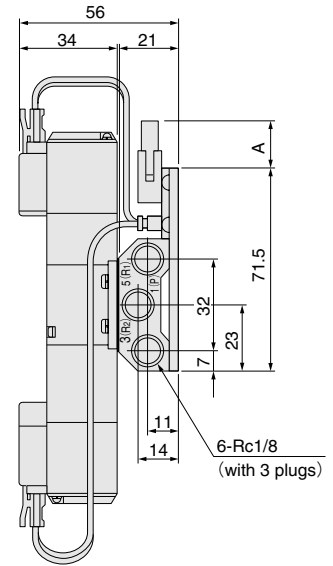
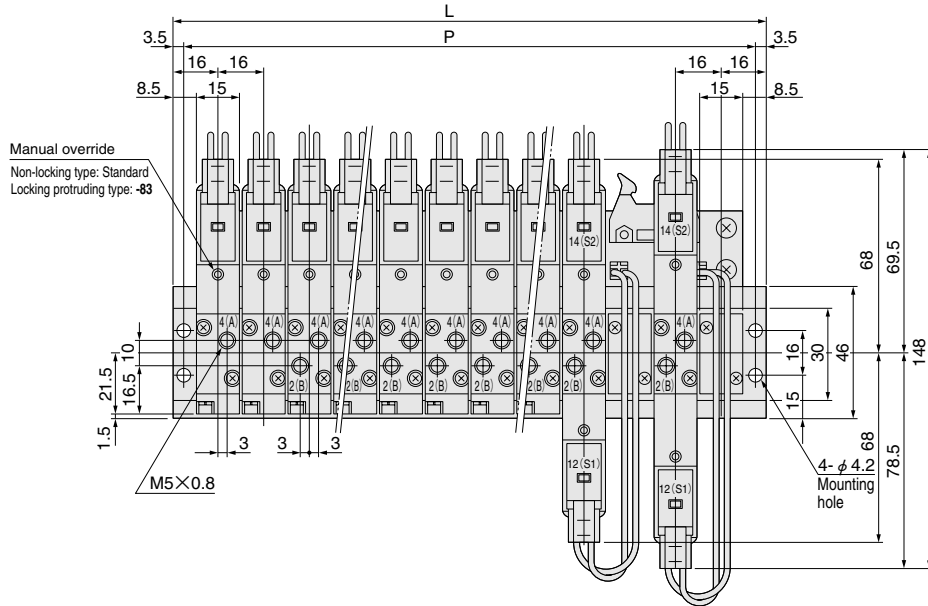


# Unit dimensions

Model	L	P	D
110M8FP	144	137	108
110M16FP	272	265	236

# Option dimensions

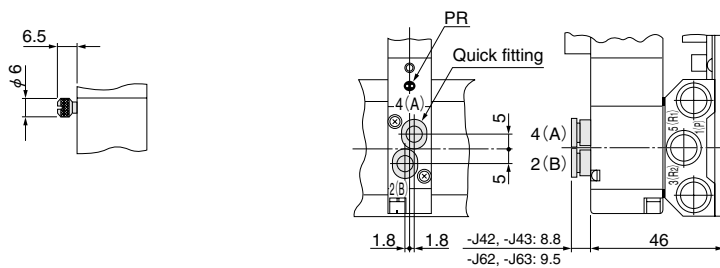
Model	A
Short clip	12.5
Long clip	15.5



# Options

● Locking protruding type manual override: -83

● With quick fittings: -J41 (A port with fitting)  
-J42 (A, B ports with fittings)  
The drawing shows the -J42 specification.



Note: PR is on the side with the 4(A), 2(B) ports.

## Dimensions (mm)

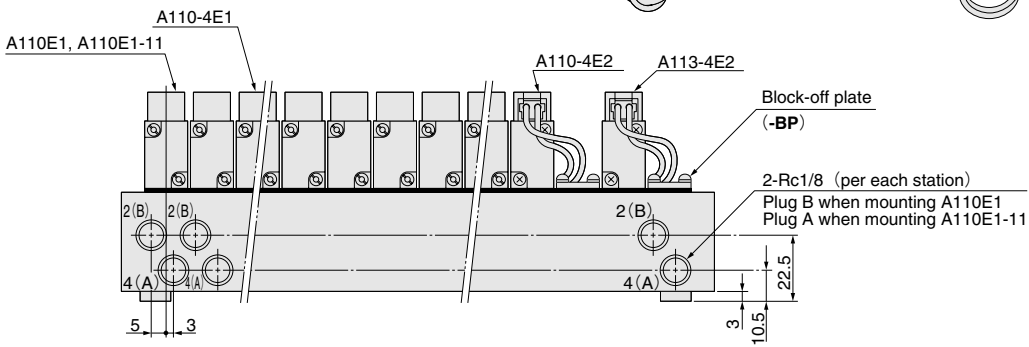
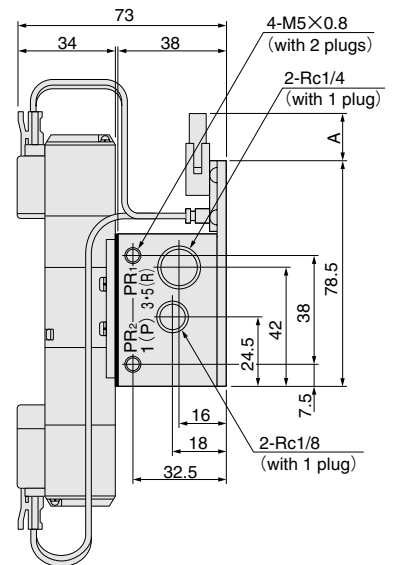
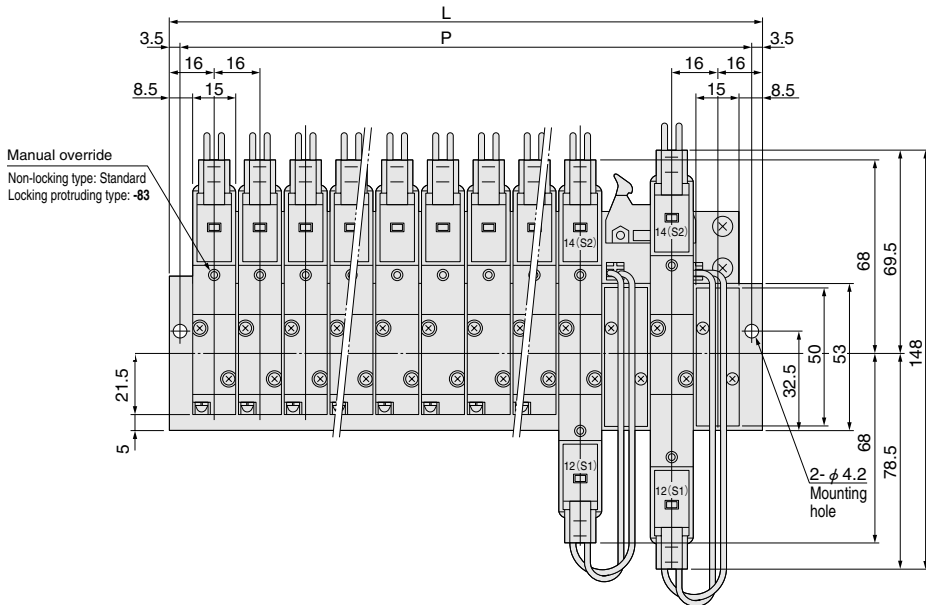
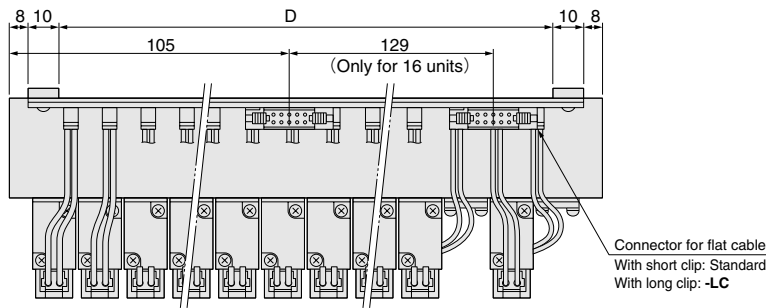
110M8AP  
110M16AP

## Unit dimensions

Model	L	P	D
110M8AP	144	137	108
110M16AP	272	265	236

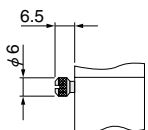
## Option dimensions

Model	A
Short clip	12.5
Long clip	15.5



## Option

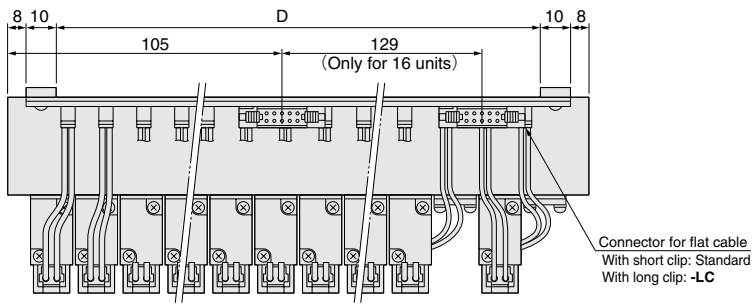
- Locking protruding type manual override: -83



## Dimensions (mm)

### 110M8AJP

### 110M16AJP

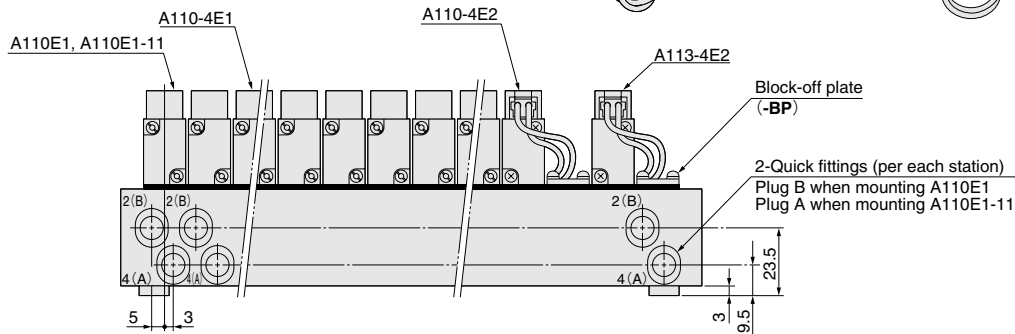
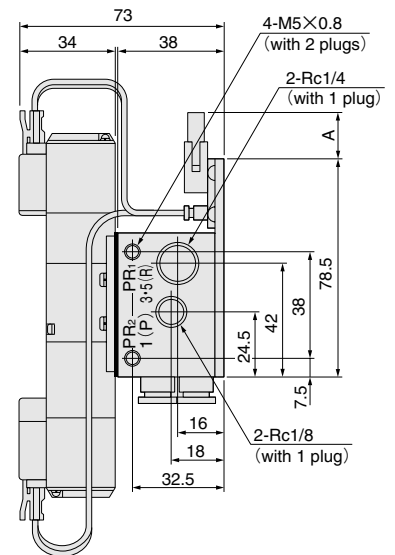
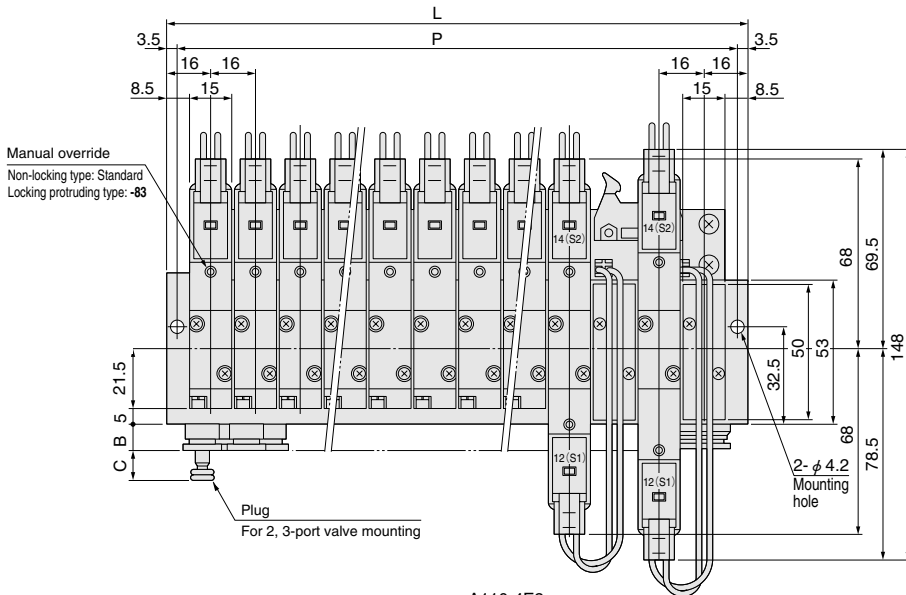


## Unit dimensions

Model	L	P	D
110M8AJP	144	137	108
110M16AJP	272	265	236

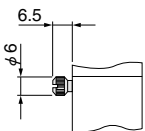
## Option dimensions

Model	A	B	C
Short clip	12.5	—	—
Long clip	15.5	—	—
Quick fitting for $\phi$ 4 tube	—	6.8	16.7
Quick fitting for $\phi$ 6 tube	—	7.5	21.1



## Option

- Locking protruding type manual override: -83



# Handling Instructions and Precautions (PC Board Manifold)

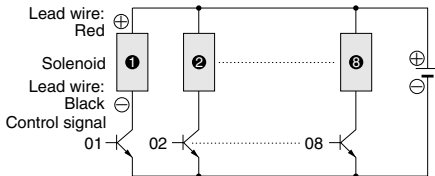


Solenoid

## Circuit configurations

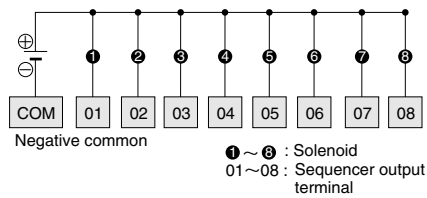
### ● For positive common type (standard)

Operation example



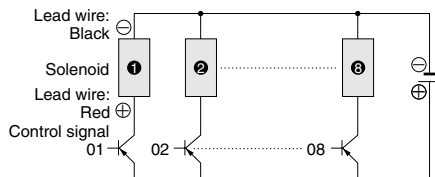
Correspondence to sequencer

Output module is negative common type.



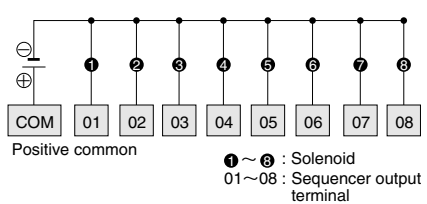
### ● For negative common type (optional: -CM)

Operation example



Correspondence to sequencer

Output module is positive common type.

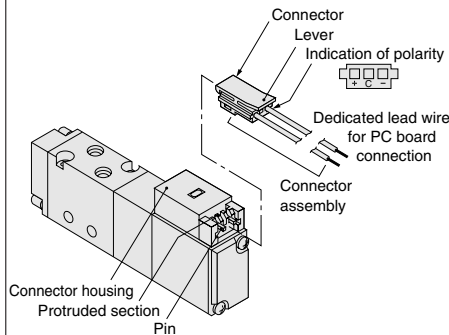


Plug connector

## Attaching and removing plug connector

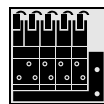
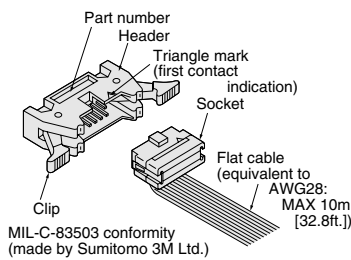
Use fingers to insert the connector into the pin, push it in until the lever claw latches onto the protruded section of the connector housing, and complete the connection.

To remove the connector, squeeze the lever along with the connector, lift the lever claw up from the protruded section of the connector housing, and pull it out.



- Cautions:**
1. Do not pull hard on the lead wire. It could result in defective contacts, breaking wires, etc.
  2. If the pin is bent, use a small screwdriver, etc. to gently straighten out the pin, and then complete the connection to the plug connector.

## Connector for flat cable



Manifold

## Print circuit board

Avoid using in the locations listed below, as it may result in deterioration of the print circuit board or a short circuit in the wiring. If use in such conditions is unavoidable, always provide a cover or other adequate protective measures.

1. Locations subject to high levels of dust or oil mists
2. Locations subject to salt, corrosive gases, or conductive particles
3. Locations directly subject to condensation, direct sunlight, or other weather effects

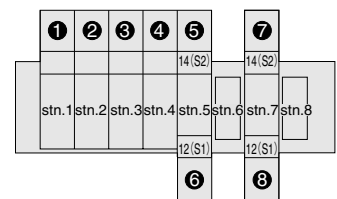
## Combination mounting for different type of valves

In the 110 series manifold for combination mounting of 2-, 3-, 5-port, and the PC board manifold for combination mounting of 2-, 3-, 5-port, single solenoids can be mounted together with double solenoids, or with twin solenoids, and a total number of up to 8 or 16 solenoids can be mounted.

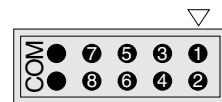
In this case, observe the following precautions:

1. Always use a block-off plate (-BP) to close the next right station (the side with the higher numbered station) of the double solenoid valve mounting station.
2. When using block-off plates (-BP) for some reason other than item 1, place them together on the higher numbered stations side.
3. Connector pin numbers are allocated to stations in order from the left end of the manifold. For a double solenoid mounting, the upper pins are allocated to 14(S2) and the lower ones to 12(S1), with the upper 14(S2) numbers being the smaller pin numbers. And for a twin solenoid mounting, the left side is allocated to 14(S2) and the right side allocated to 12(S1), with the left side 14(S2) numbers being the smaller pin numbers.

Example of 4 single solenoid valves and 2 double solenoid valves installation on an 8 unit manifold:

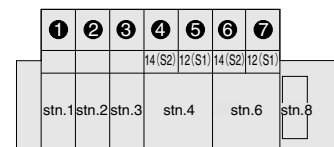


Connector pin location of 8 units:



Remark: The standard is positive common wiring. Negative common wiring is optional (-CM).

Example of 3 single solenoid valves and 2 double solenoid valves installation on an 8 unit manifold:



Connector pin location of 8 units:



Remark: The standard is positive common wiring. Negative common wiring is optional (-CM).

